

Montageanleitung

Gartenhäuser



www.weka-holzbau.com

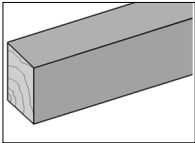
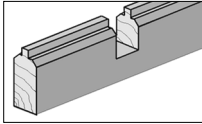
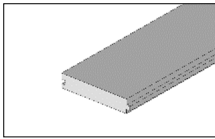
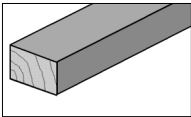
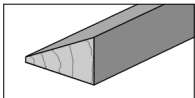
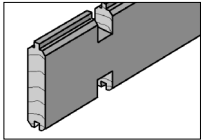
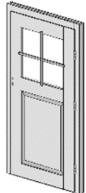
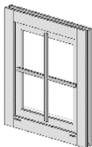
DE

**GEBRAUCHS- UND
WARTUNGSANLEITUNG**

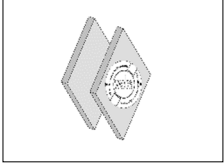
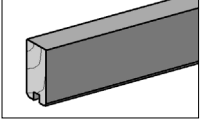
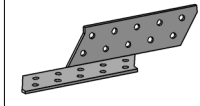
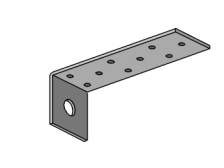
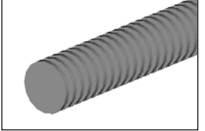

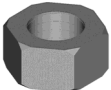
T2-20.02

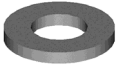


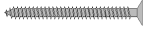



Stand: 2117



| Pos | Bild | Abmessung | Bemerkung |
|-----|---|----------------------------------|----------------------------------|
| ① |  | 50 / 70 | |
| ② |  | 21 / 63 28 / 63 45 / 63 | 21mm WS 28 mm WS 45 mm WS |
| ③ |  | 19,5 / 121 | |
| ④ |  | 15 / 25 | |
| ⑤ |  | 28 / 45 | |
| ⑥ |  | 21 / 121 28 / 121 45 / 121 | 21 mm WS 28 mm WS 45 mm WS |
| ⑦ |  | | |
| ⑧ |  | | |

| Pos | Bild | Abmessung | Bemerkung |
|-----|---|------------|-----------|
| 9 |  | 11 / 58 | |
| 10 |  | | |
| 11 |  | | |
| 12 |  | 45 / 146 | |
| 13 |  | 19,5 / 121 | |
| 14 |  | 18,5 / 96 | |
| 15 |  | 18,5 / 146 | |
| 16 |  | 18,5 / 58 | |

| Pos | Bild | Abmessung | Bemerkung |
|-----|---|------------------|-----------|
| 17 |  | 18,5 / 160 / 260 | |
| 18 | - | - | - |
| 19 |  | | |
| 20 |  | | |
| 21 |  | 40 / 40 / 140 | |
| 22 |  | M8 | |
| 23 |  | | |
| 24 |  | M8 | |

| Pos | Bild | Abmessung | Bemerkung |
|-----|---|-----------|----------------------------------|
| 25 |  | | |
| 26 |  | 5,0 x 120 | |
| 27 |  | 5,0 x 80 | |
| 28 |  | 4,0 x 40 | |
| 29 |  | 3,5 x 35 | |
| 30 |  | 5,0 x 20 | 21 mm WS 28 mm WS 45 mm WS |
| 31 |  | 22 x 55 | |
| 32 | - | - | - |

| Pos | Bild | Abmessung | Bemerkung |
|-----|---|-----------|---|
| 33 |  | |  |
| 34 |  | 16 x 30 | |

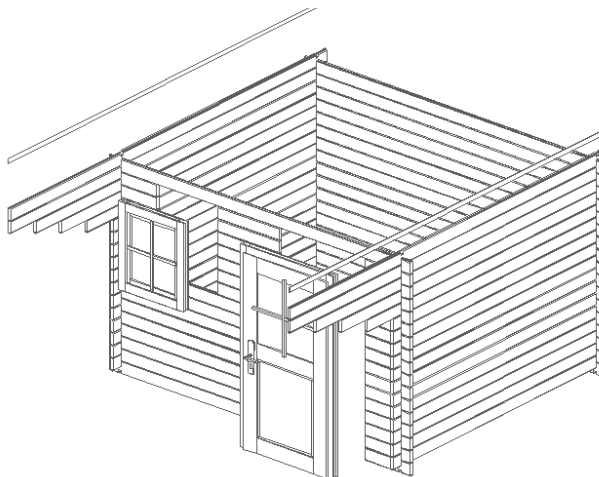
Dachmontage



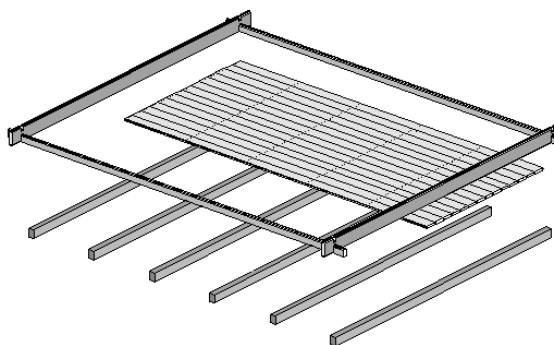
Giebelmontage

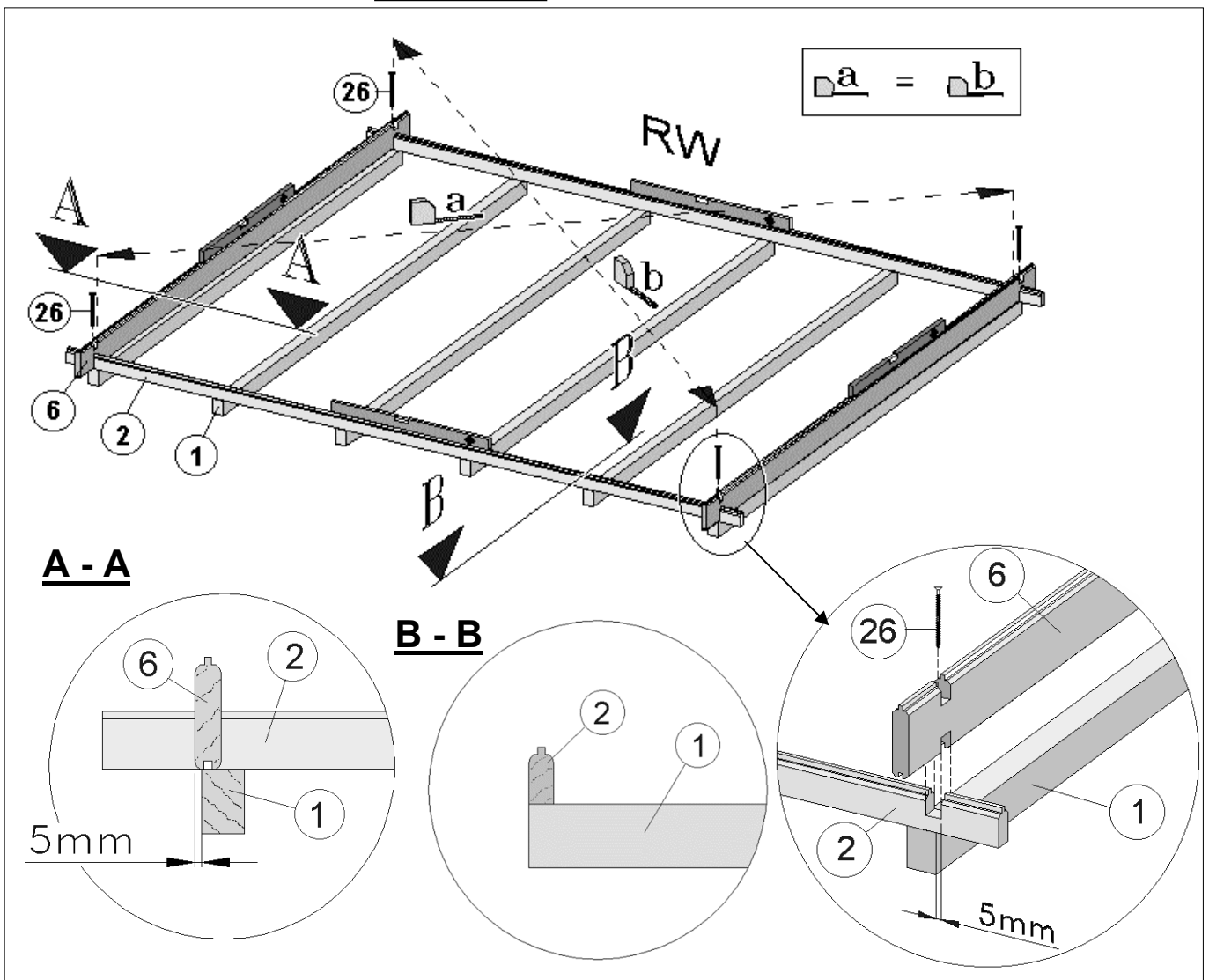


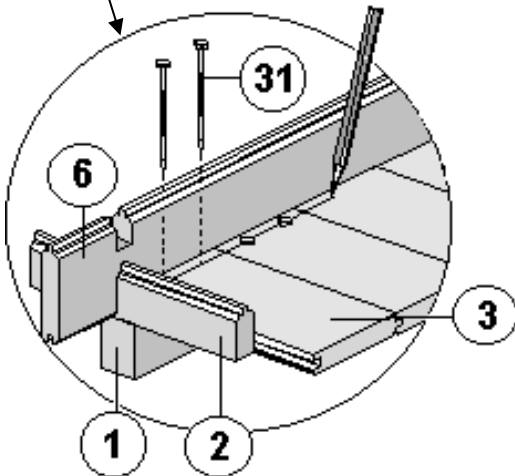
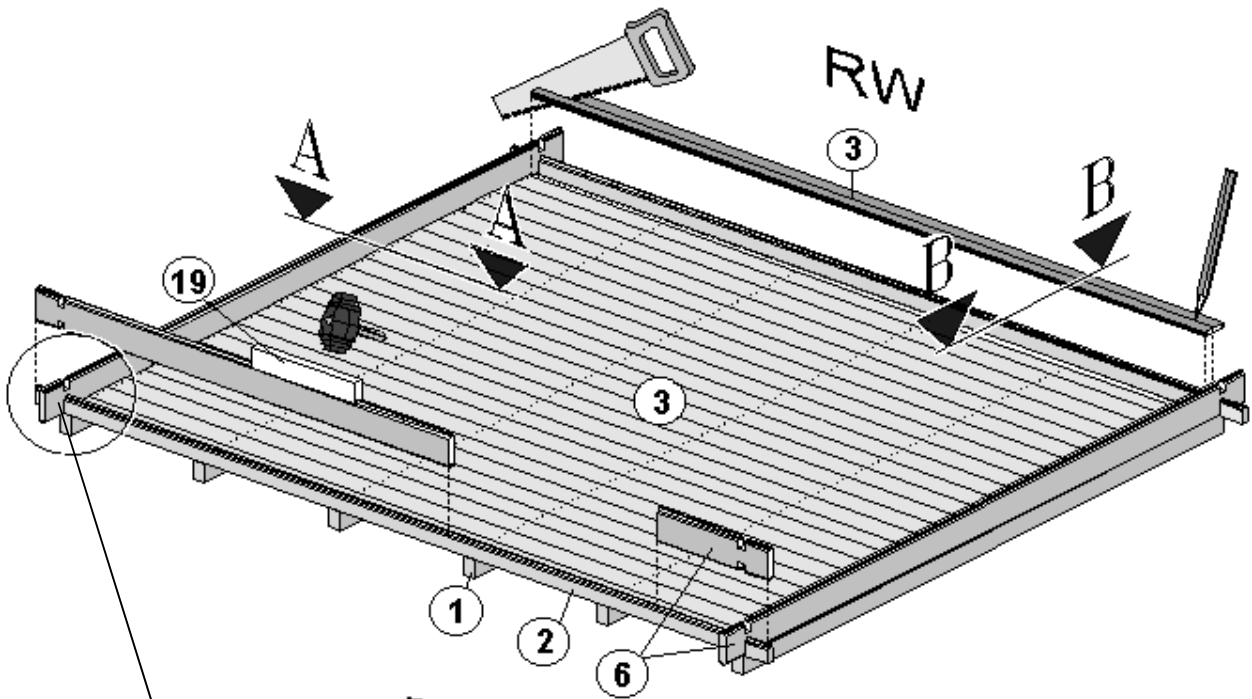
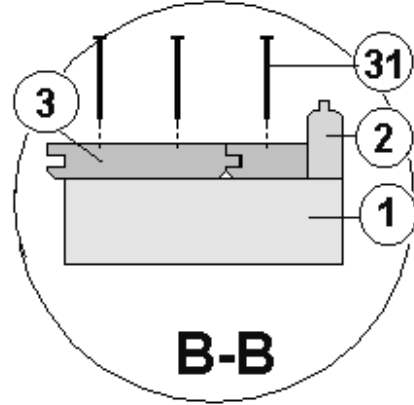
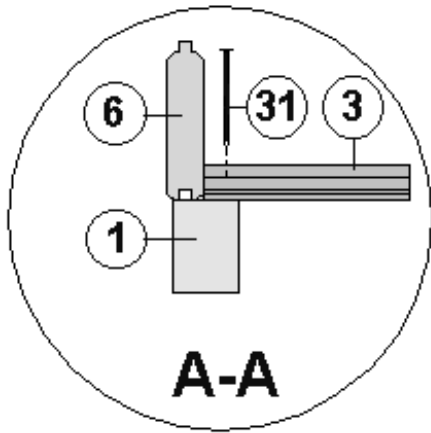
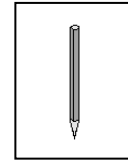
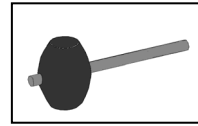
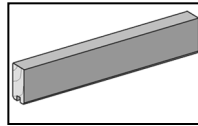
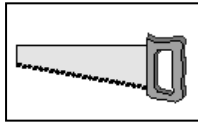
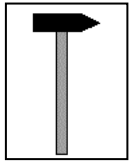
Wandmontage

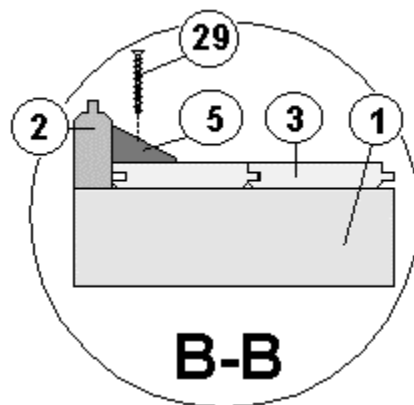
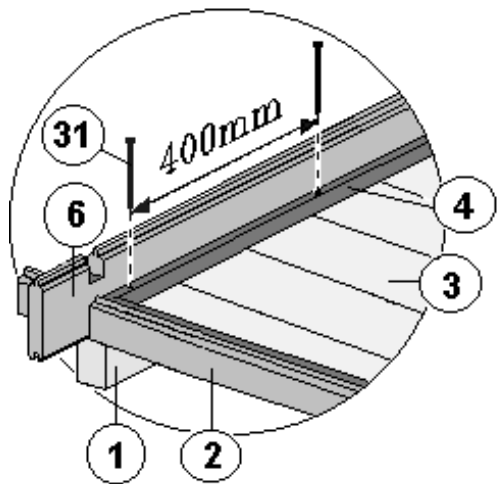
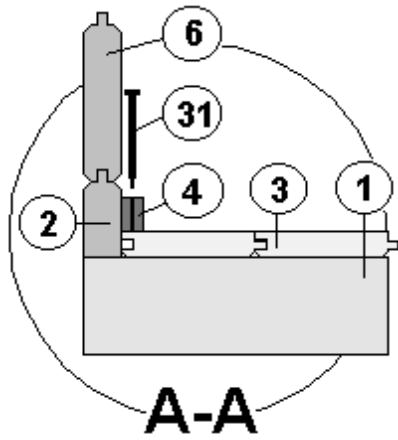
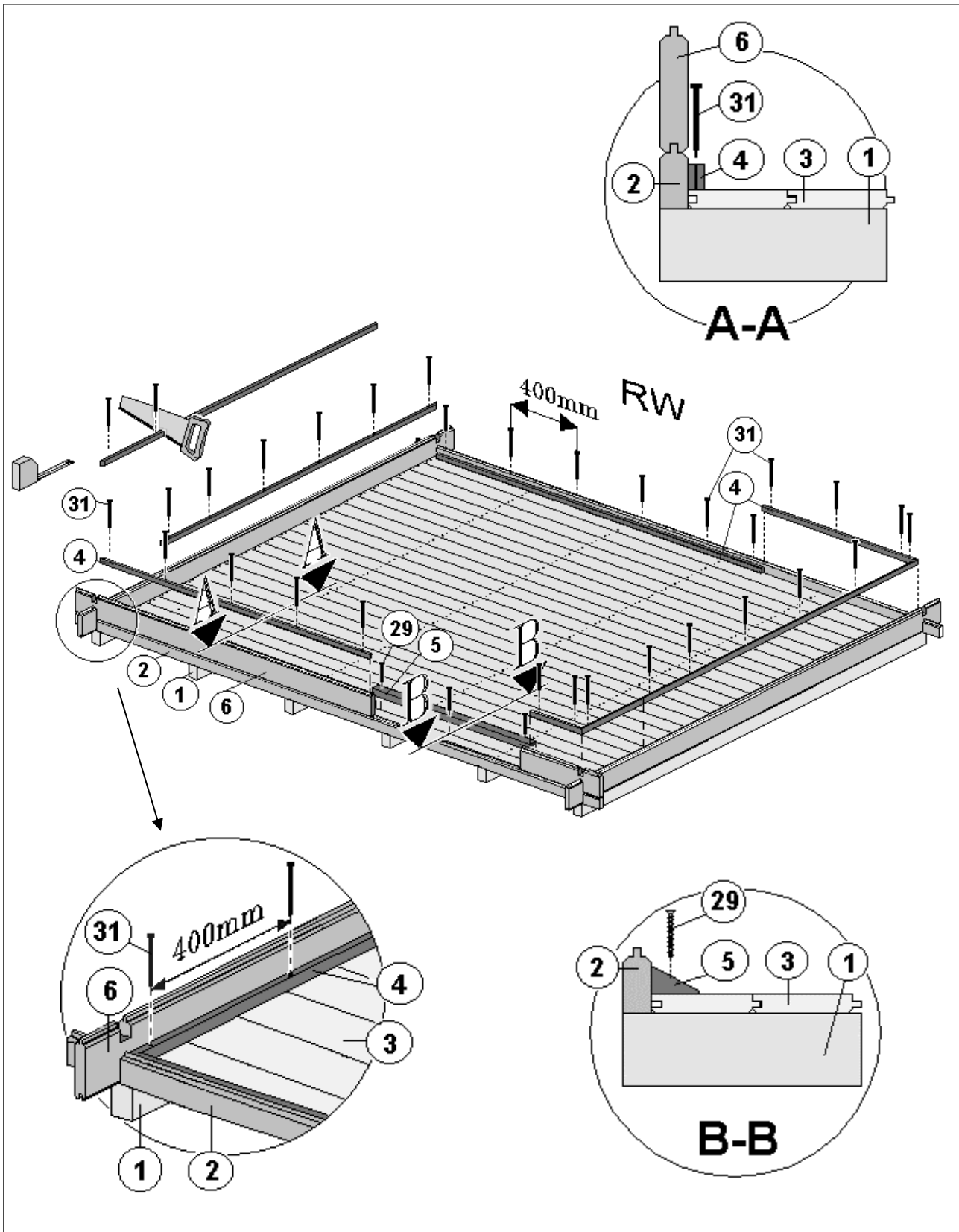
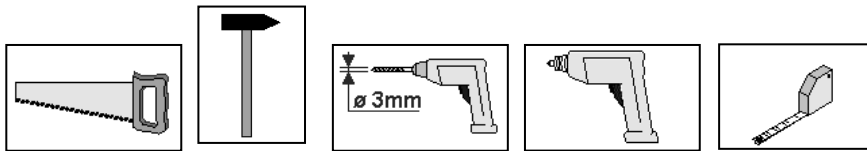


Fußbodenmontage

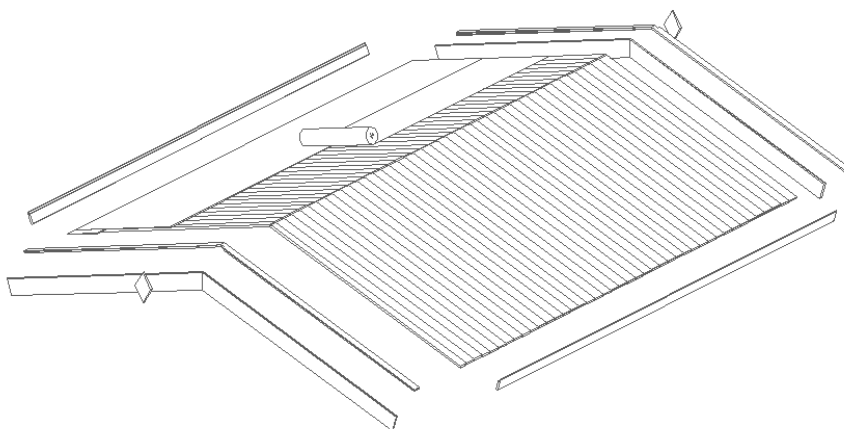




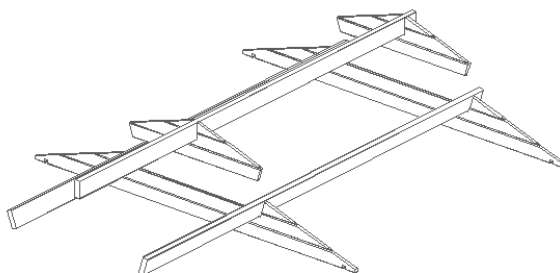




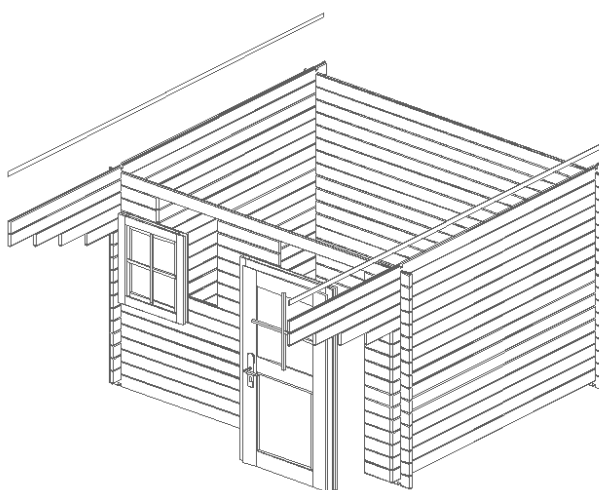
Dachmontage



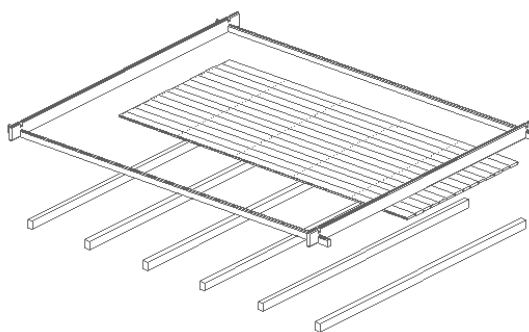
Giebelmontage

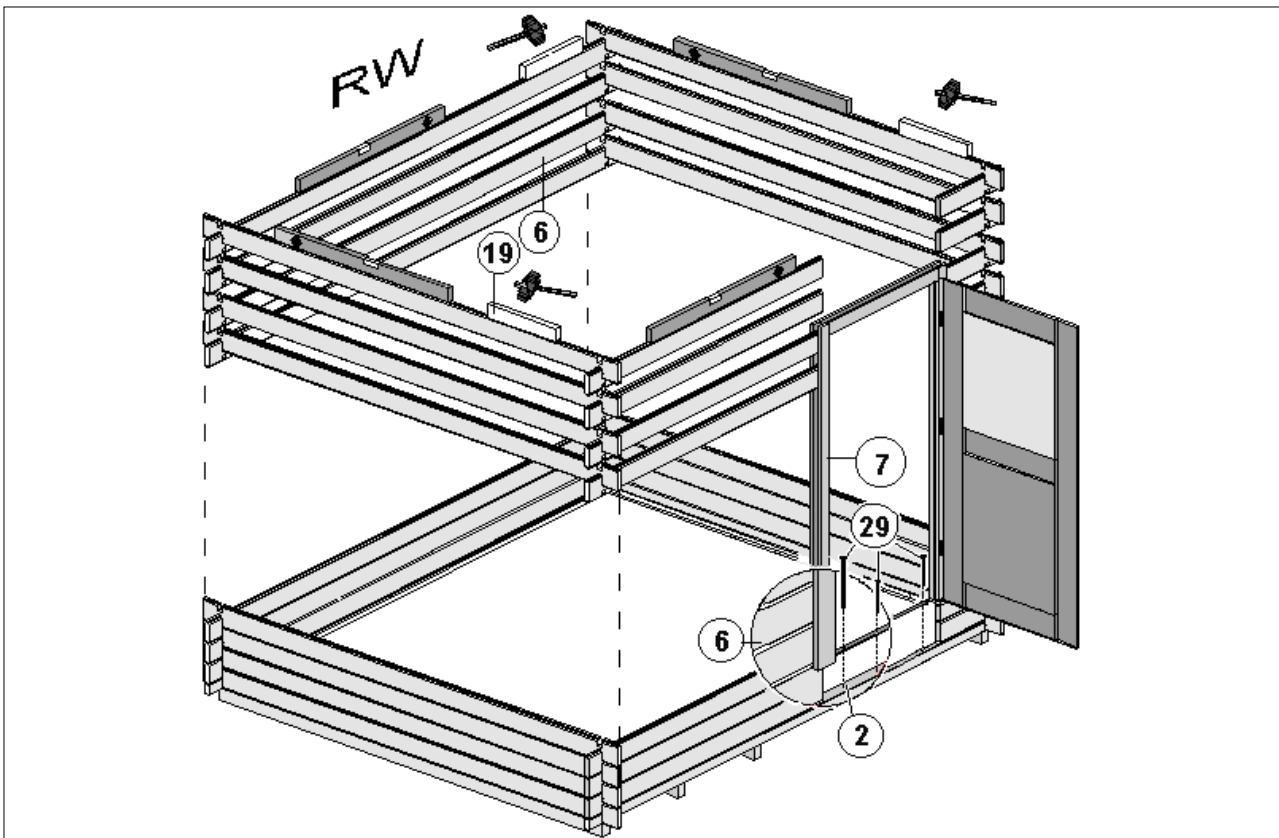
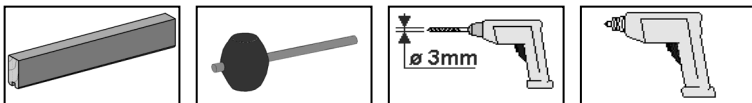
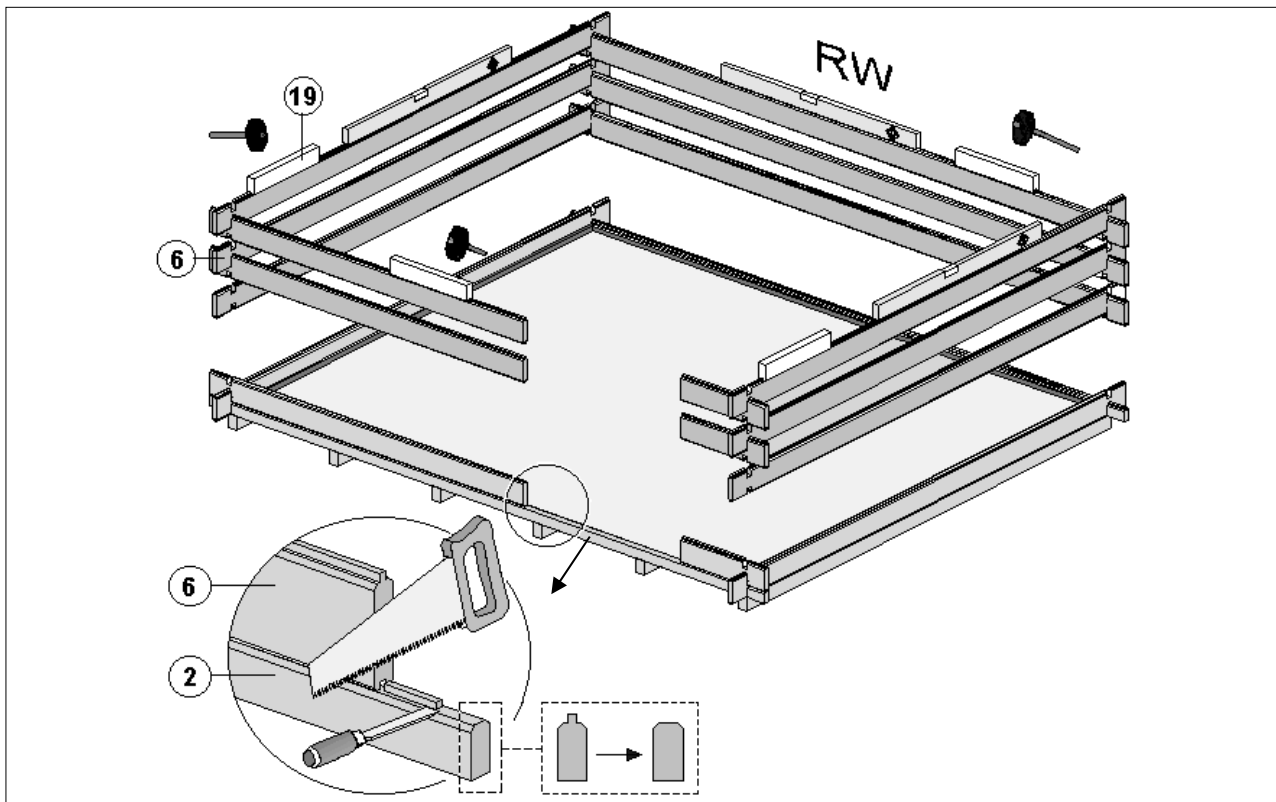
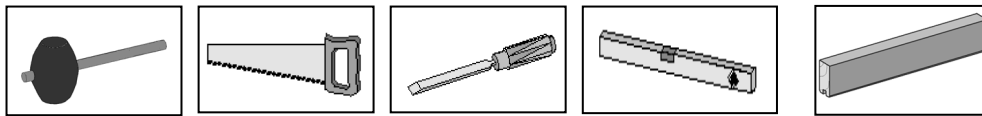


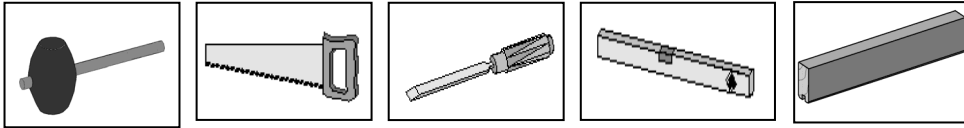
Wandmontage



Fußbodenmontage







Dachmontage



Giebelmontage

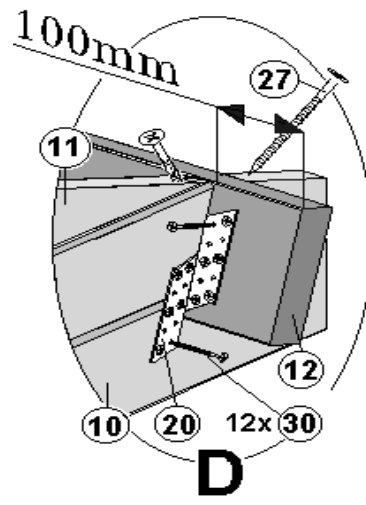
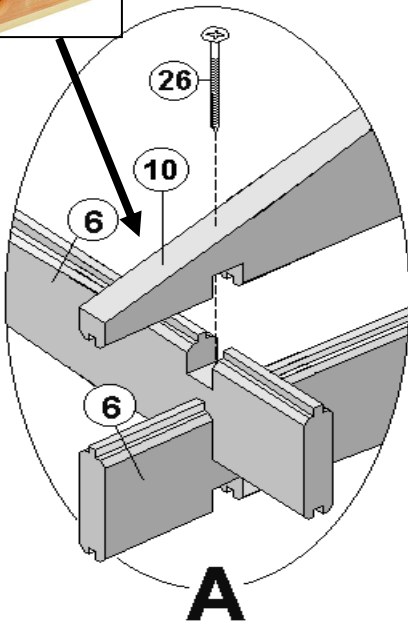
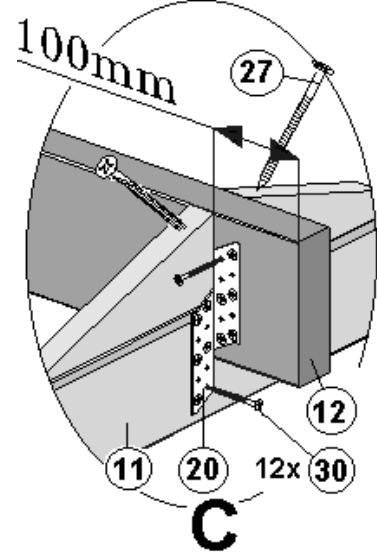
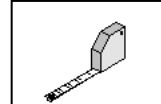
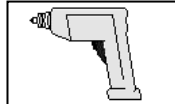
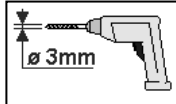
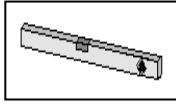


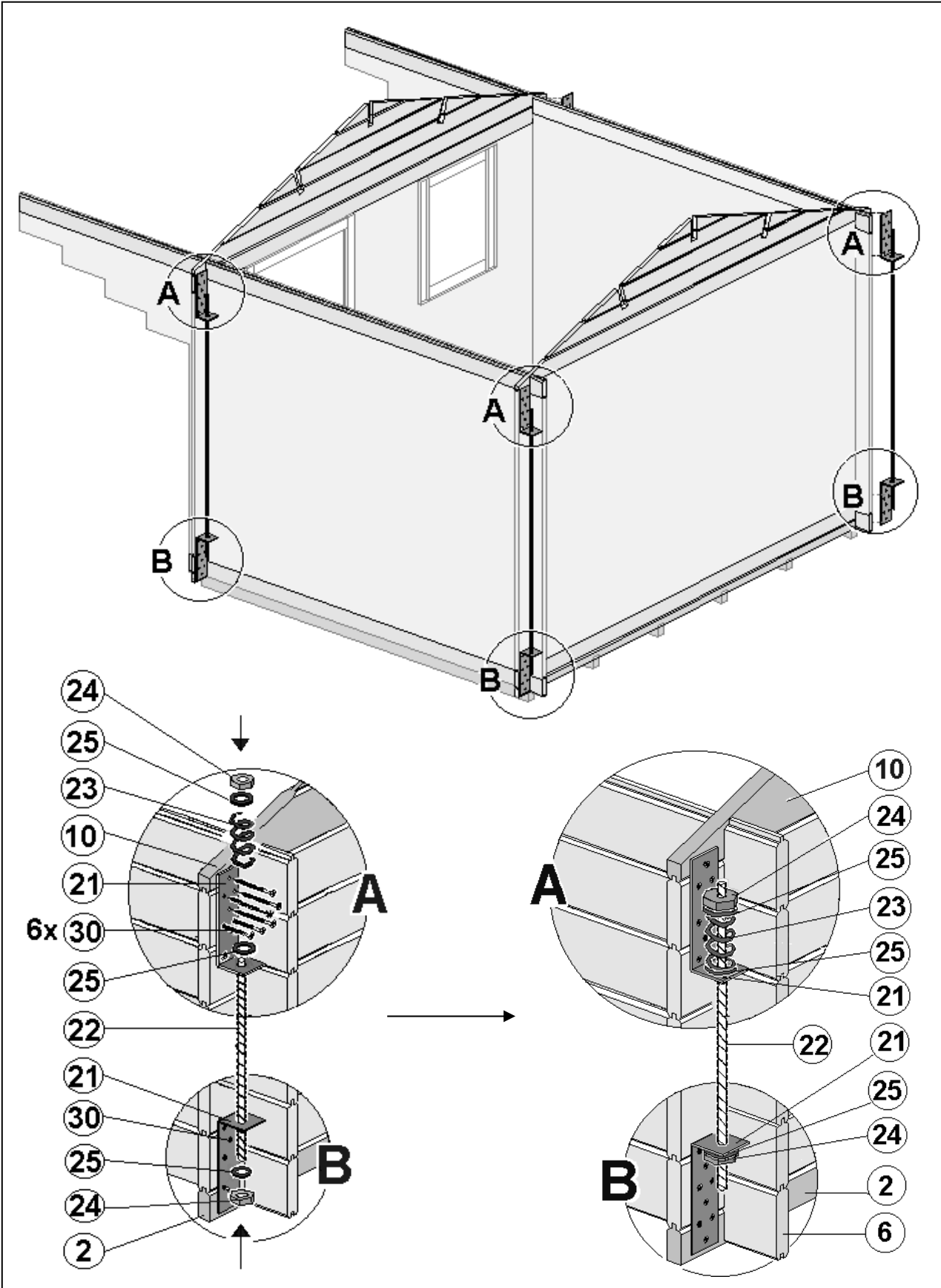
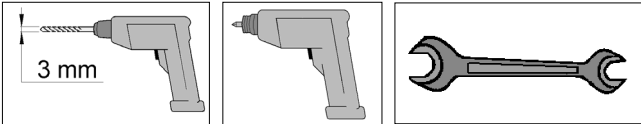
Wandmontage



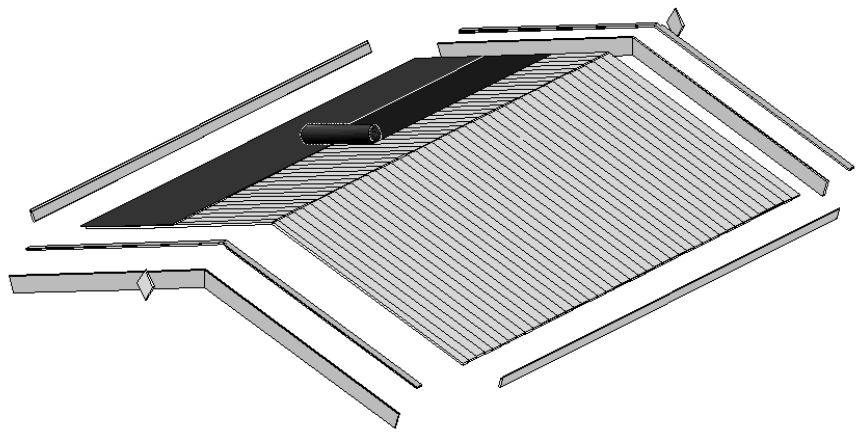
Fußbodenmontage



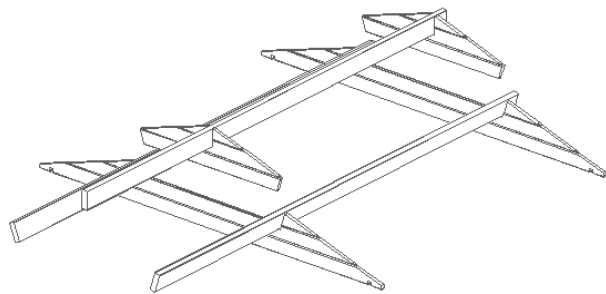




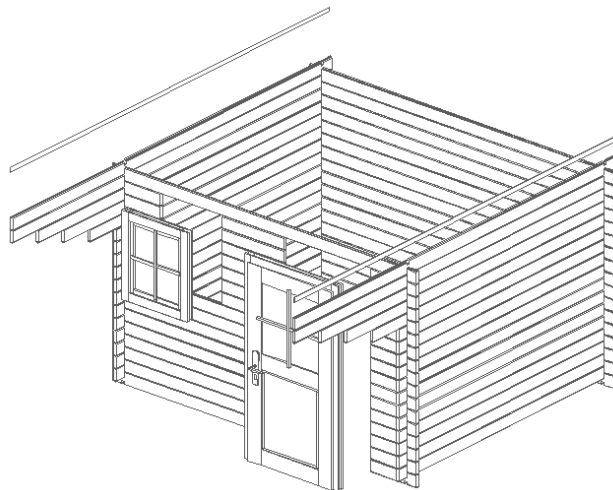
Dachmontage



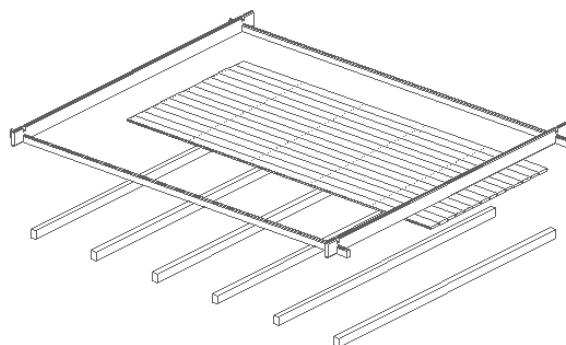
Giebelmontage

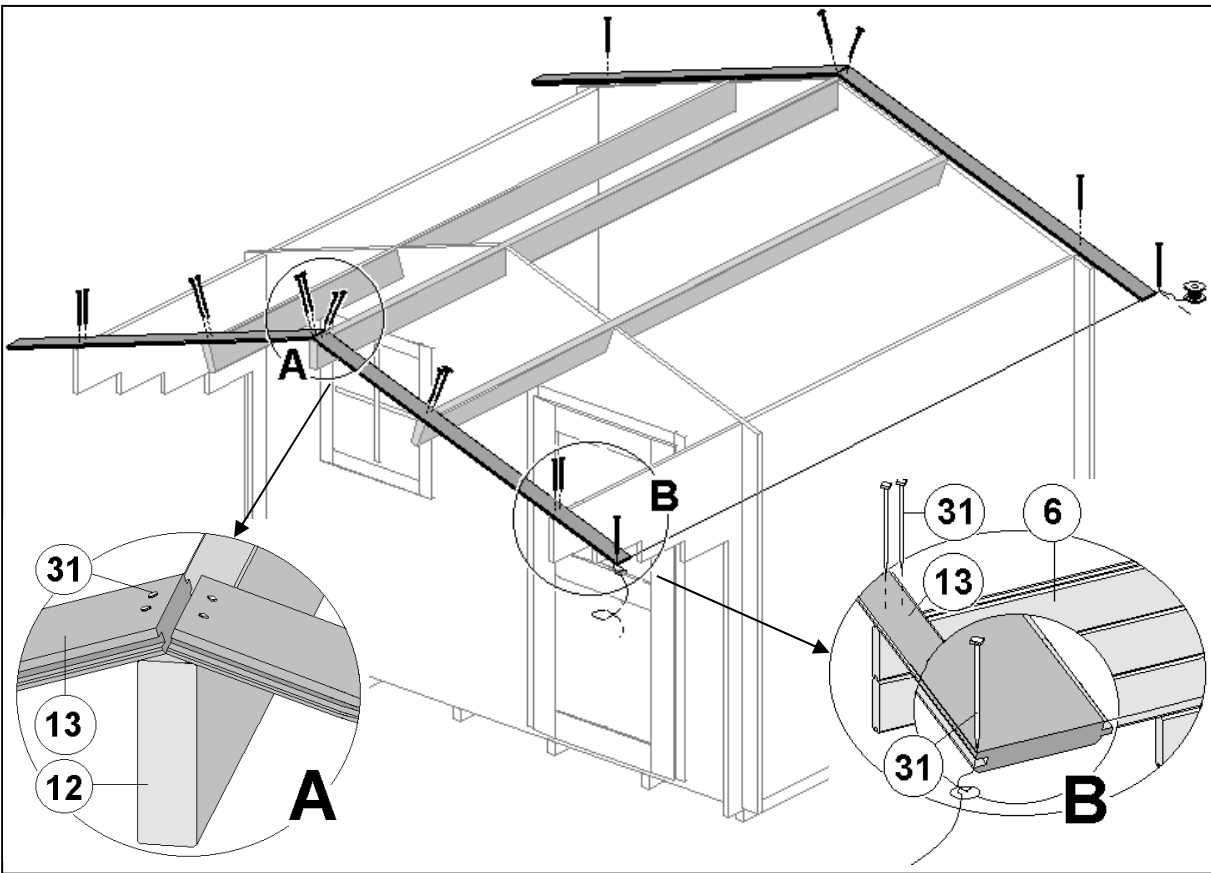
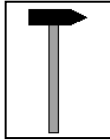
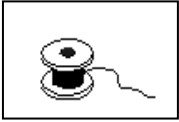


Wandmontage

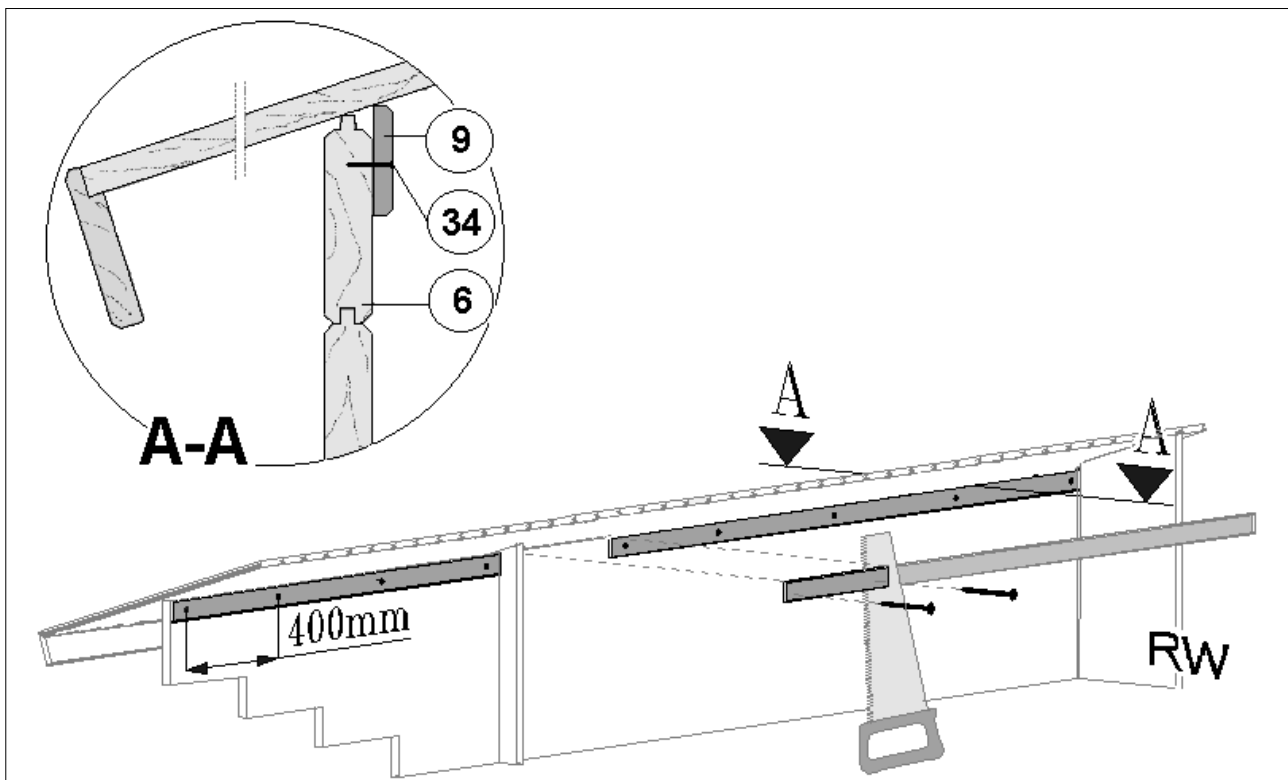
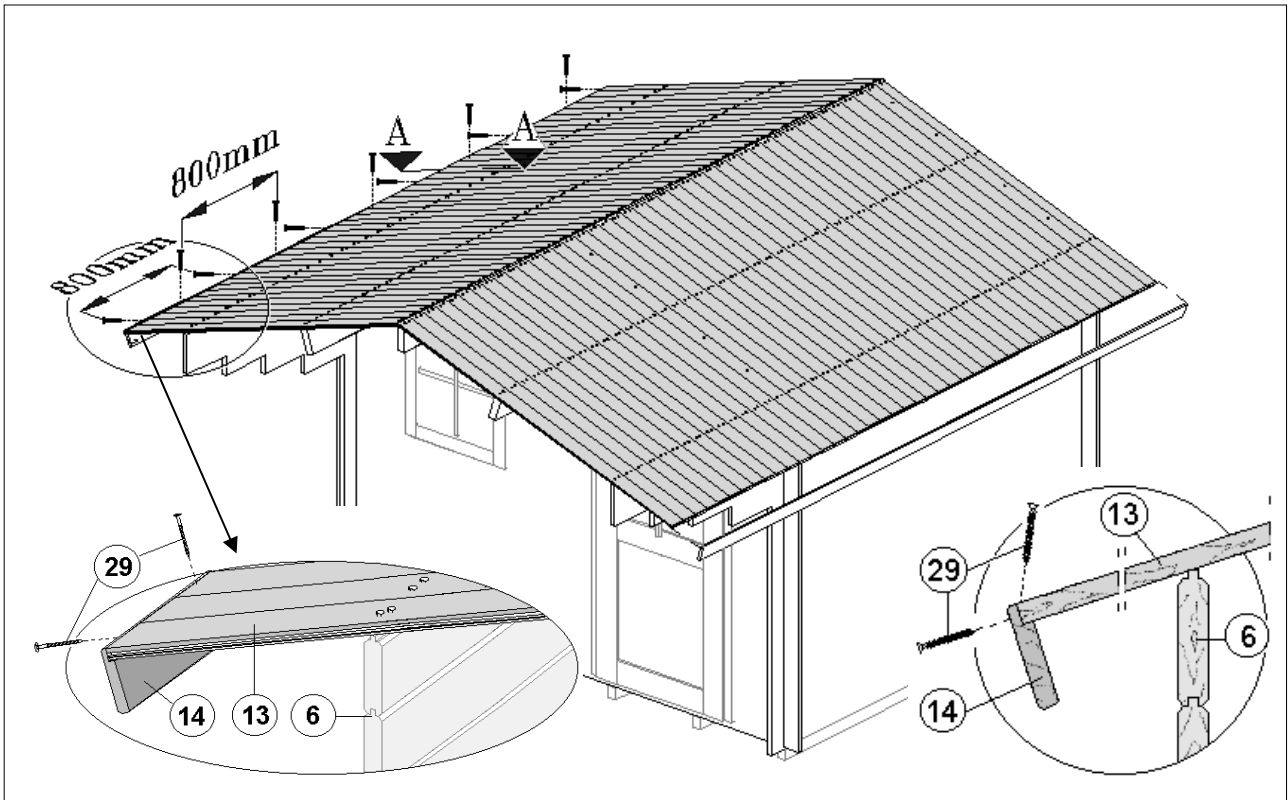
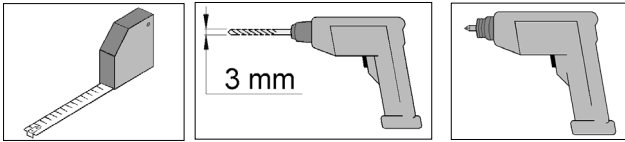


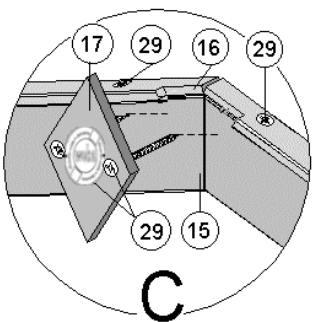
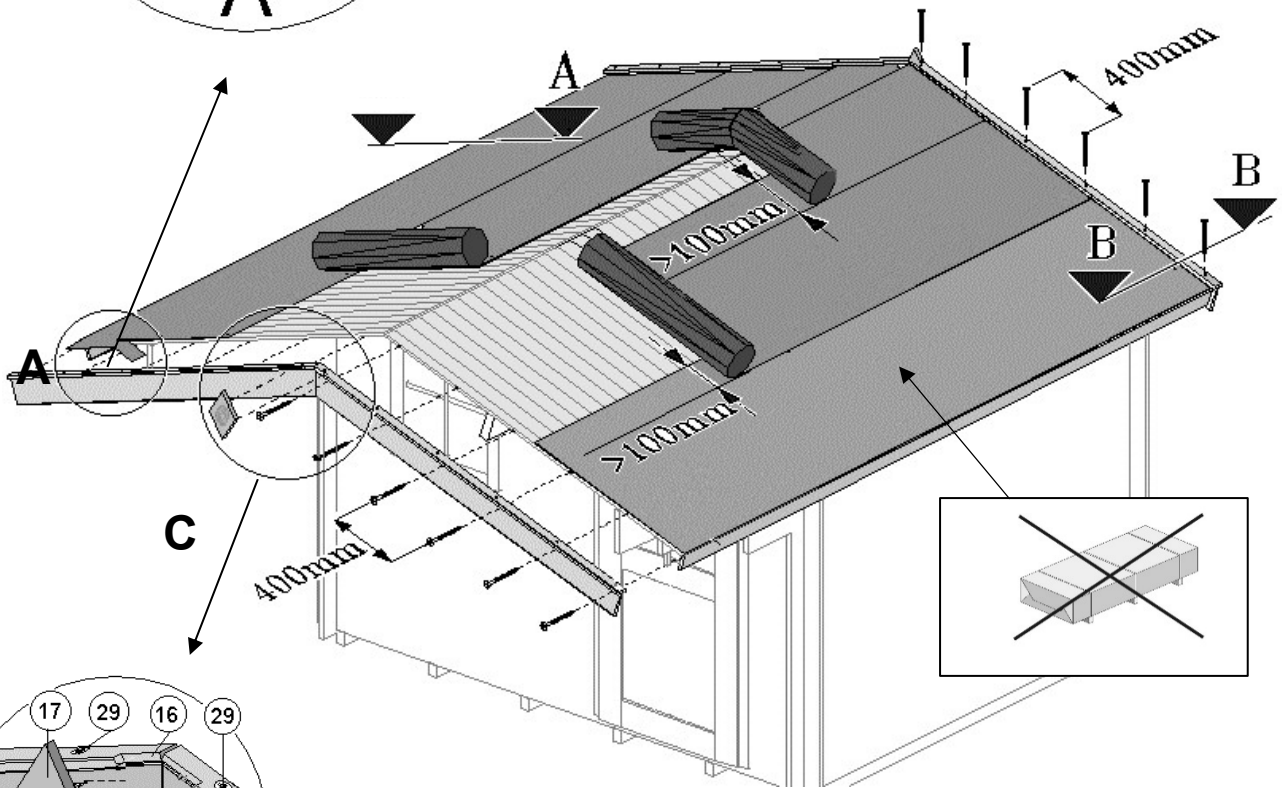
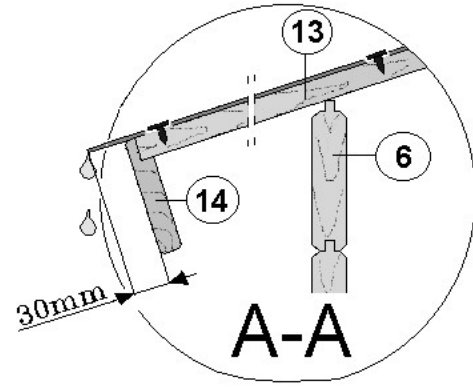
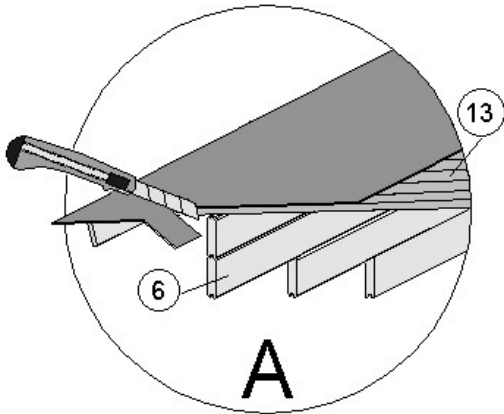
Fußbodenmontage





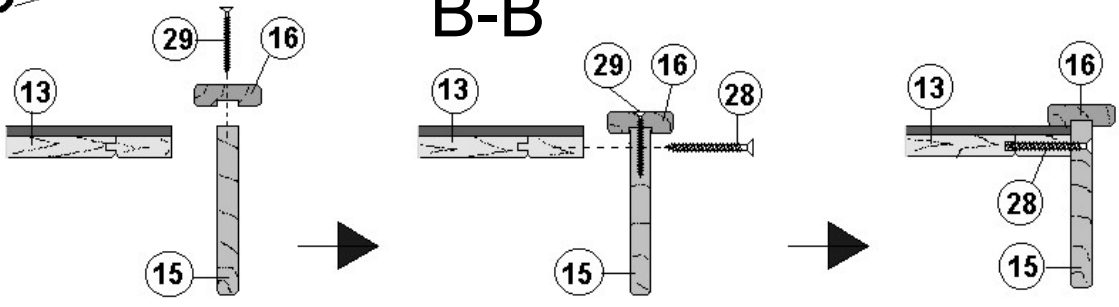


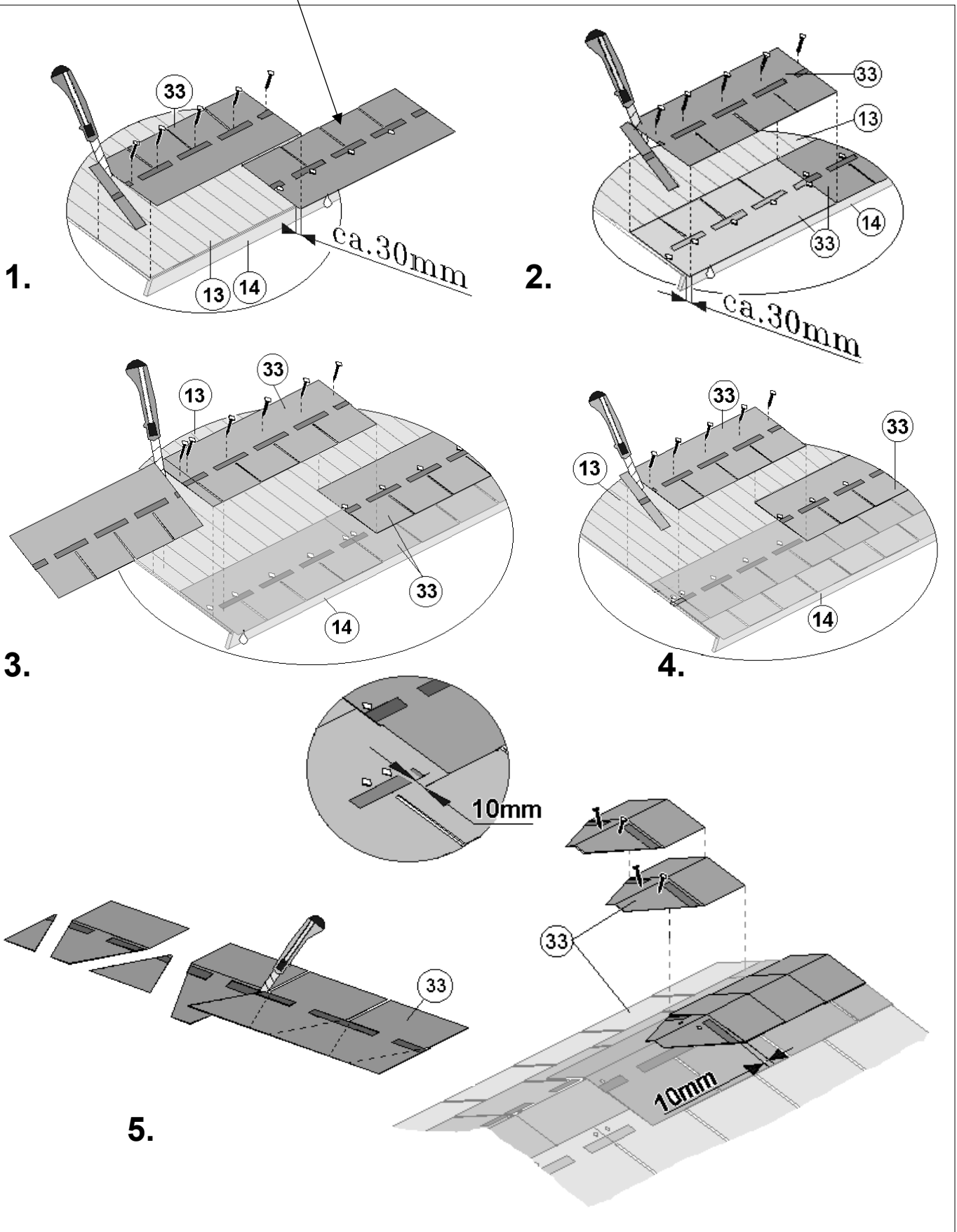
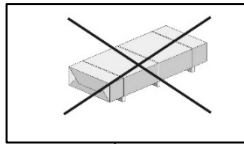
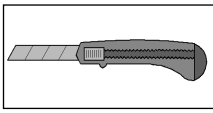
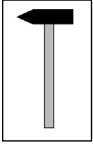


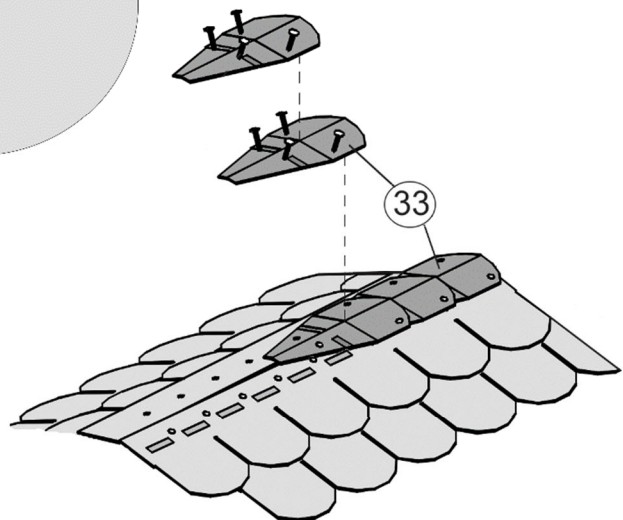
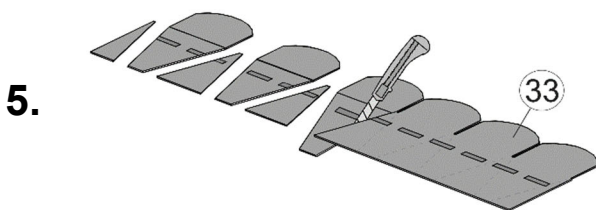
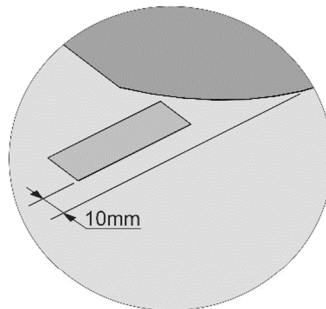
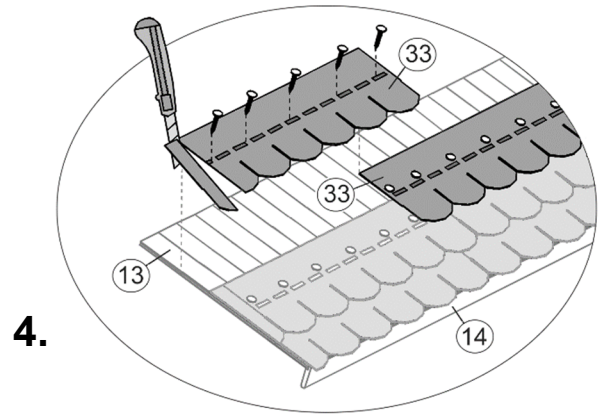
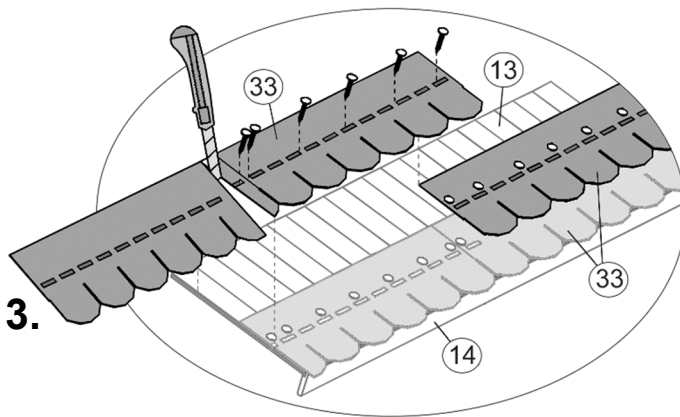
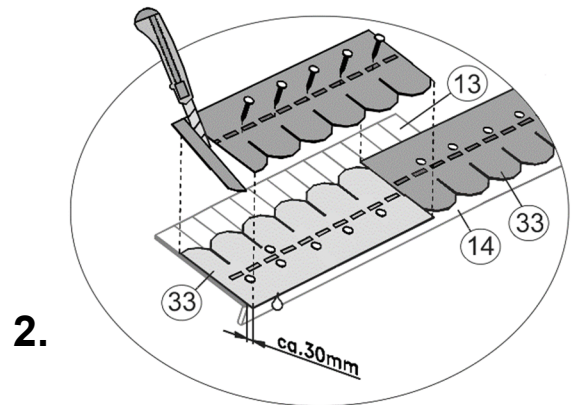
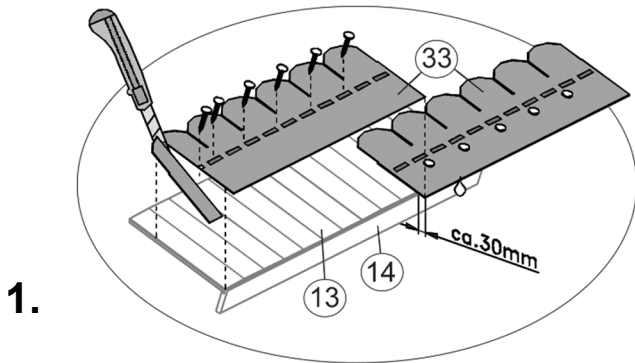
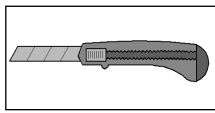
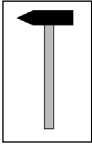


C

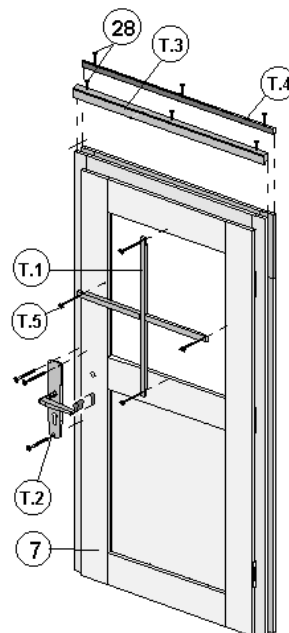
B-B

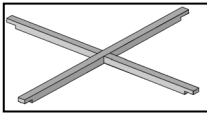
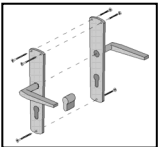
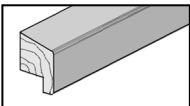
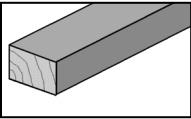
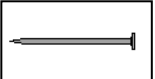






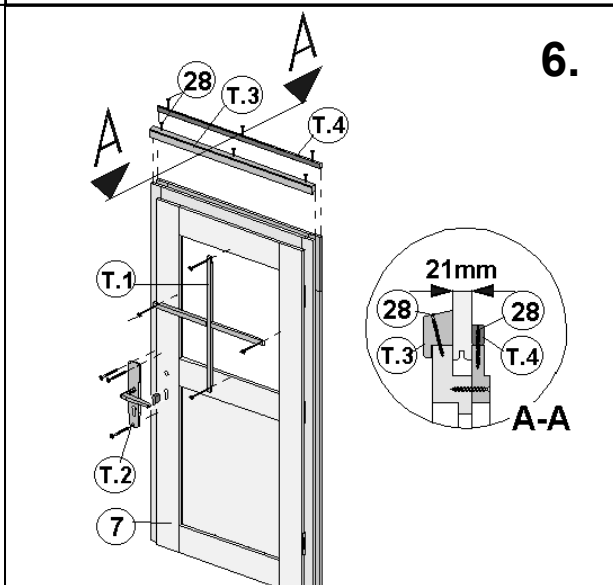
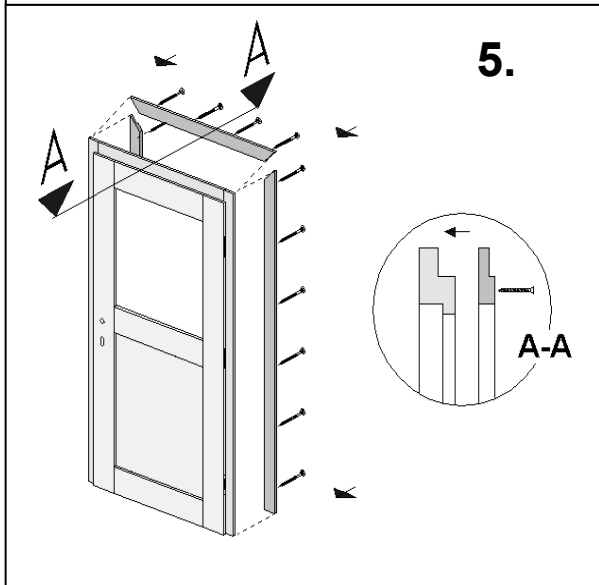
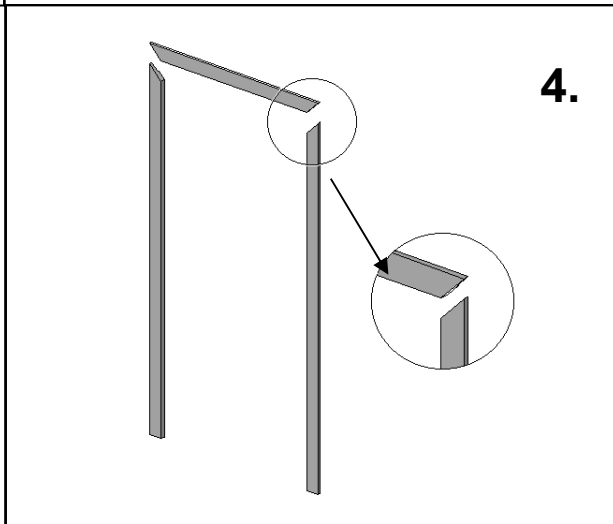
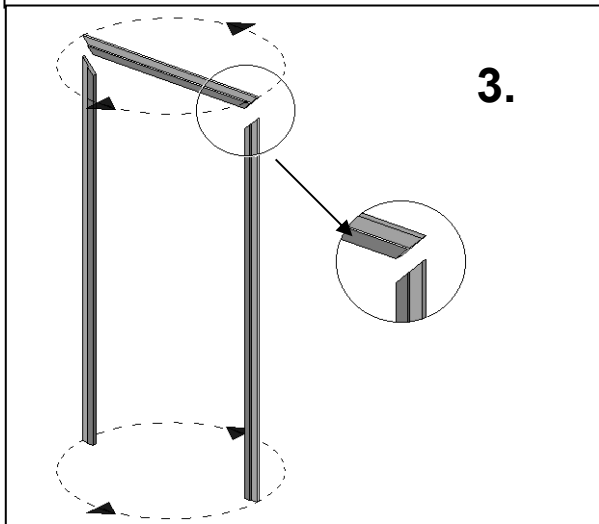
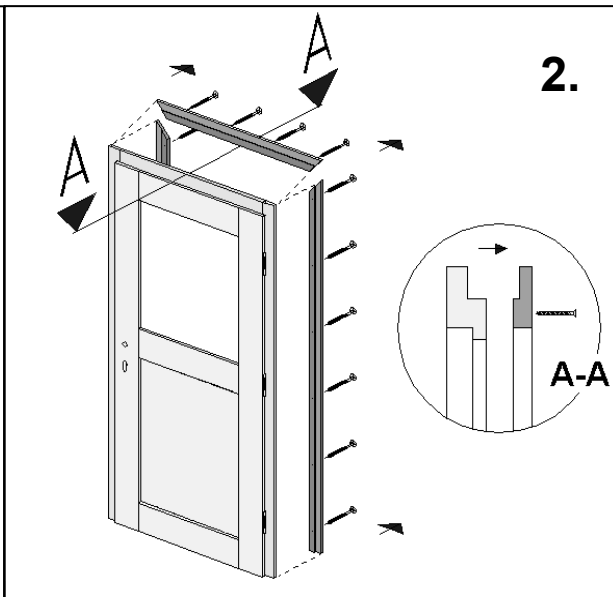
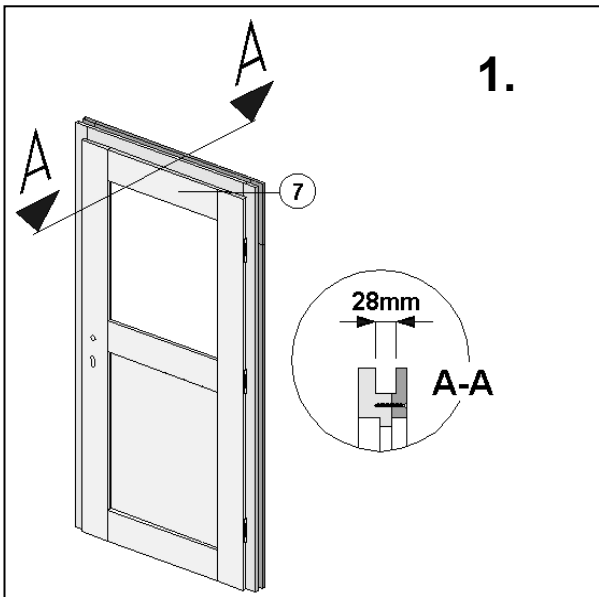
Blockhaustür, 1-flügelig

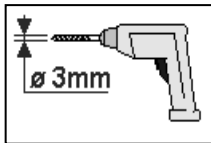


| Pos. | Bild | Abmessung |
|------|---|-----------|
| T.1 |  | |
| T.2 |  | |
| T.3 |  | 35 / 45 |
| T.4 |  | 15 / 25 |
| T.5 |  | 16 x 30 |

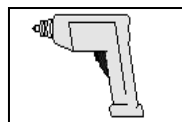
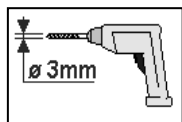
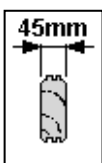
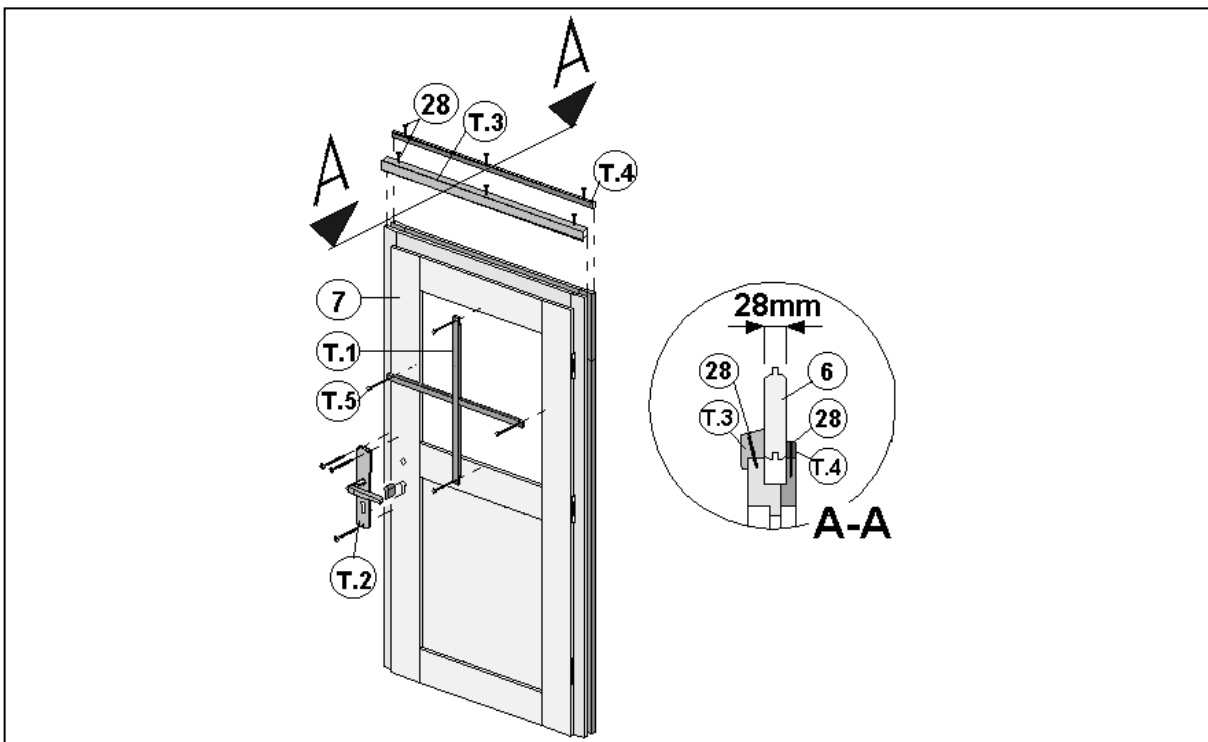


WS = 21 mm

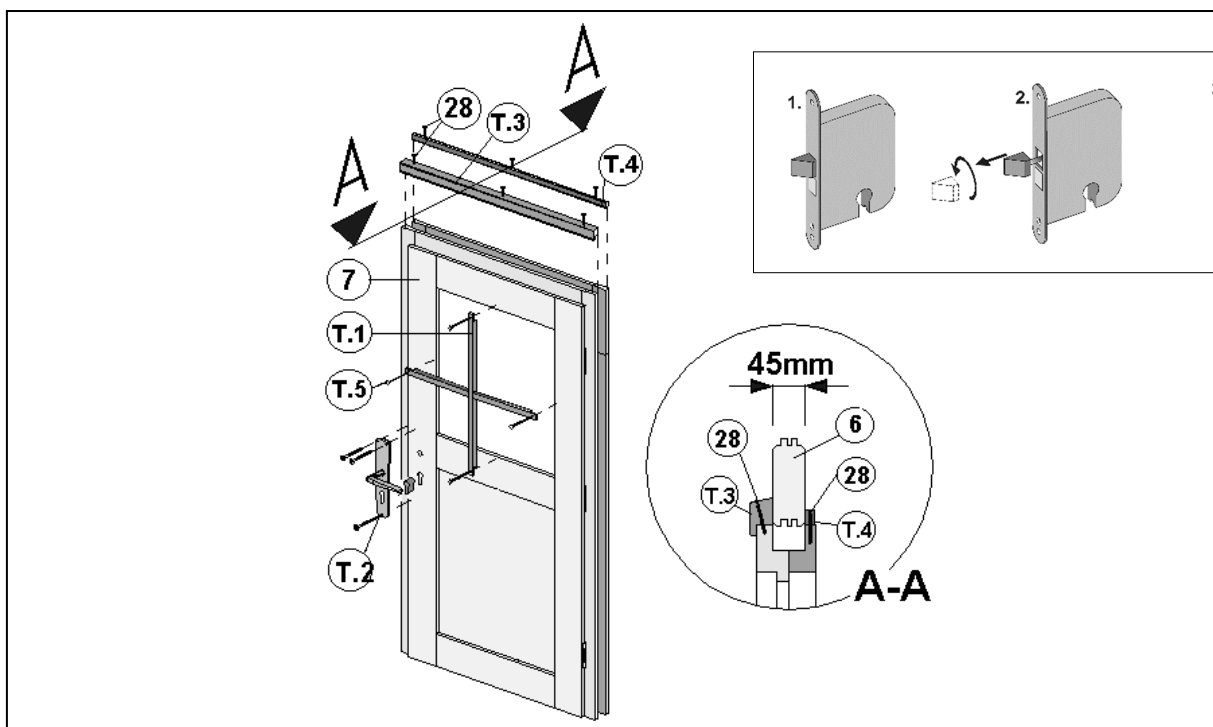




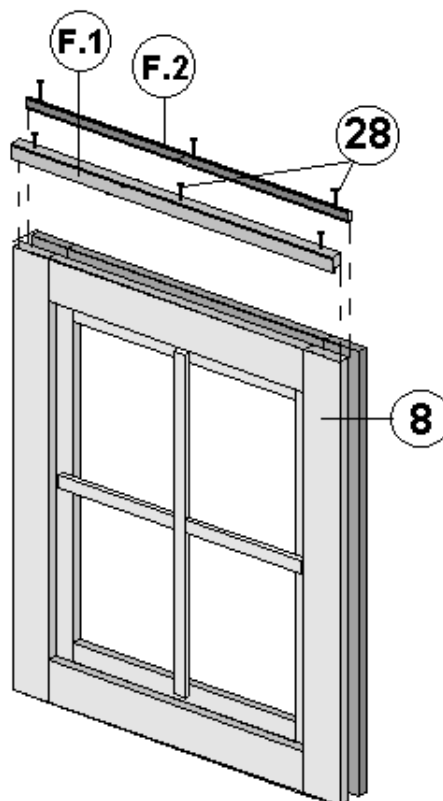
WS = 28 mm

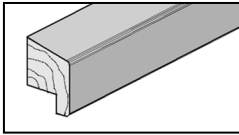
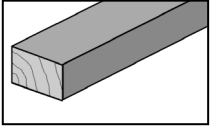


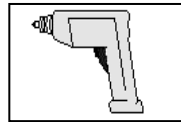
WS = 45 mm



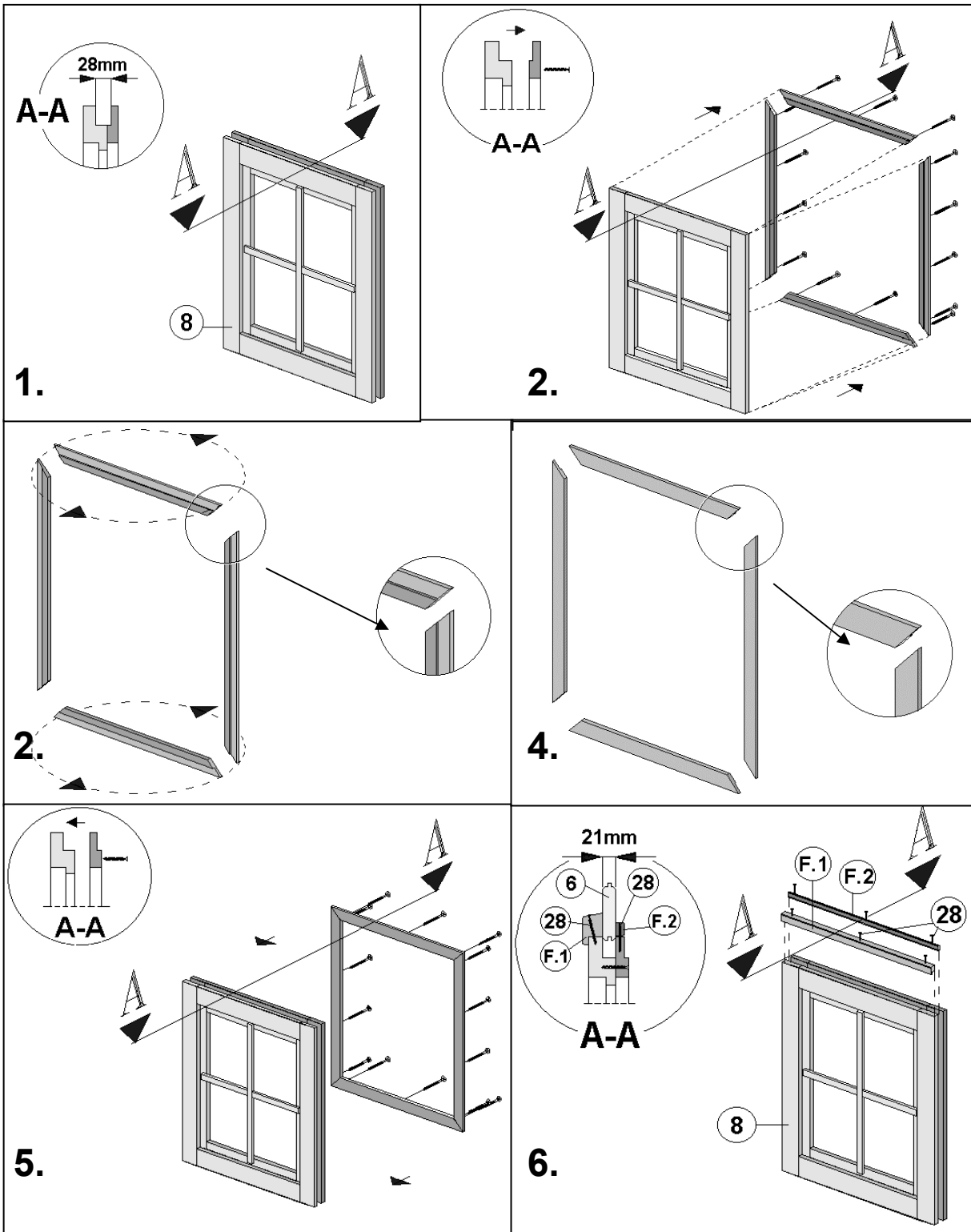
Blockhausfenster, 1-flügelig

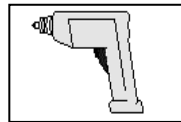


| Pos. | Bild | Abmessung |
|------|---|-----------|
| F.1 |  | 19 / 45 |
| F.2 |  | 15 / 25 |

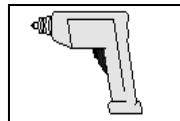


WS = 21 mm

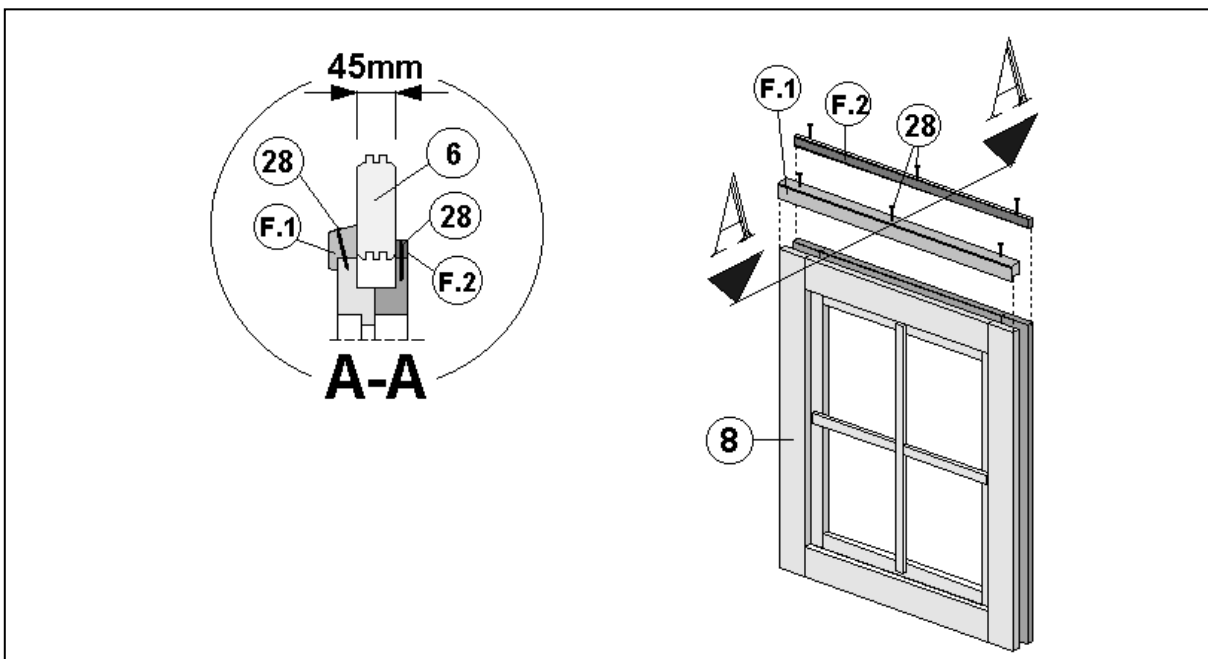




WS = 28 mm



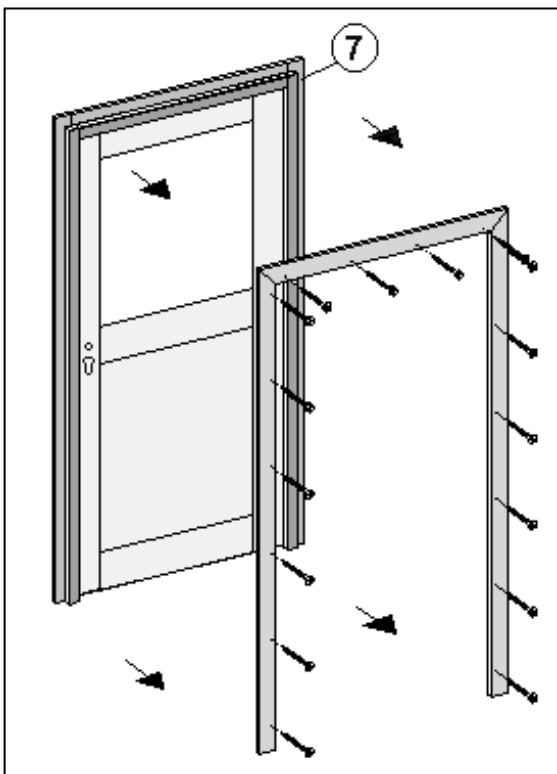
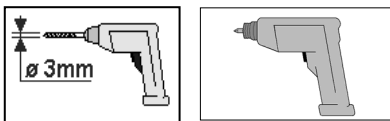
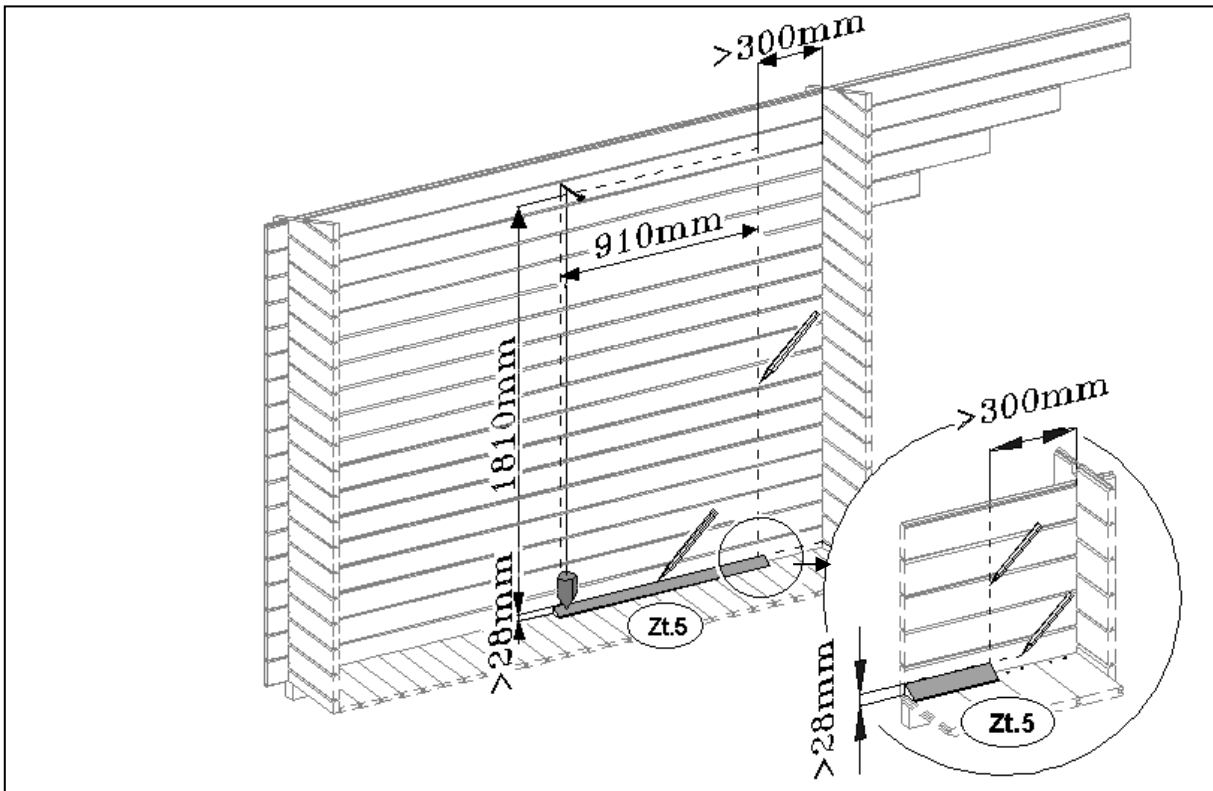
WS = 45 mm

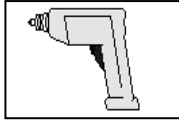
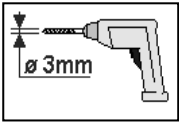


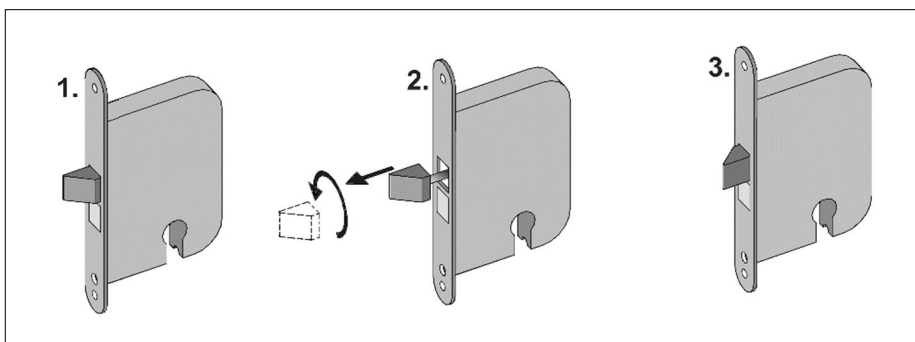
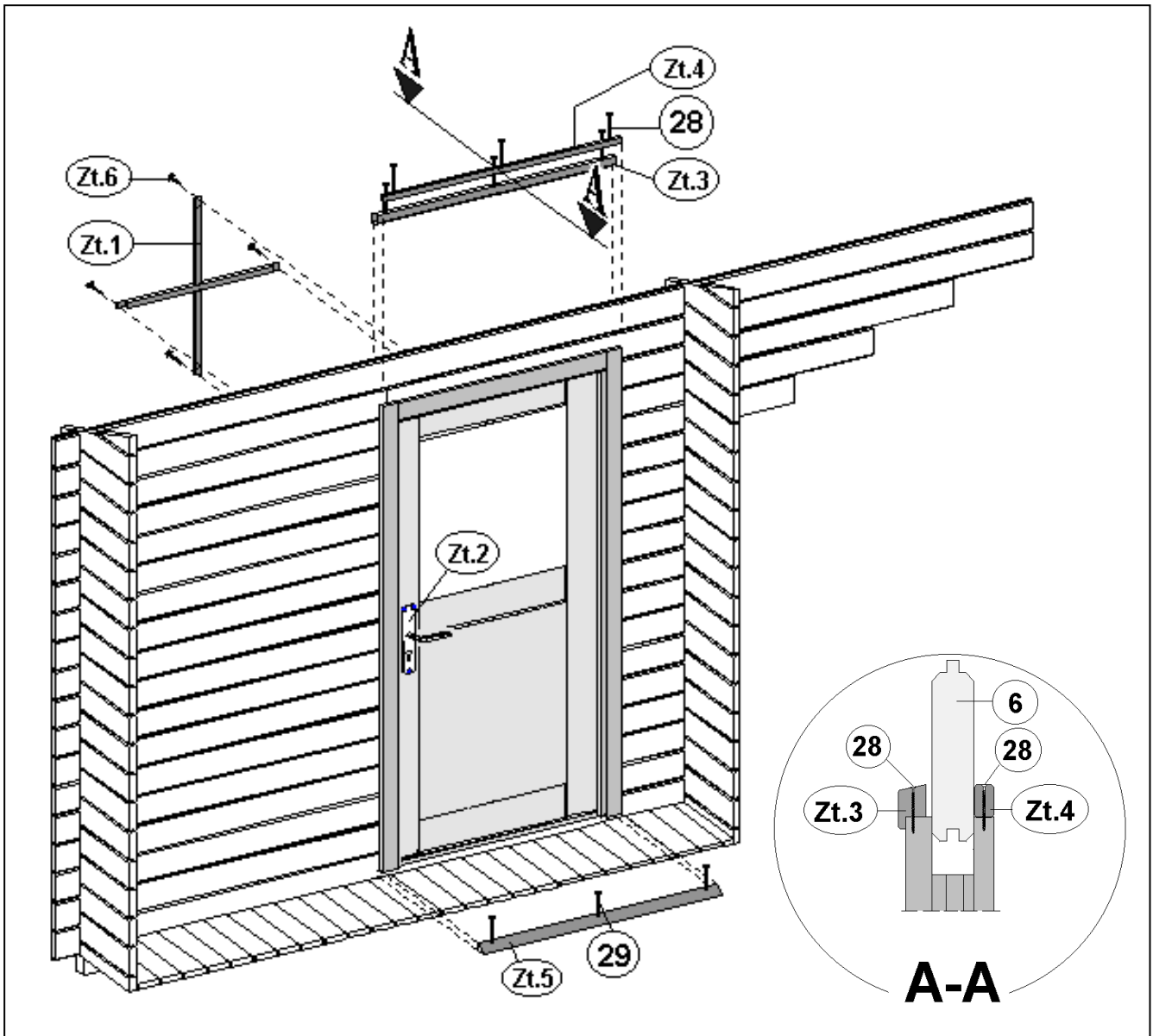
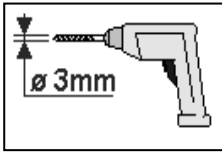
Zusatztür



| Pos. | Bild | Abmessung |
|------|---|-----------|
| Zt.1 |  | |
| Zt.2 |  | |
| Zt.3 |  | 35 / 45 |
| Zt.4 |  | 15 / 25 |
| Zt.5 |  | 28 / 45 |
| Zt.6 |  | 16 x 30 |

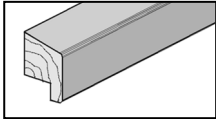
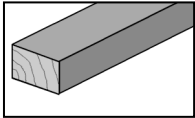


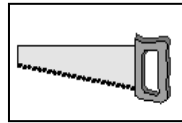
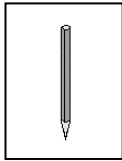
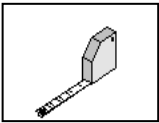


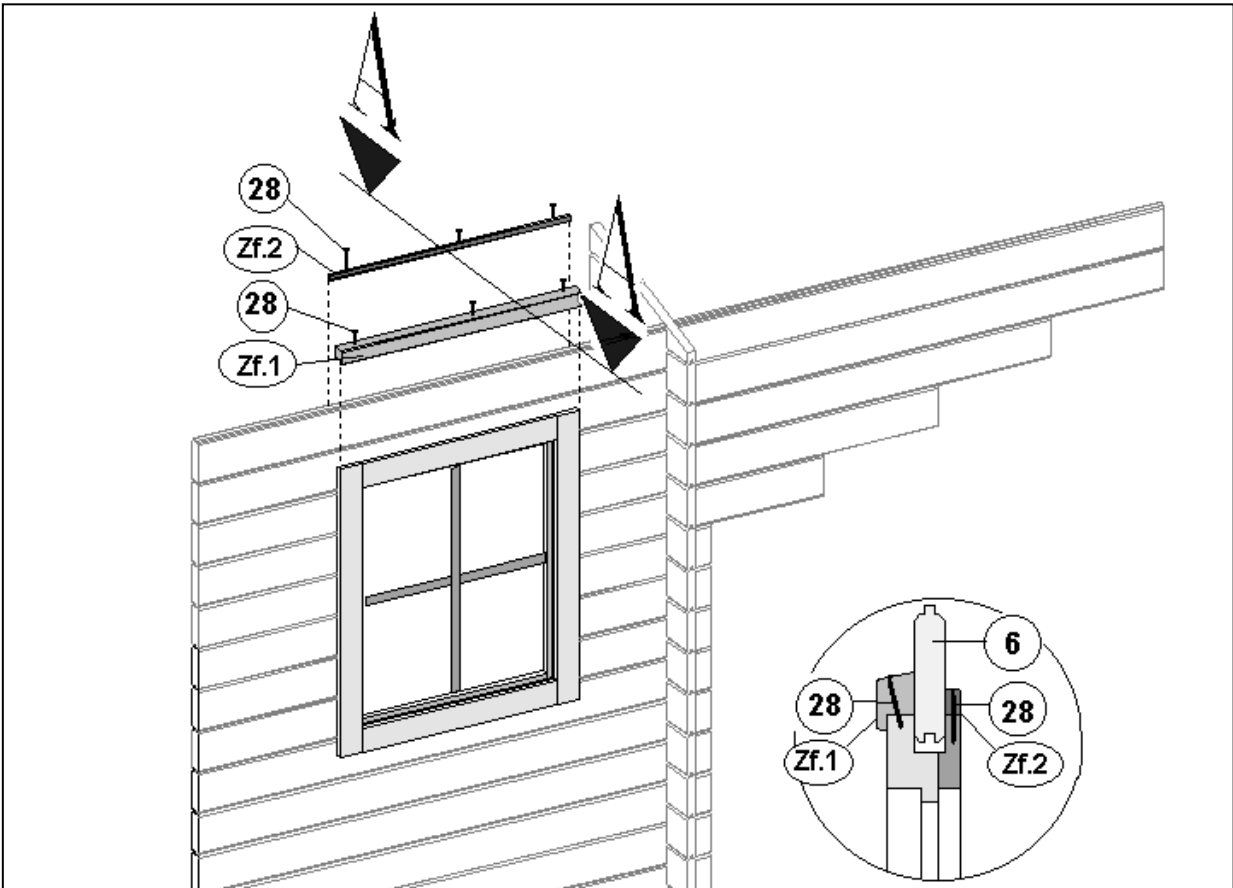


Zusatzfenster



| Pos. | Bild | Abmessung |
|------|---|-----------|
| Zf.1 |  | 19 / 45 |
| Zf.2 |  | 15 / 25 |



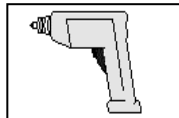
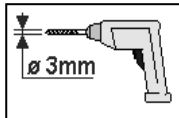


Blockhaus-Tür, 2-flügelig

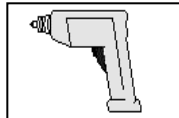
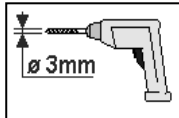
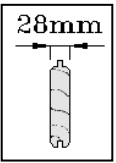
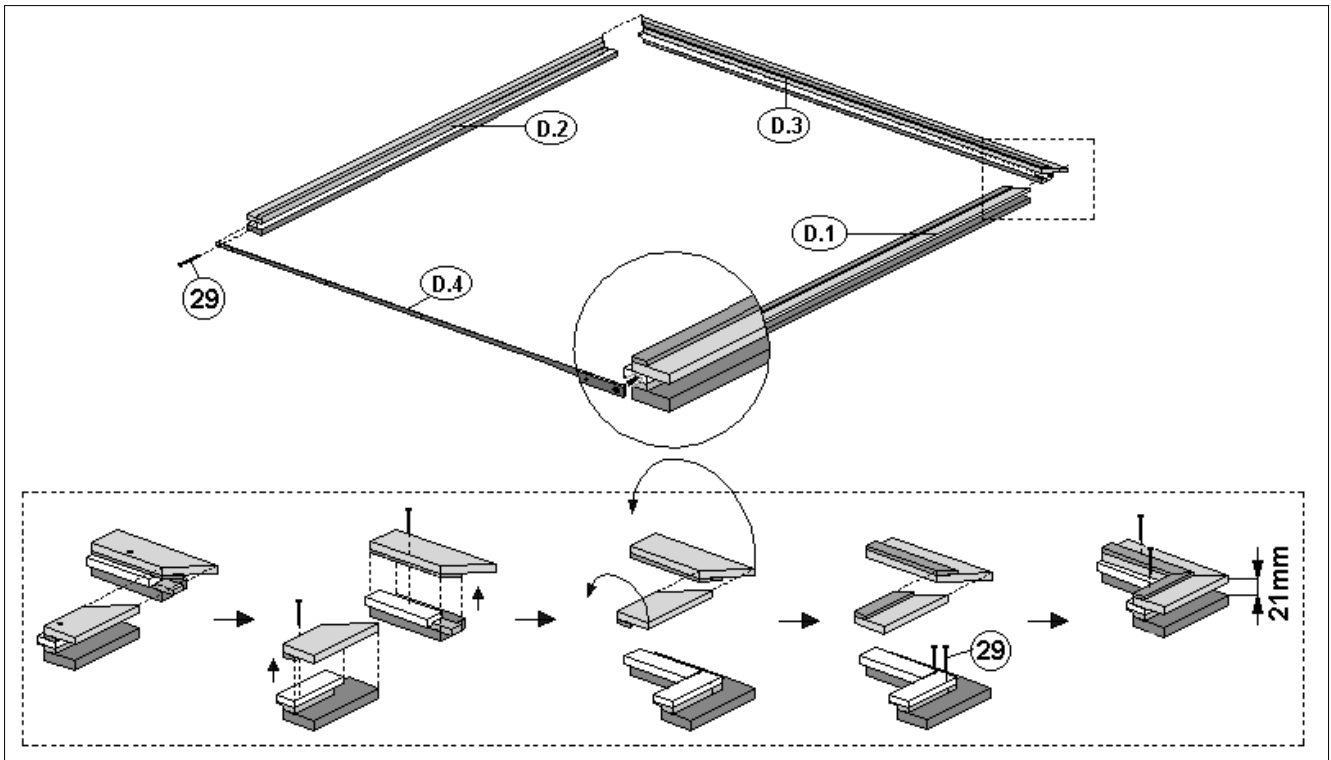


| Pos. | Bild | Abmessung | Bemerkung |
|------|---|-------------------------------|--------------------------------|
| D.1 |  | 54 / 80 61 / 80 80 / 80 | 21 mm WS 28mm WS 45mm WS |
| D.2 |  | 54 / 80 61 / 80 80 / 80 | 21 mm WS 28mm WS 45mm WS |
| D.3 |  | 54 / 80 61 / 80 80 / 80 | 21 mm WS 28mm WS 45mm WS |
| D.4 |  | 5 / 15 | |
| D.5 |  | | |
| D.6 |  | | |
| D.7 |  | 15 / 45 | |
| D.8 |  | | |
| D.9 |  | | |

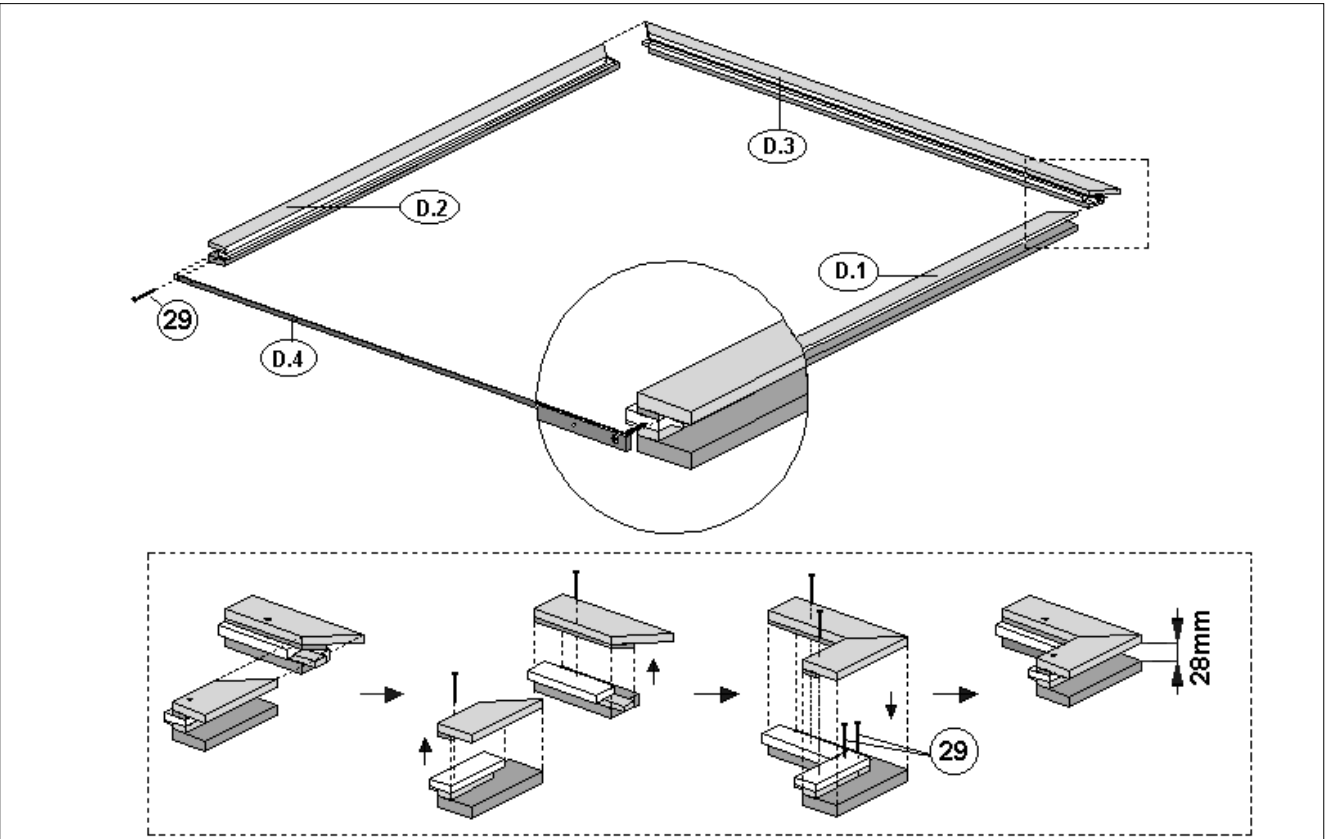
| Pos. | Bild | Abmessung | Bemerkung |
|------|---|-----------|-----------|
| D.10 |  | | |
| D.11 |  | 35 / 45 | |
| D.12 |  | 15 / 25 | |
| D.13 |  | | |
| D.14 |  | 3,0 x 25 | |
| D.15 |  | 16 x 30 | |

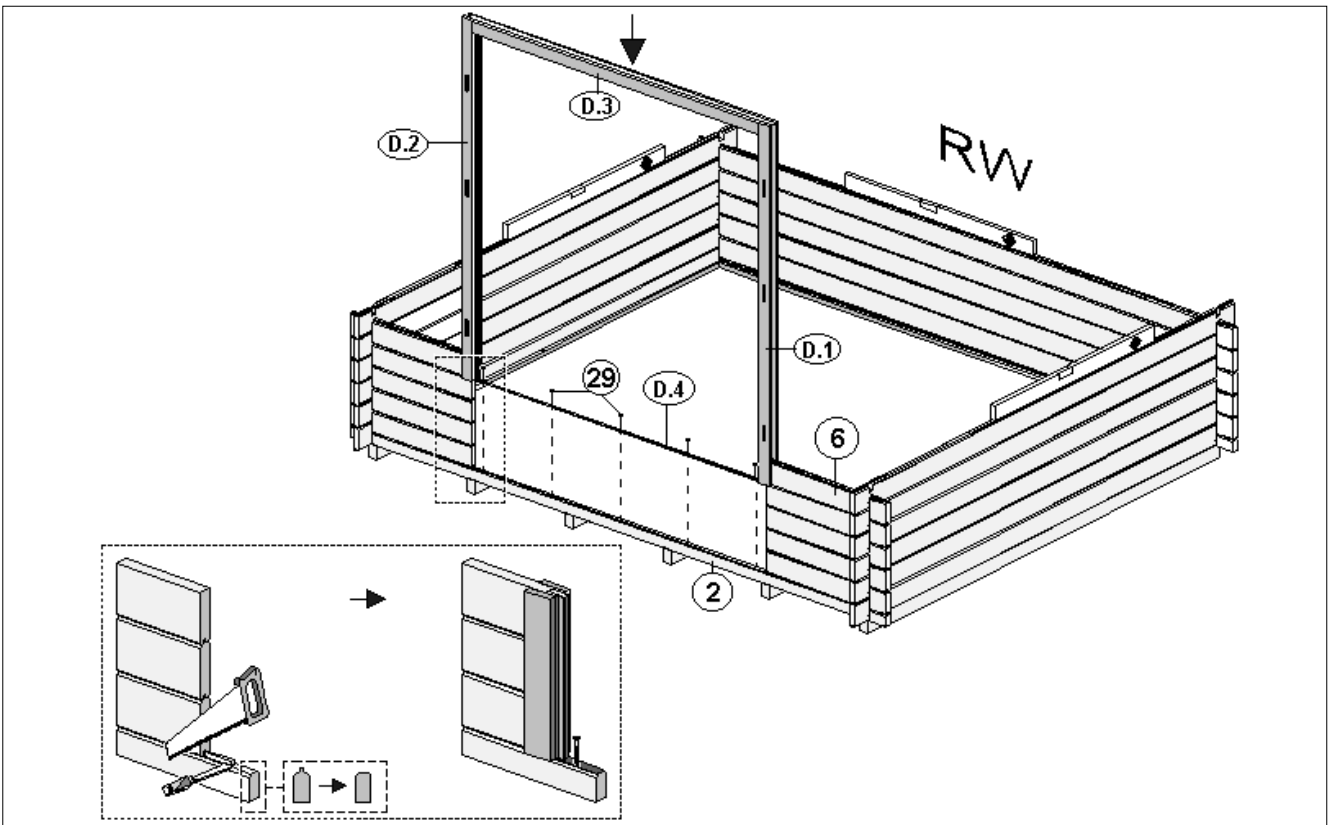
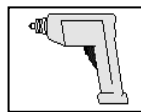
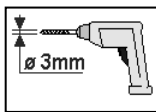
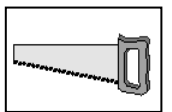
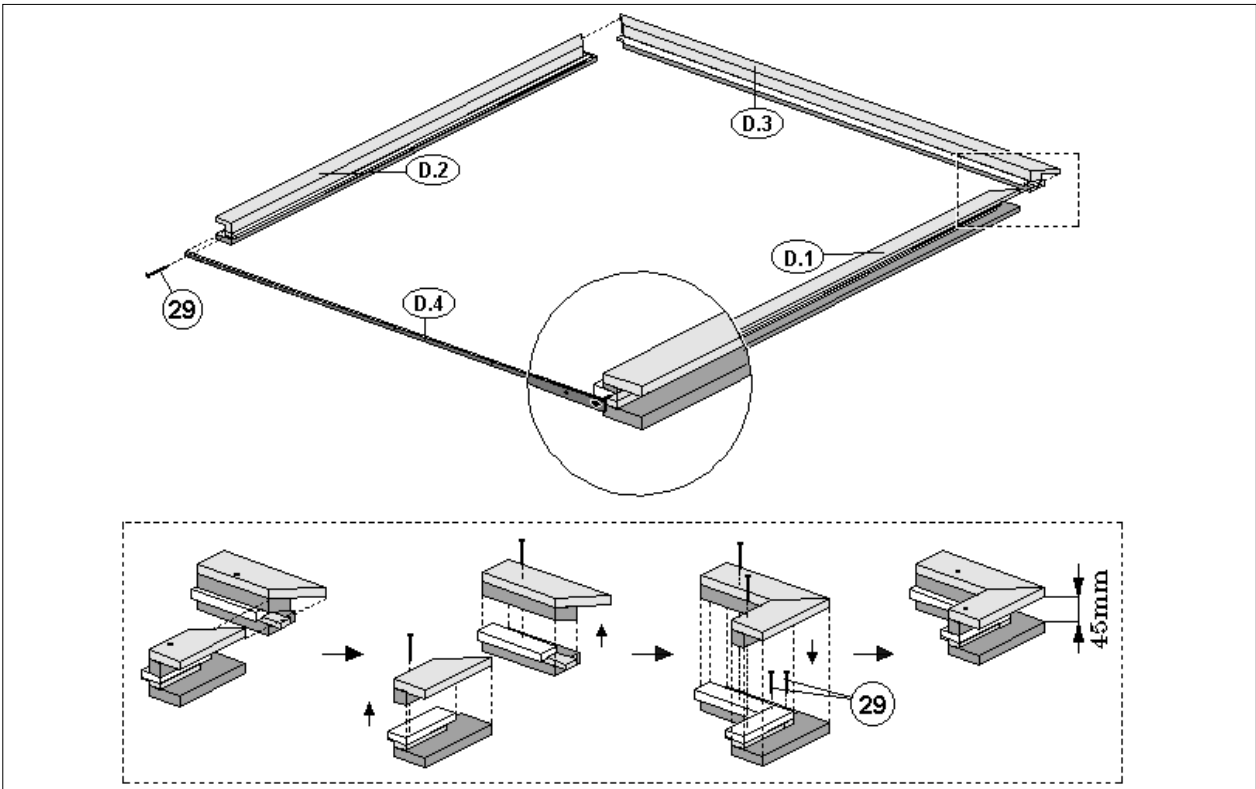
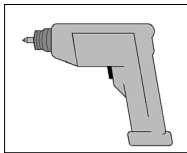
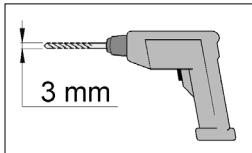
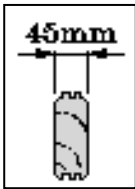


21mm WS

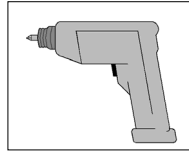


28mm WS

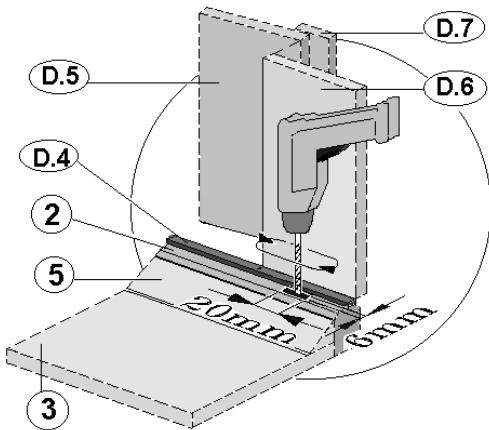




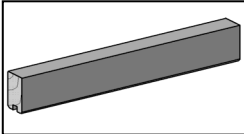
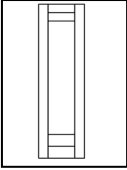
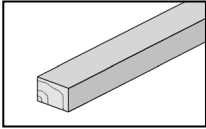
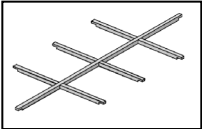
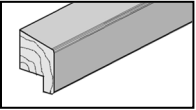
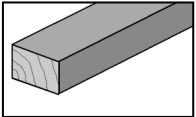
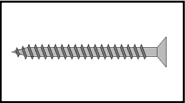
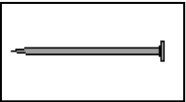


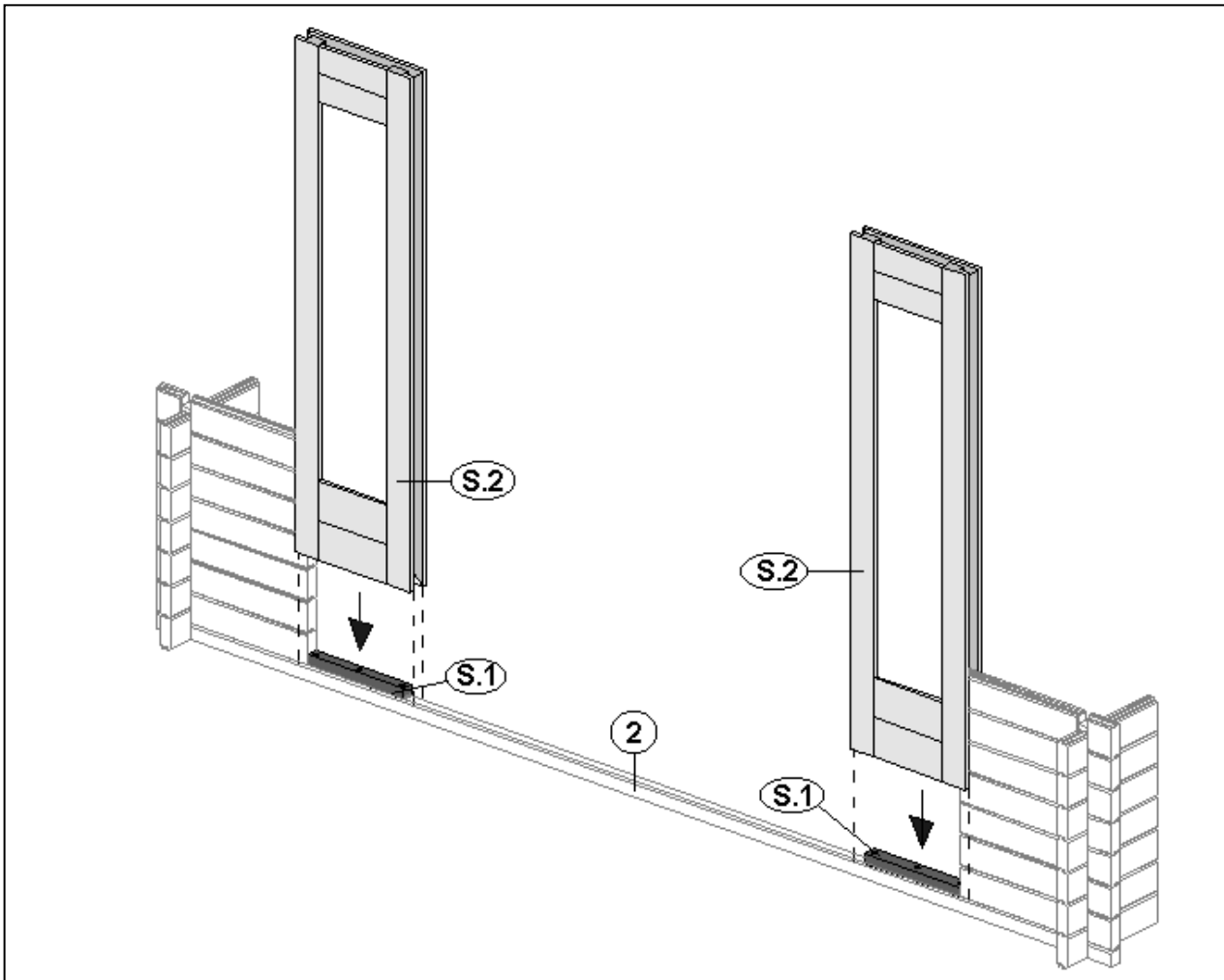
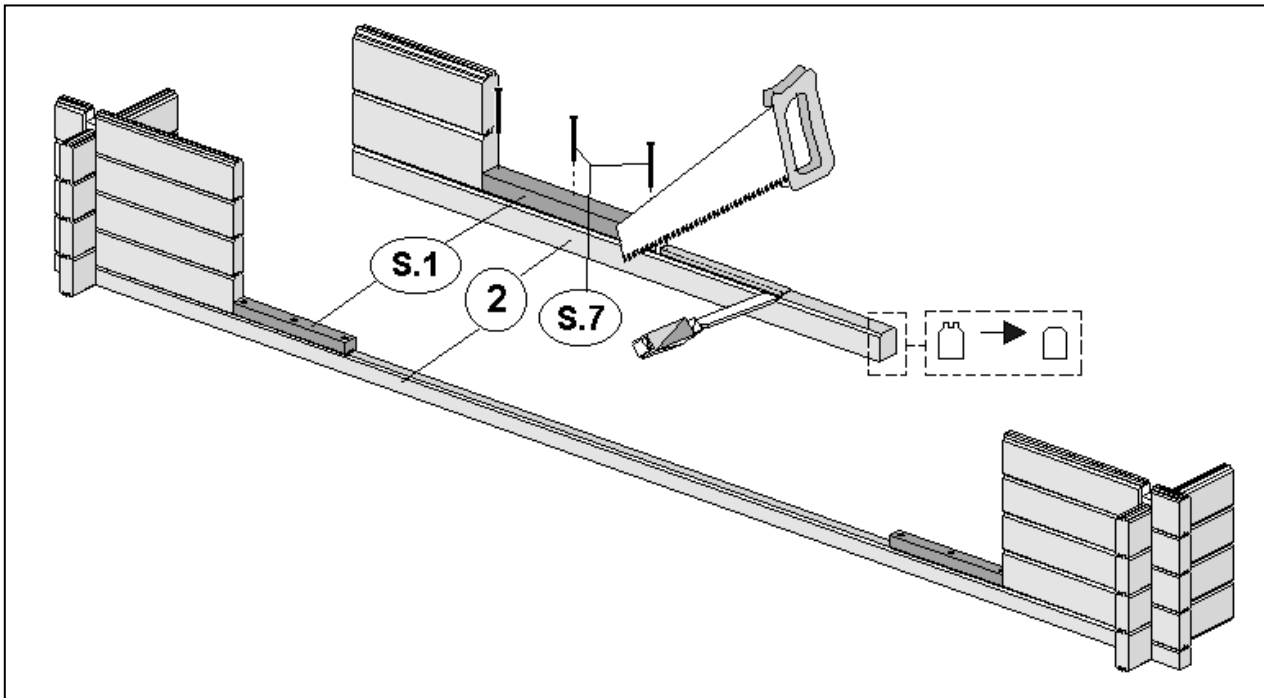
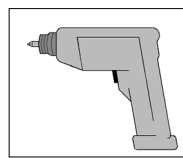
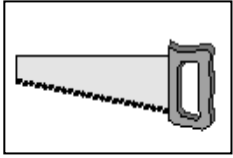


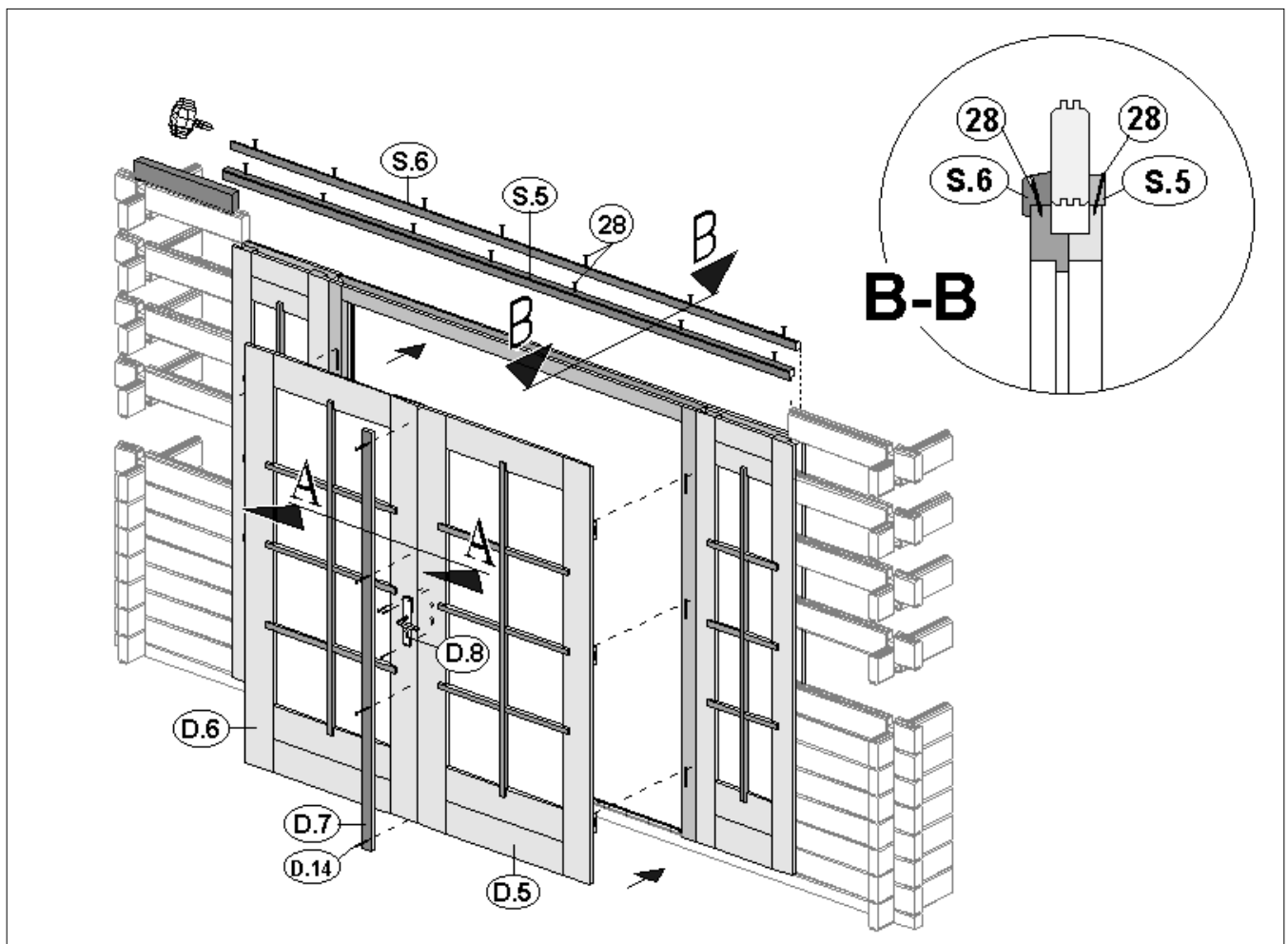
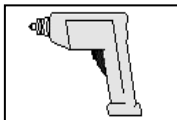
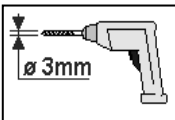
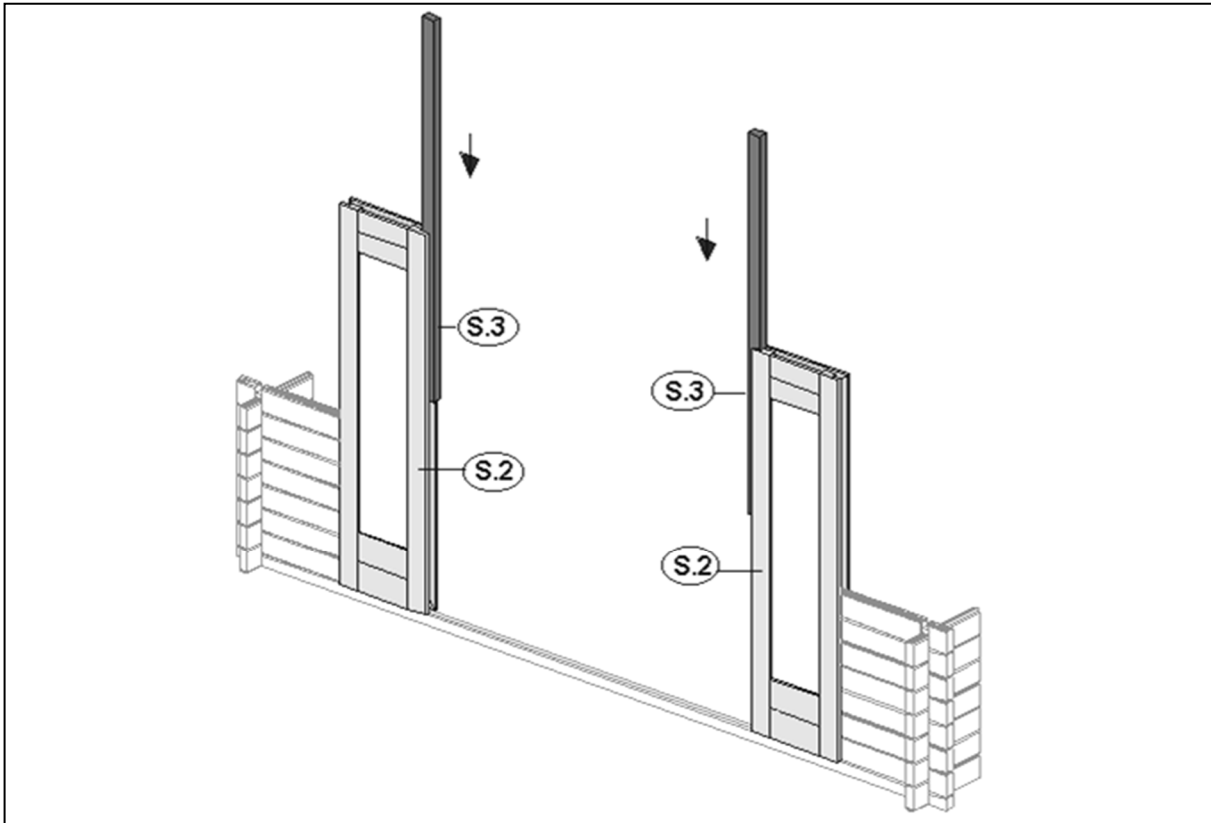
A-A



Seitenglaselement

| Pos. | Bild | Abmessung |
|------|---|-----------|
| S.1 |  | 45 / 40 |
| S.2 |  | |
| S.3 |  | 45 / 70 |
| S.4 |  | |
| S.5 |  | 35 / 45 |
| S.6 |  | 15 / 25 |
| S.7 |  | 5,0 x 70 |
| S.8 |  | 16 x 30 |







weka Holzbau GmbH, Johannesstr. 16
D-17034 Neubrandenburg
tel. (0049) 395 429080
fax (0049) 395 45129819
EMail: Info@weka-Holzbau.com

MA Art.-Nr.: 800.0286.00.11