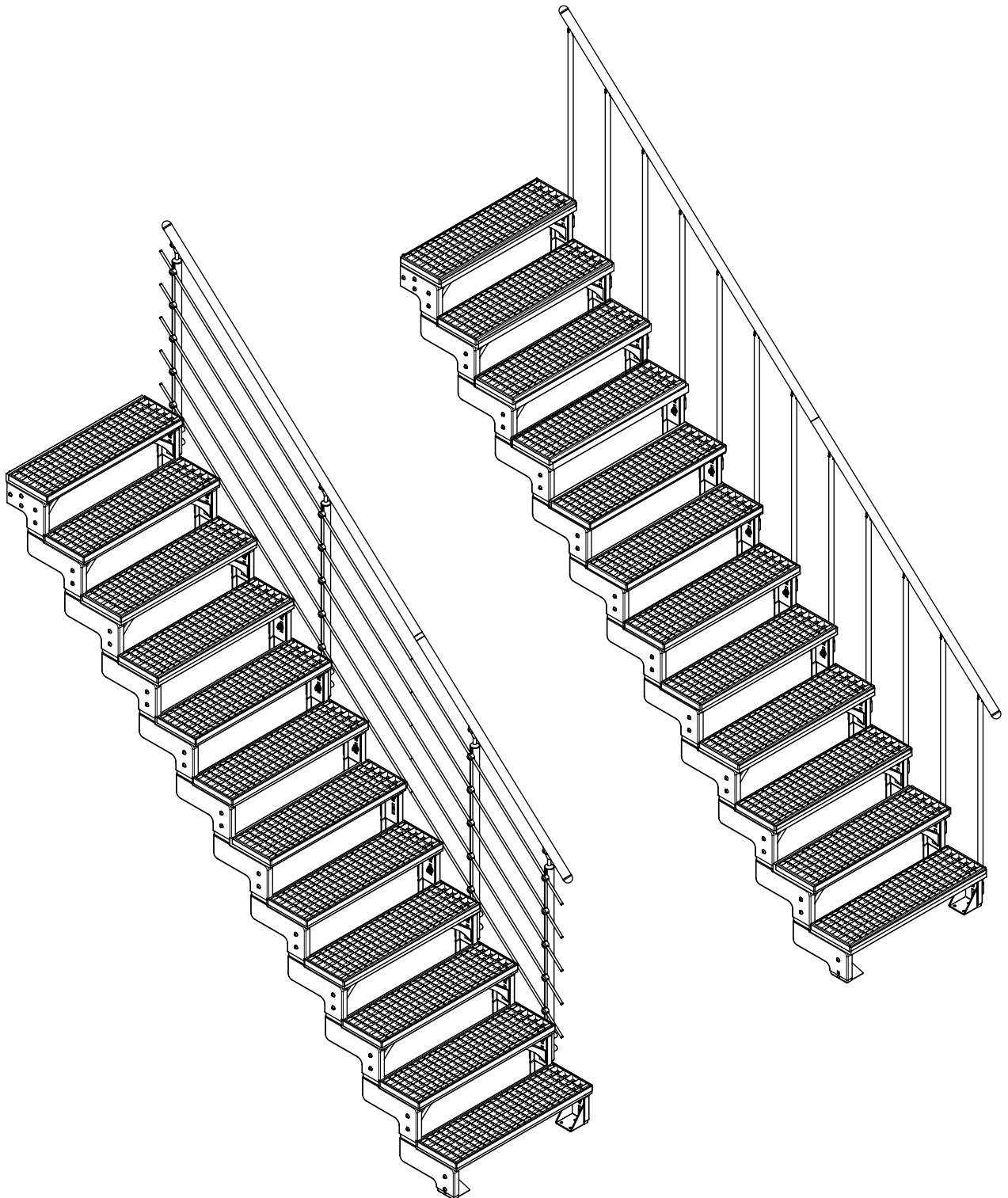


GARDENTOP



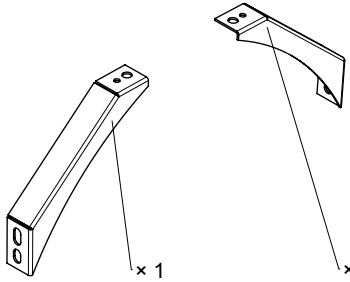
Gitterrost

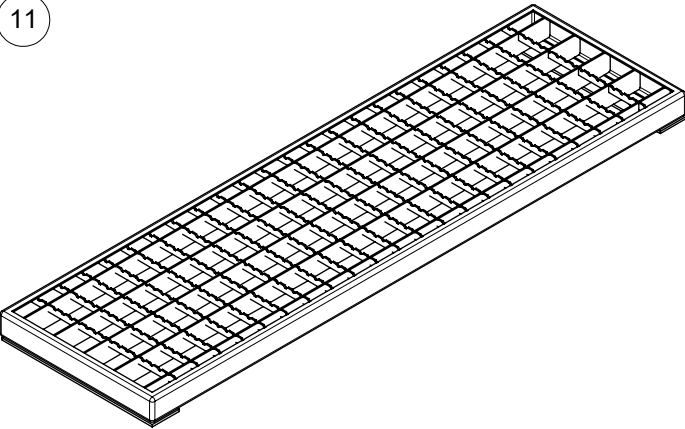
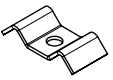










Montageanleitung
Installation instruction



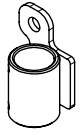
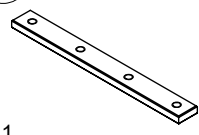
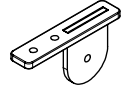

68015		Starter-Set Start kit			
<p>1 2</p> <p>× 1 K1-41931 × 1 K1-41930</p>		<p>7 8</p> <p>× 1 K1-41911 × 1 K1-41910</p>		<p>5</p> <p>× 2 K2-41900</p>	
<p>6</p> <p>× 2 K1-41940</p>		<p>40</p> <p>× 14 K3-02045 M10×25</p>		<p>41</p> <p>× 2 K3-04110 Ø10</p>	
<p>42</p> <p>× 8 K3-04198 Ø10</p>		<p>43</p> <p>× 14 K3-03051 M10</p>		<p>44</p> <p>× 12 K3-08001 Ø12 x 60</p>	
<p>45</p> <p>× 12 K3-06070 Ø10 x 60</p>		<p>59</p> <p>× 12 K3-06269 Ø6 x 35</p>		<p>63</p> <p>× 4 K3-05022 M8 x 20</p>	
<p>64</p> <p>× 12 K3-04010 Ø10,5</p>					

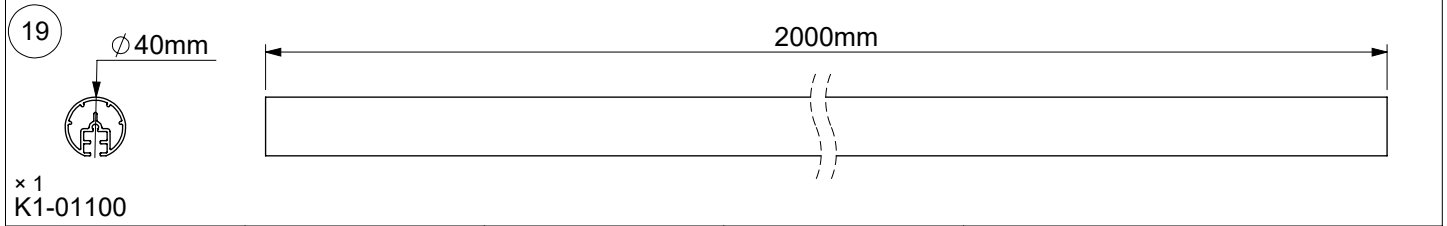
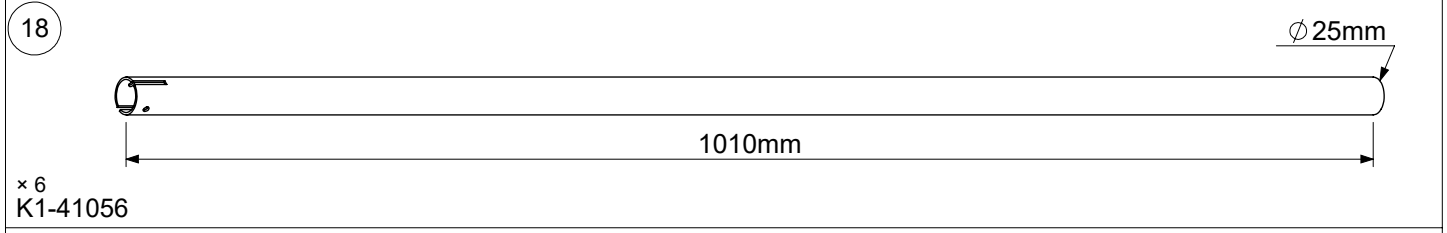
68016		Ergänzungs-Set 1 step kit			
<p>3 4</p> <p>× 1 K1-41921 × 1 K1-41920</p>		<p>40</p> <p>× 4 K3-02045 M10 x 25</p>		<p>42</p> <p>× 4 K3-04198 Ø10</p>	
		<p>43</p> <p>× 4 K3-03051 M10</p>			
		<p>59</p> <p>× 6 K3-06269 Ø6 x 35</p>			


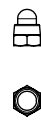


68020	Stufen-Winkel <i>Step support 1 step</i>
<div style="display: flex; justify-content: space-between; align-items: center;"> <div style="display: flex; gap: 10px;"> 9 10 </div> <div style="text-align: center;">  <p>If more than 6 steps: Add</p> <div style="display: flex; justify-content: center; gap: 10px;"> 9 + 10 </div> <p>Wenn mehr als 6 Stufen: hinzufügen</p> <div style="display: flex; justify-content: center; gap: 10px;"> 9 + 10 </div> <p>hinzufügen</p> </div> <div style="text-align: right;"> 59  <p>× 1 K3-06269 Ø6 x 35</p> </div> </div> <div style="margin-top: 20px;">  <div style="display: flex; justify-content: space-around; margin-top: 10px;"> <div style="text-align: center;"> <p>× 1 K1-41060</p> </div> <div style="text-align: center;"> <p>× 1 K1-41061</p> </div> </div> </div>	
Max. 6 Satz sets	

Gitterrost-Stufe <i>Grating step</i>	80 cm / 100 cm		
11 	44  <p>× 2</p>	55   <p>× 4 K3-04016 Ø6</p>	56   <p>× 4 K3-03046 M6</p>
57   <p>× 4 K3-02220 M6 x 20</p>	58   <p>× 2 K3-02386 M8 x 40</p>	61   <p>× 2 K3-03047 M8</p>	


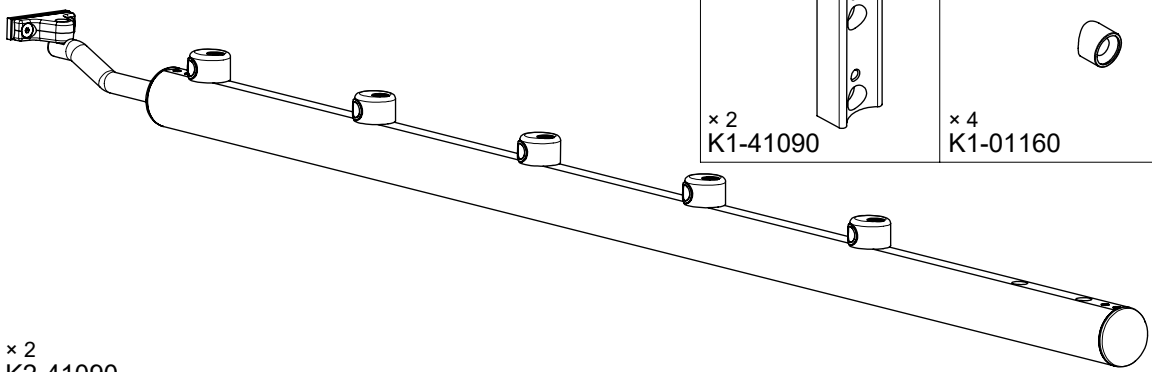


68031 *Steiggeländer für 6 Stufen*
Standard banister for 6 steps

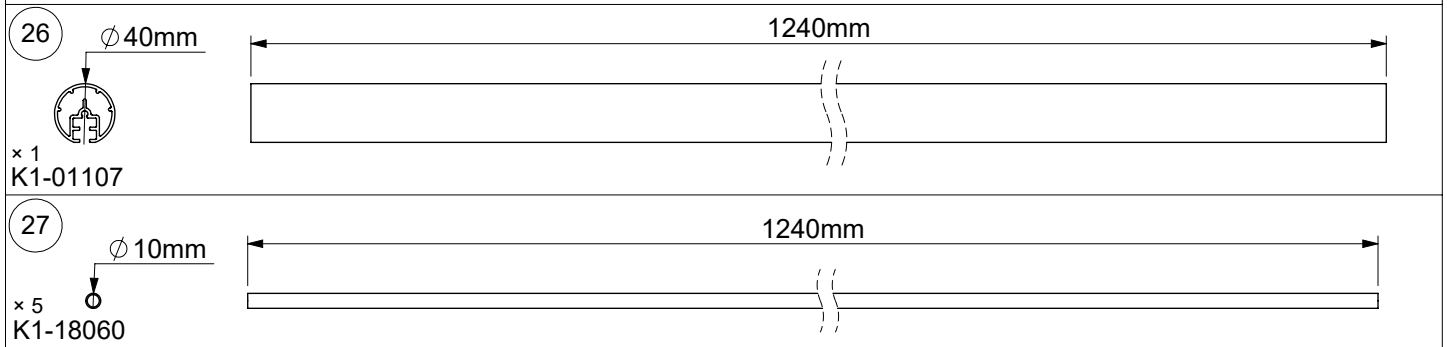
<p>14</p>  <p>× 6 K2-41052</p>	<p>15</p>  <p>× 1 K1-01221</p>	<p>16</p>  <p>× 6 K1-02130</p>	<p>17</p>  <p>× 2 K2-04040</p>	
---	---	---	---	--


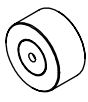
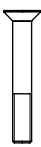


<p>46</p>  <p>× 6 K3-01034 M4 x 30</p>	<p>47</p>  <p>× 6 K3-03004 M4</p>	<p>48</p>  <p>× 12 K3-05006 M6 x 8</p>	<p>53</p>  <p>× 4 K3-05050 M5 x 12</p>
---	--	--	--

68040 *Steiggeländer PROVA Starter-Set für 4 Stufen*
PROVA banister start for 4 steps

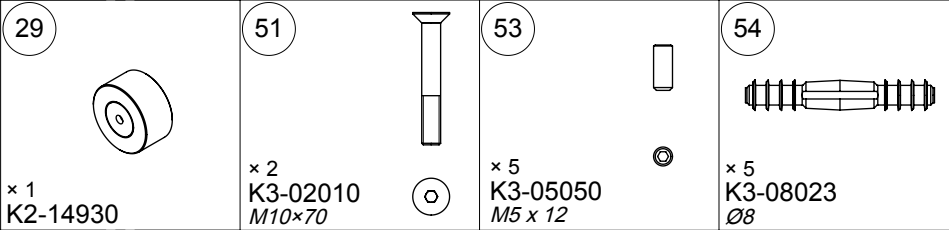
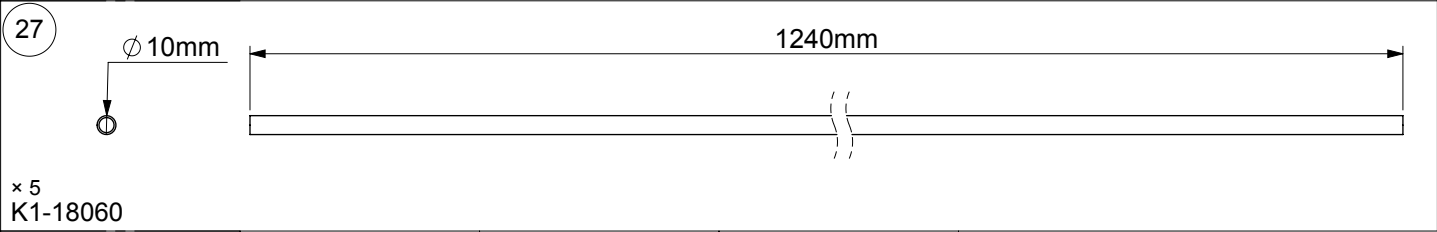
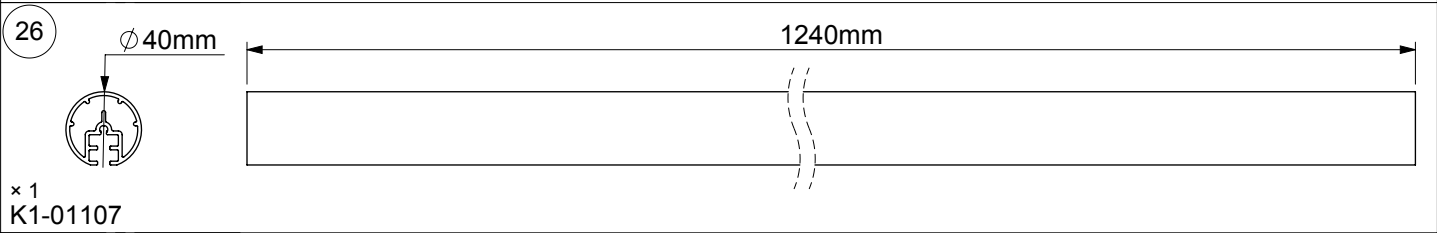
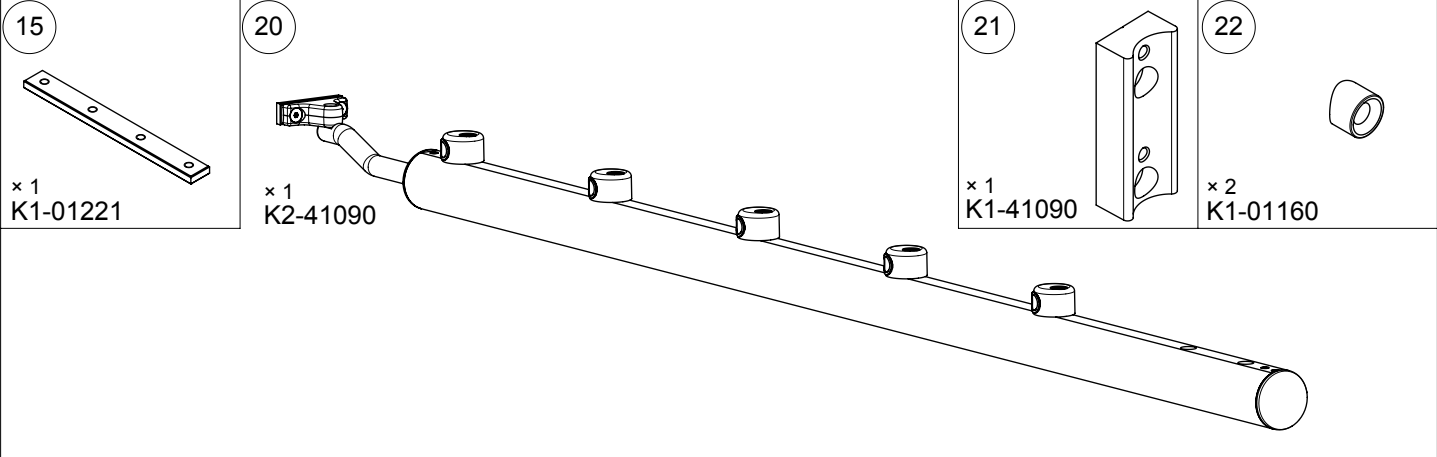
<p>17</p>  <p>× 2 K2-04040</p>	<p>20</p>  <p>× 2 K2-41090</p>	<p>21</p>  <p>× 2 K1-41090</p>	<p>22</p>  <p>× 4 K1-01160</p>
---	--	---	---

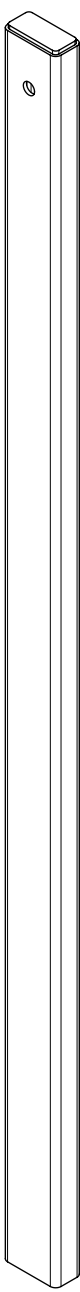
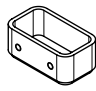
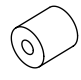


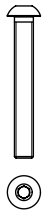





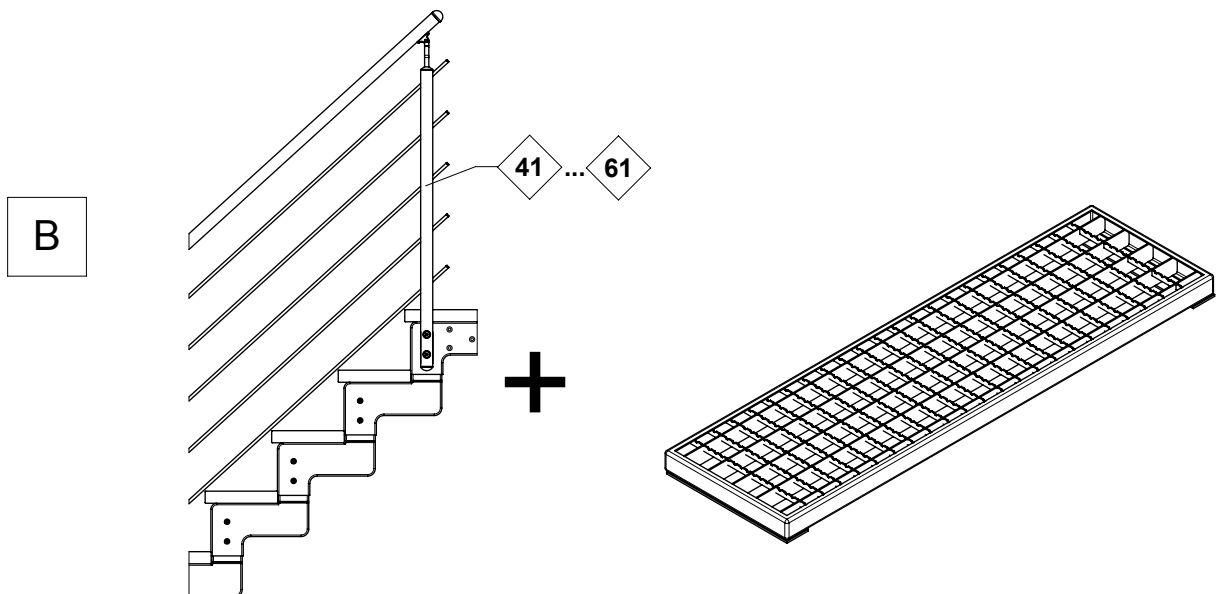
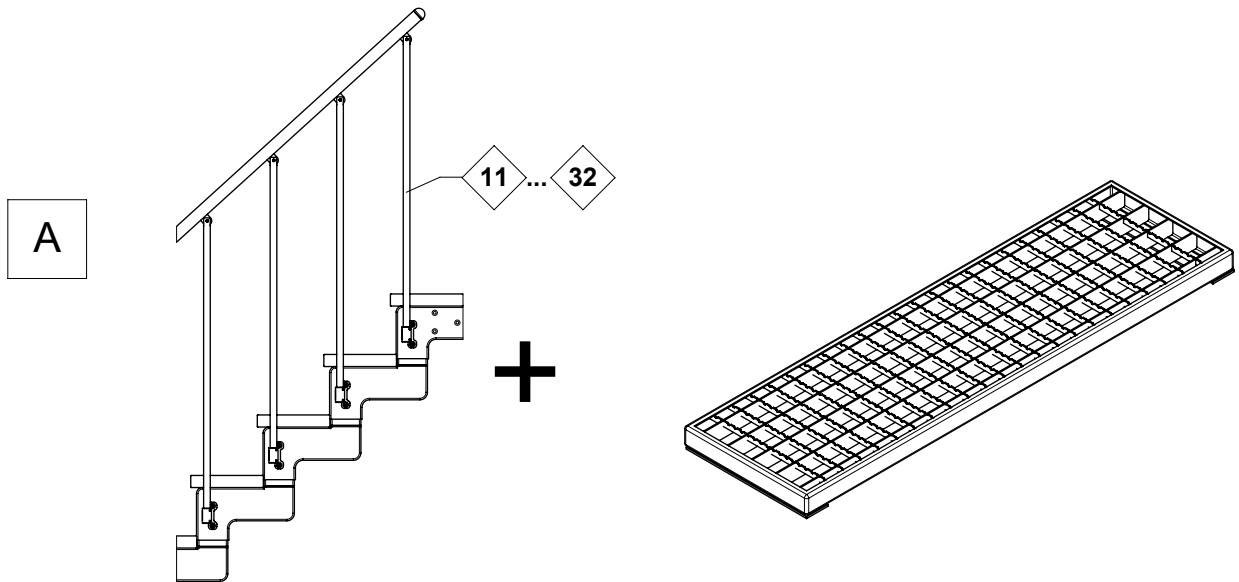
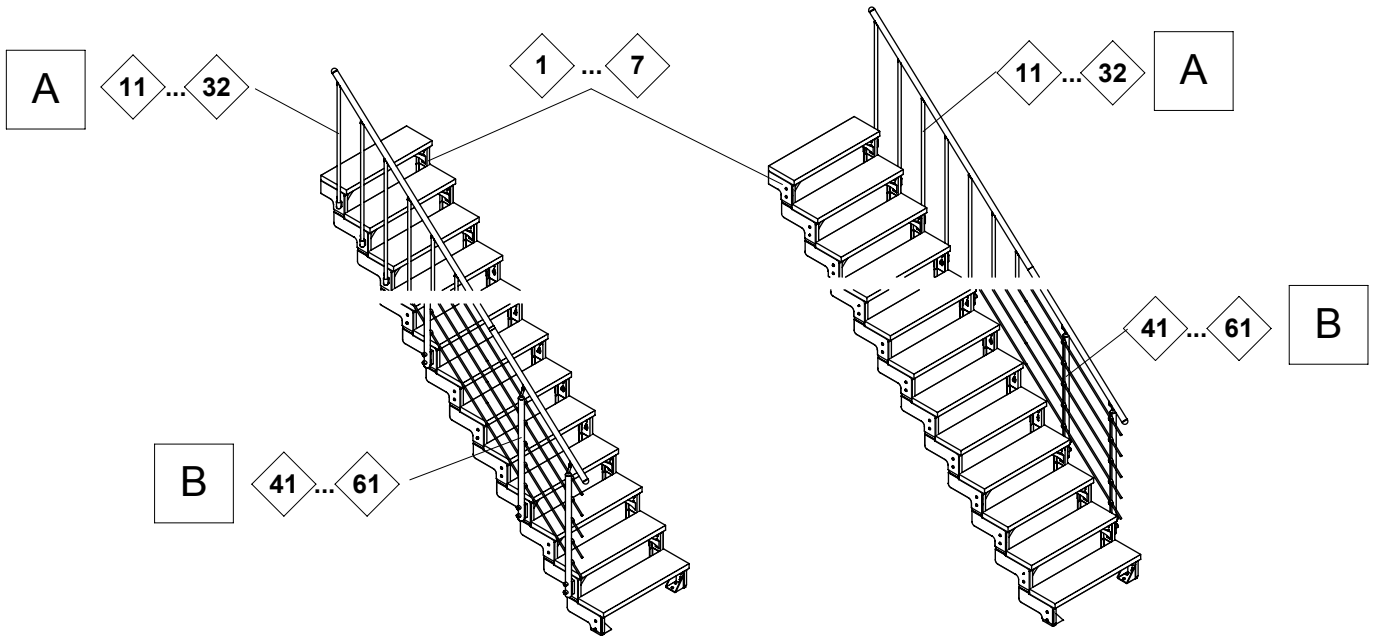
<p>28</p>  <p>× 10 K1-01010</p>	<p>29</p>  <p>× 1 K2-14930</p>	<p>51</p>  <p>× 4 K3-02010 M10 x 70</p>	
--	---	--	--

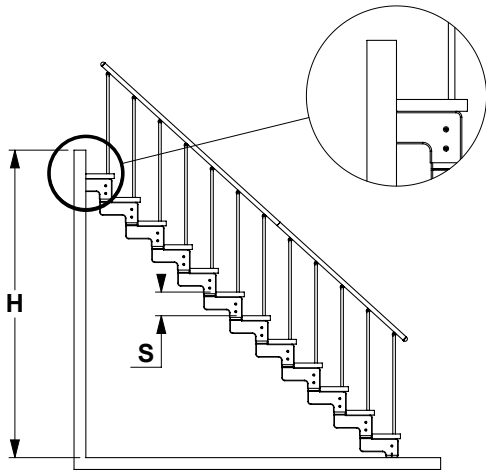
68041

Steiggeländer PROVA Ergänzungs-Set für 4 Stufen
PROVA banister extension for 4 steps

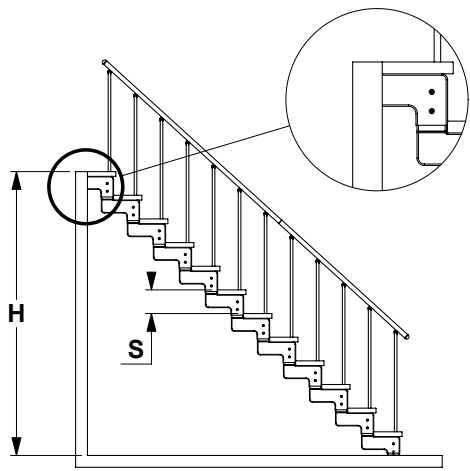
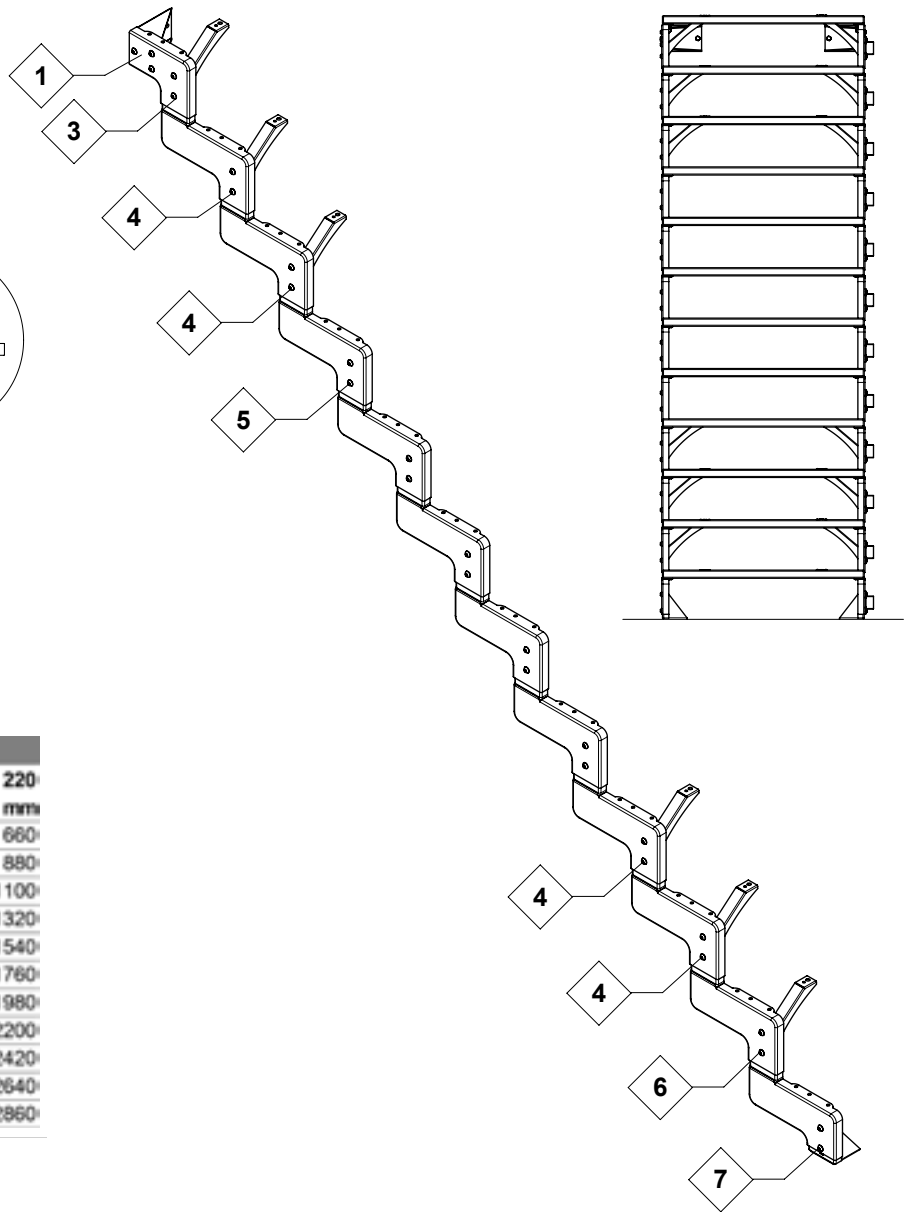


68098		<i>Unterstützung Support</i>			OPTION	
<p>24</p>  <p>× 1 K1-41950</p>	<p>26</p>  <p>× 1 K1-41955</p>	<p>27</p>  <p>× 1 K1-41956</p>	<p>41</p>  <p>× 1 K3-04110 Ø10</p>	<p>43</p>  <p>× 1 K3-03051 M10</p>	<p>52</p>  <p>× 1 K3-02375 M10 x 75</p>	
	<p>53</p>  <p>× 2 K3-05007 M5 x 5</p>	<p>54</p>  <p>× 1 K3-08002 Ø8 x 40</p>	<p>55</p>  <p>× 1 K3-06032 Ø6 x 60</p>			

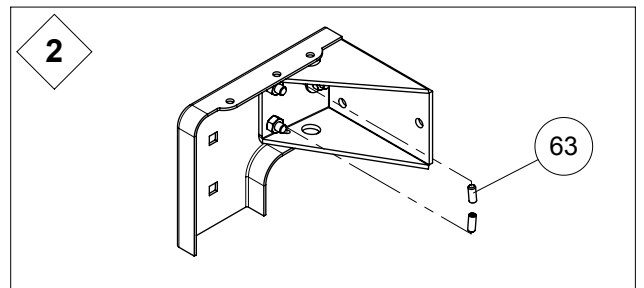
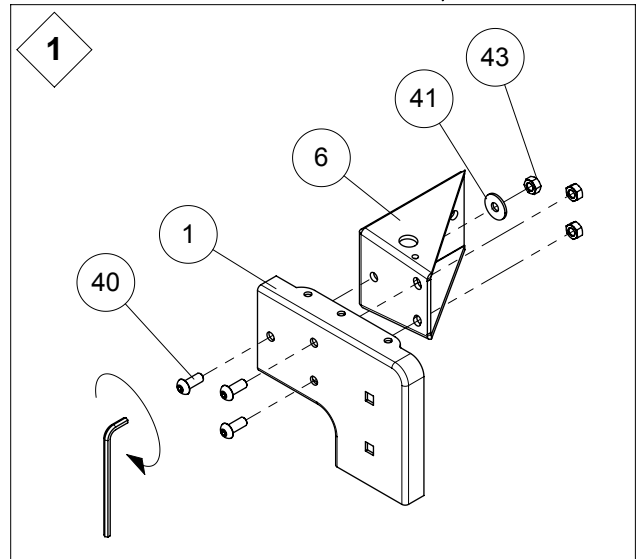


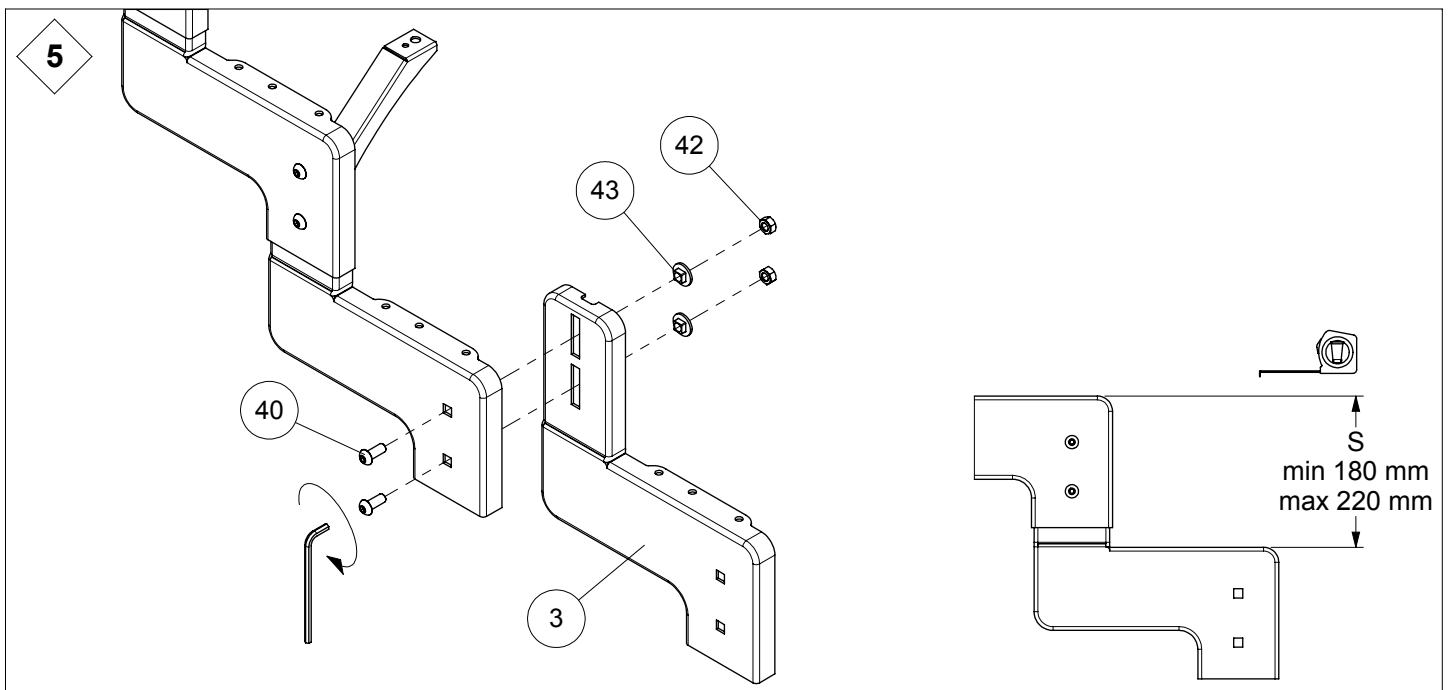
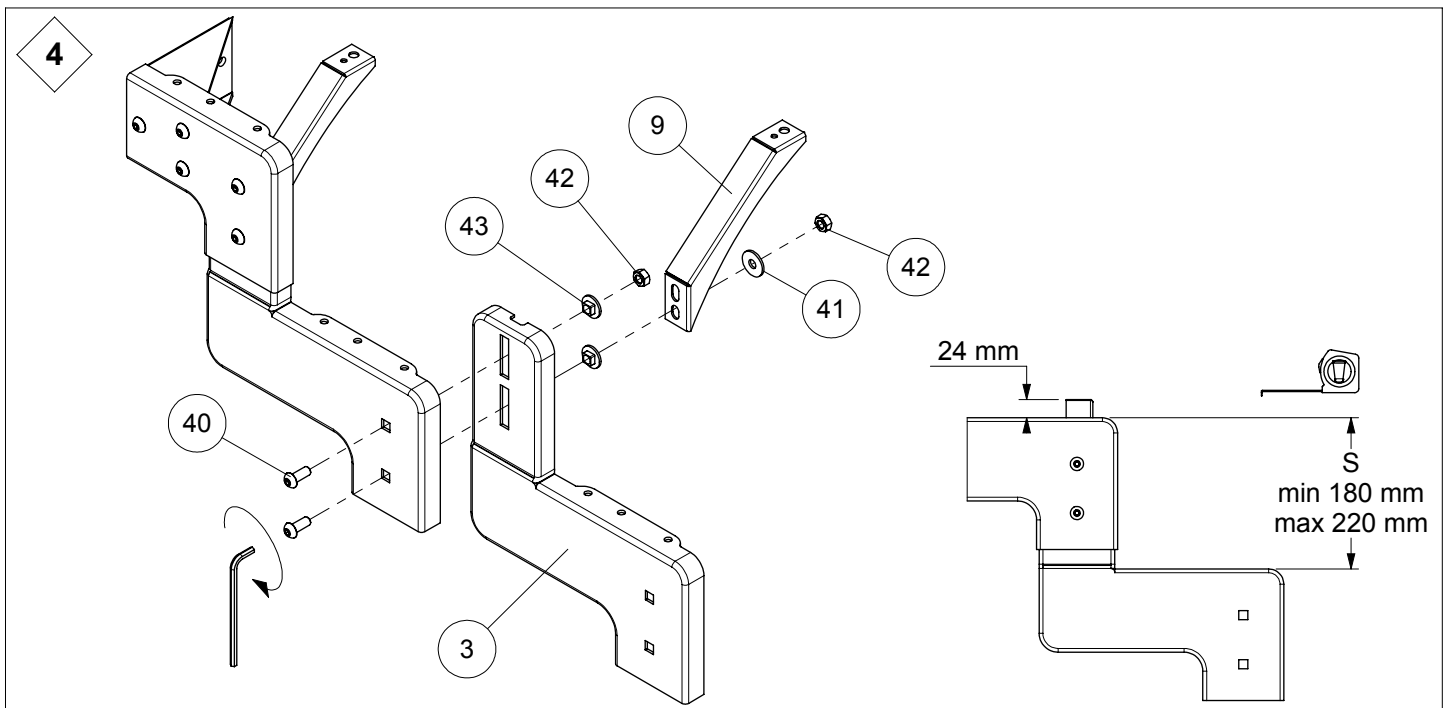
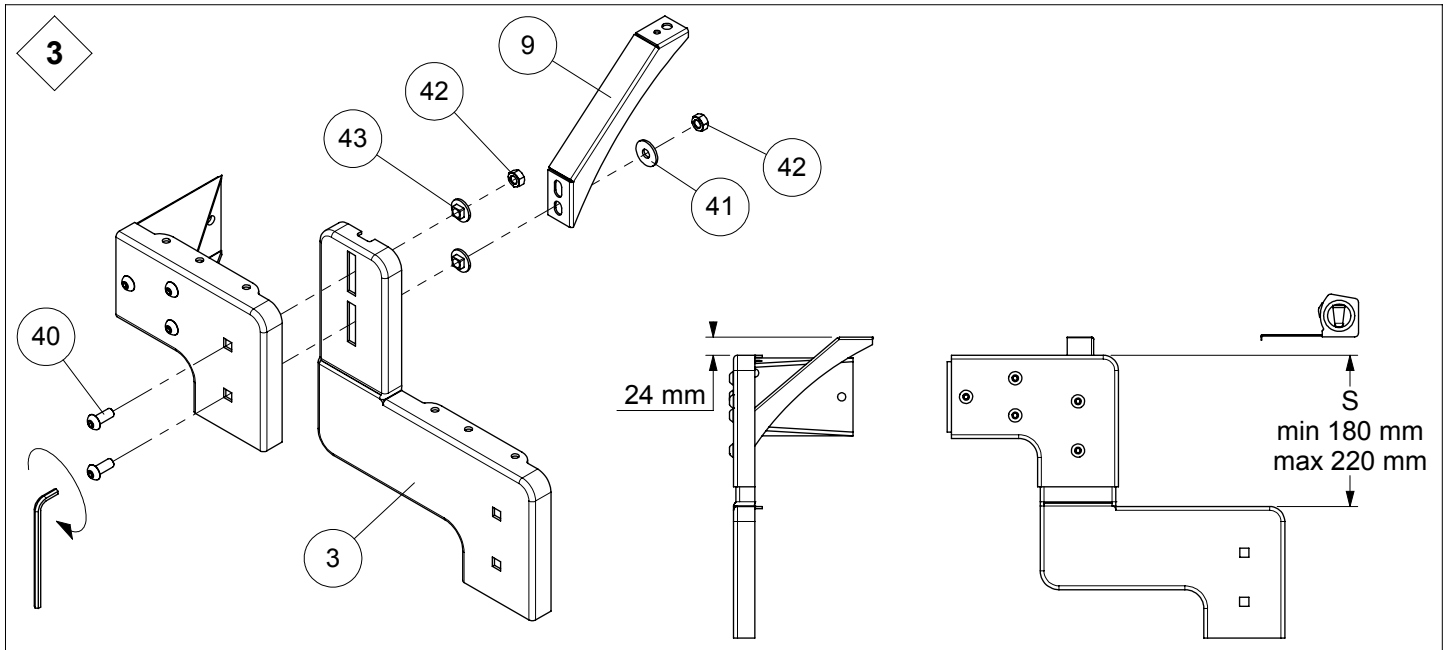


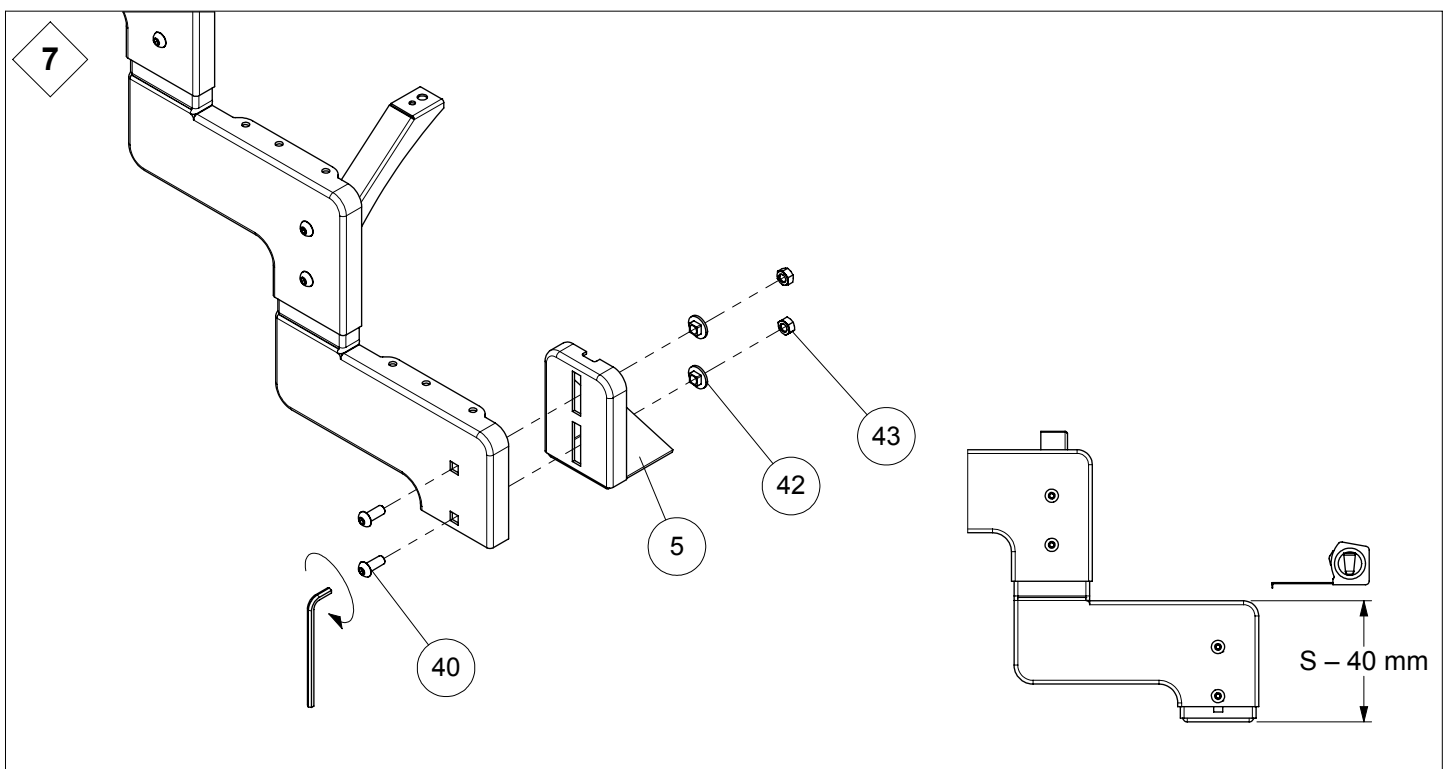
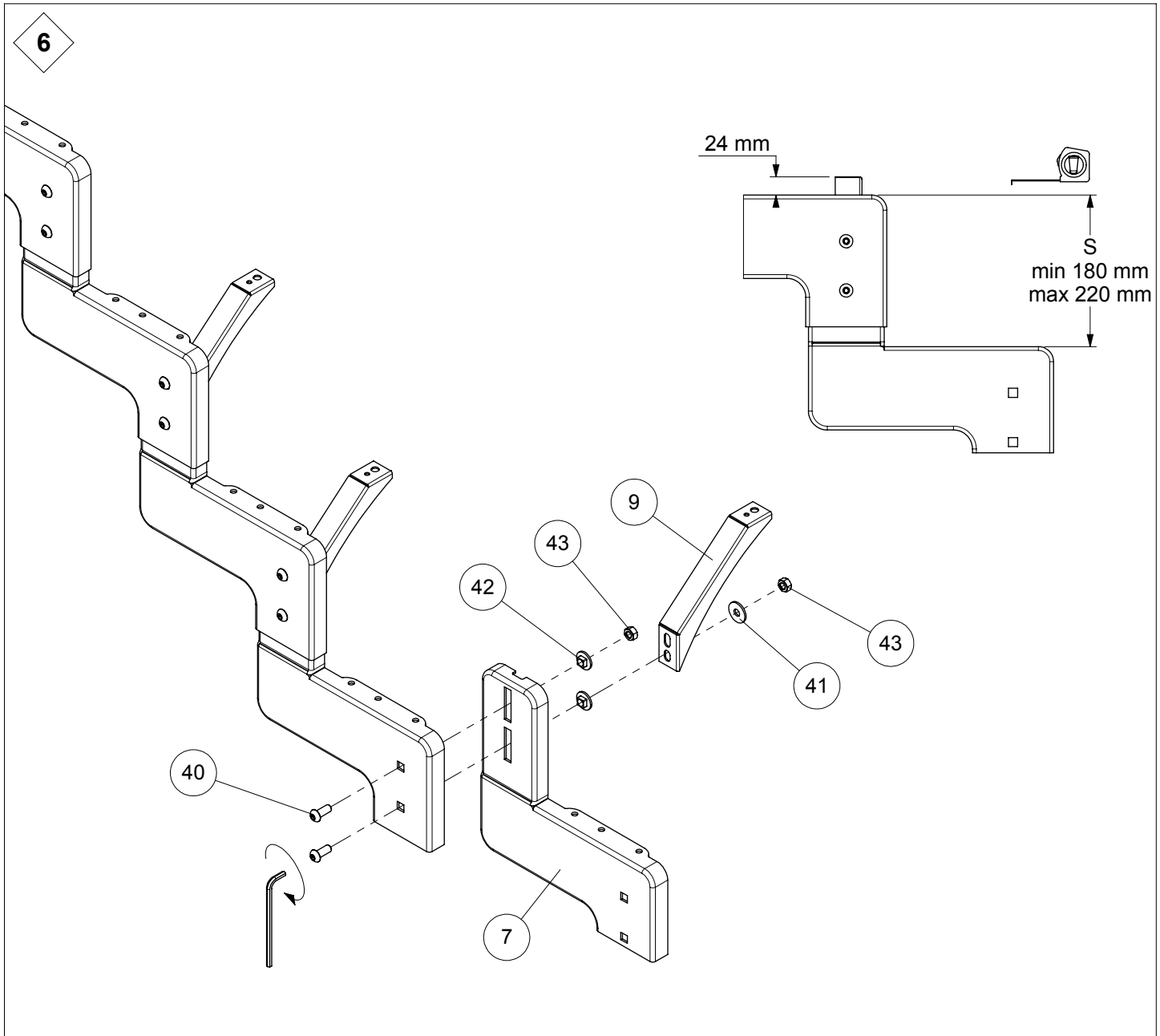
H	S				
	180	190	200	210	220
	mm	mm	mm	mm	mm
2	540	570	600	630	660
3	720	760	800	840	880
4	900	950	1000	1050	1100
5	1080	1140	1200	1260	1320
6	1260	1330	1400	1470	1540
7	1440	1520	1600	1680	1760
8	1620	1710	1800	1890	1980
9	1800	1900	2000	2100	2200
10	1980	2090	2200	2310	2420
11	2160	2280	2400	2520	2640
12	2340	2470	2600	2730	2860

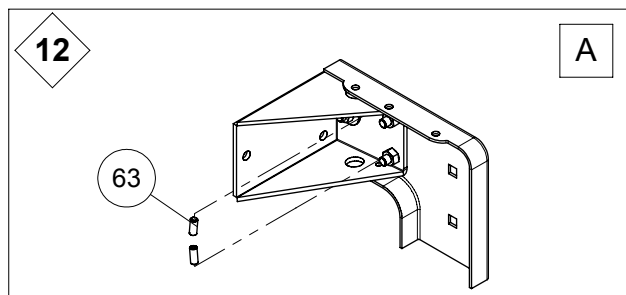
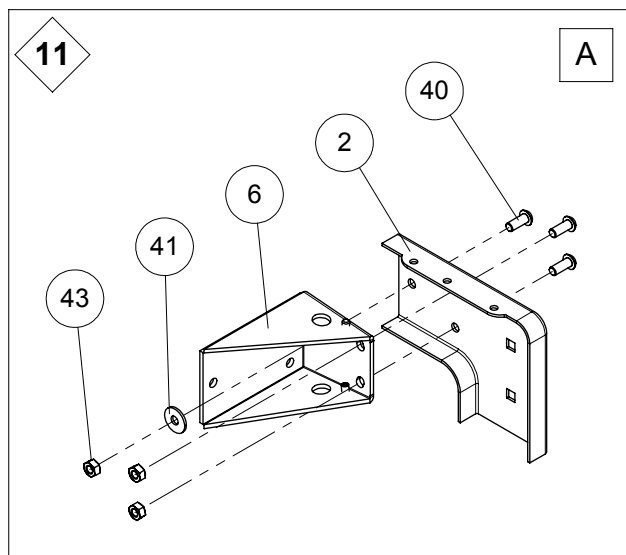
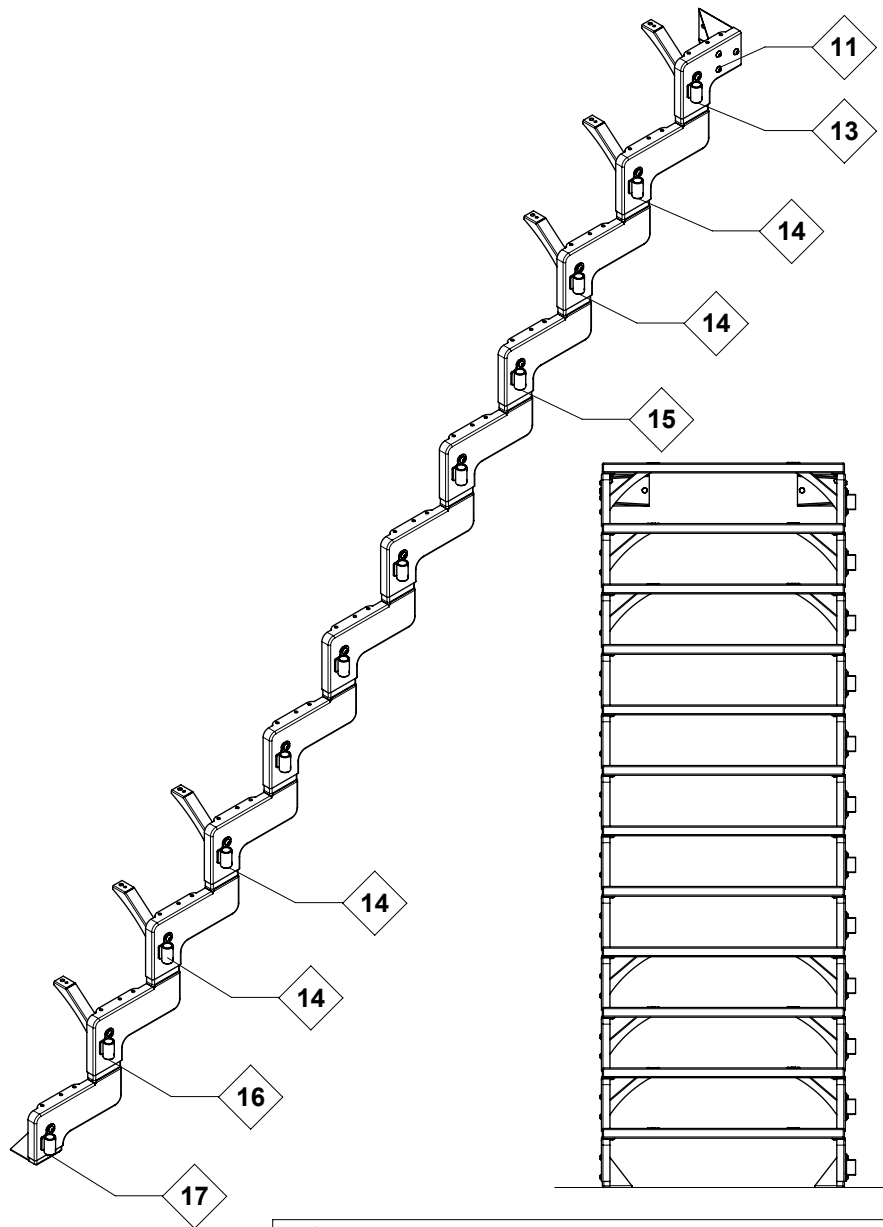


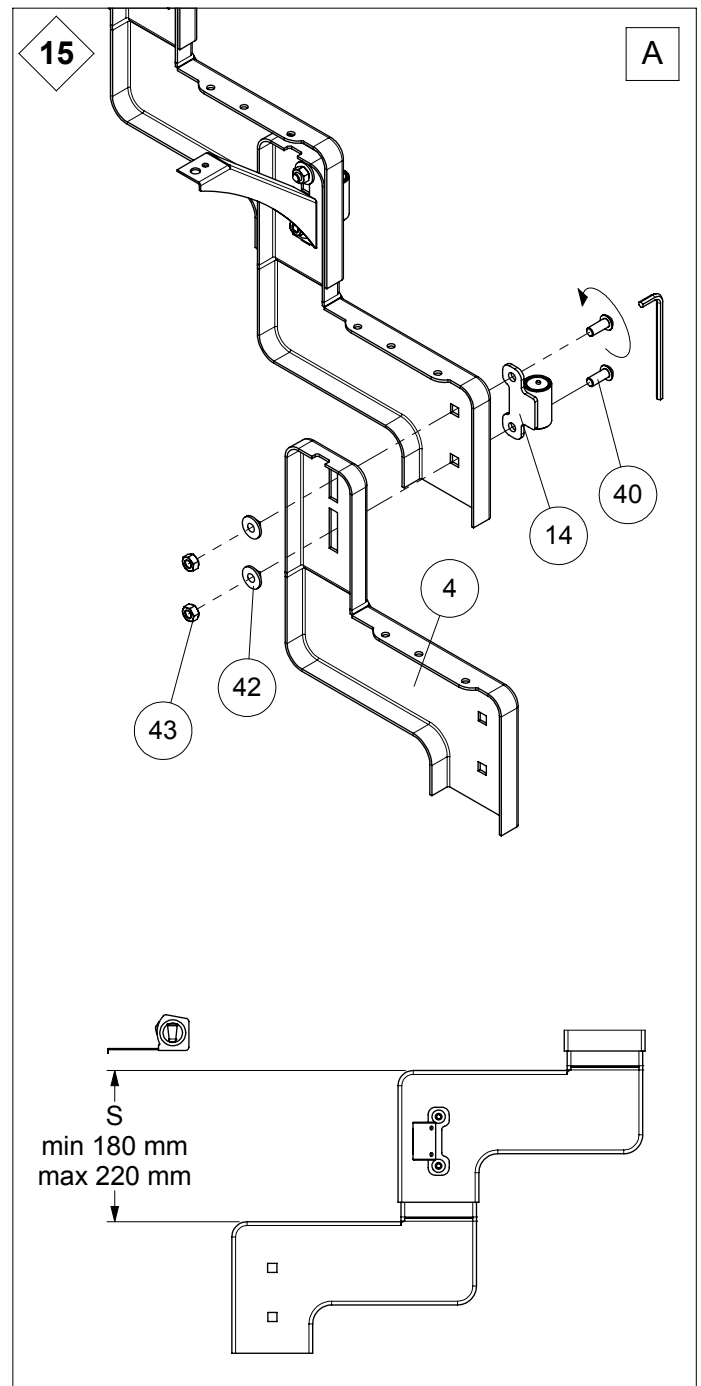
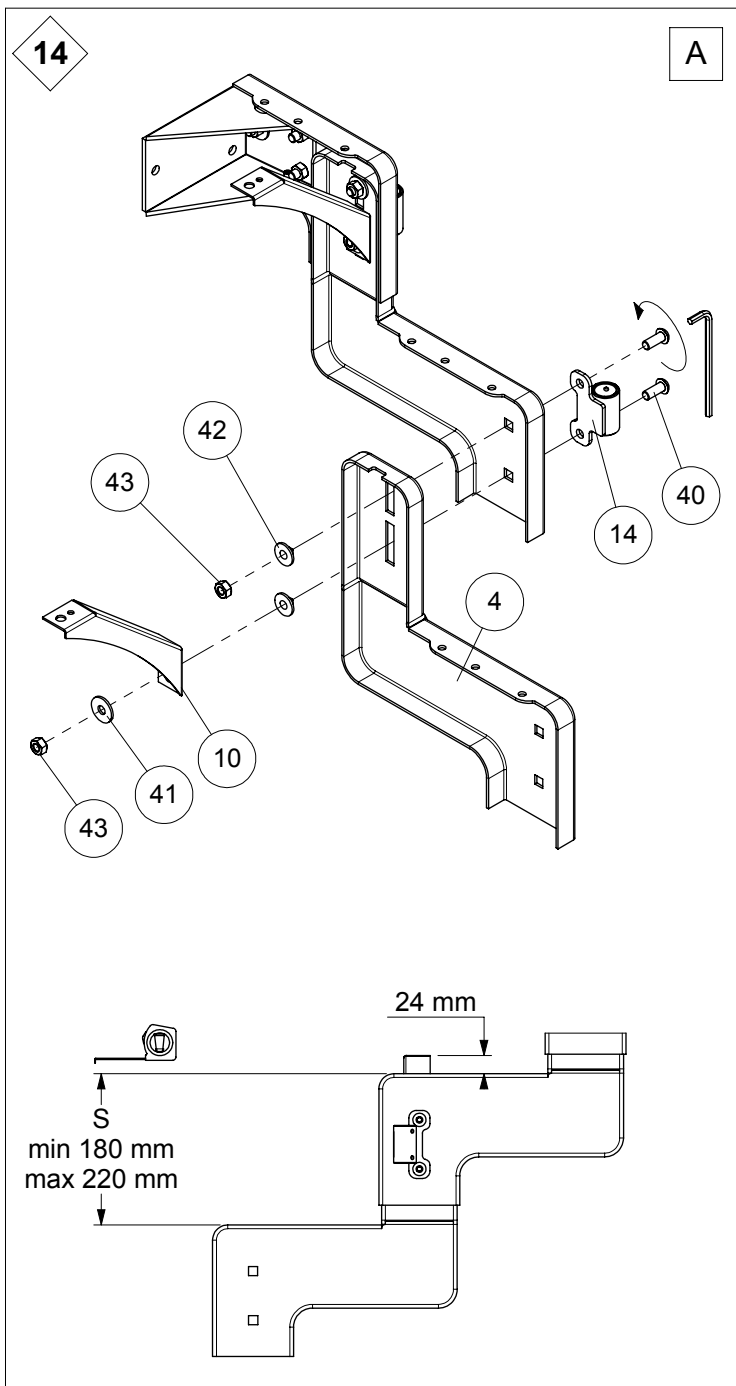
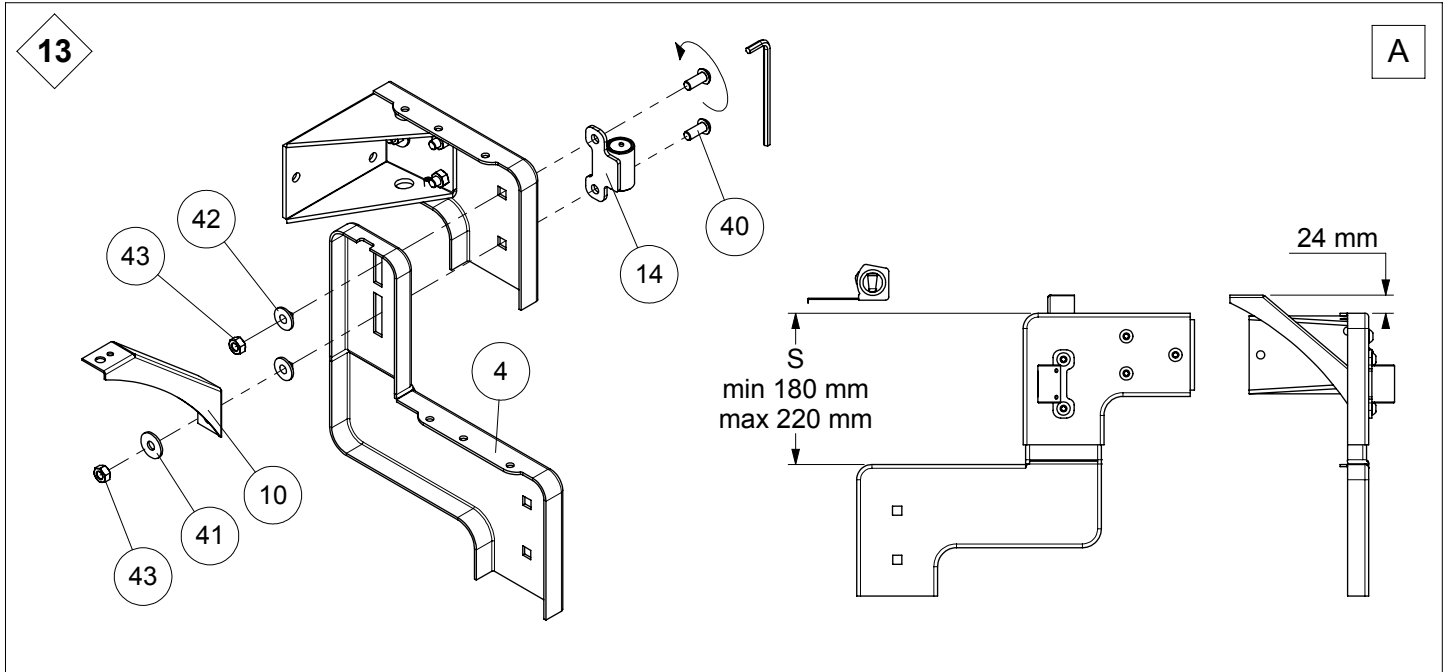
H	S				
	180	190	200	210	220
	mm	mm	mm	mm	mm
2	360	380	400	420	440
3	540	570	600	630	660
4	720	760	800	840	880
5	900	950	1000	1050	1100
6	1080	1140	1200	1260	1320
7	1260	1330	1400	1470	1540
8	1440	1520	1600	1680	1760
9	1620	1710	1800	1890	1980
10	1800	1900	2000	2100	2200
11	1980	2090	2200	2310	2420
12	2160	2280	2400	2520	2640





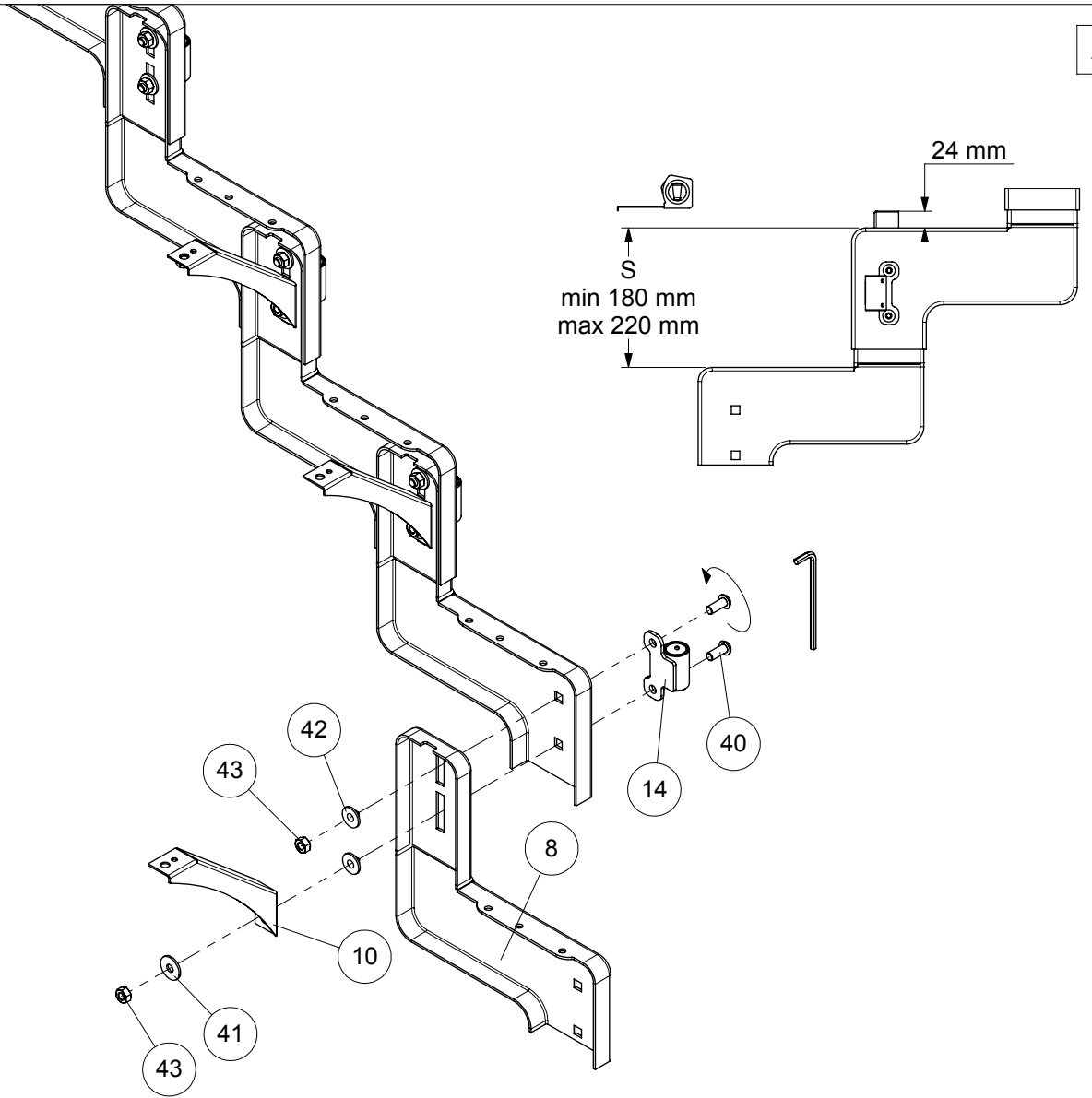






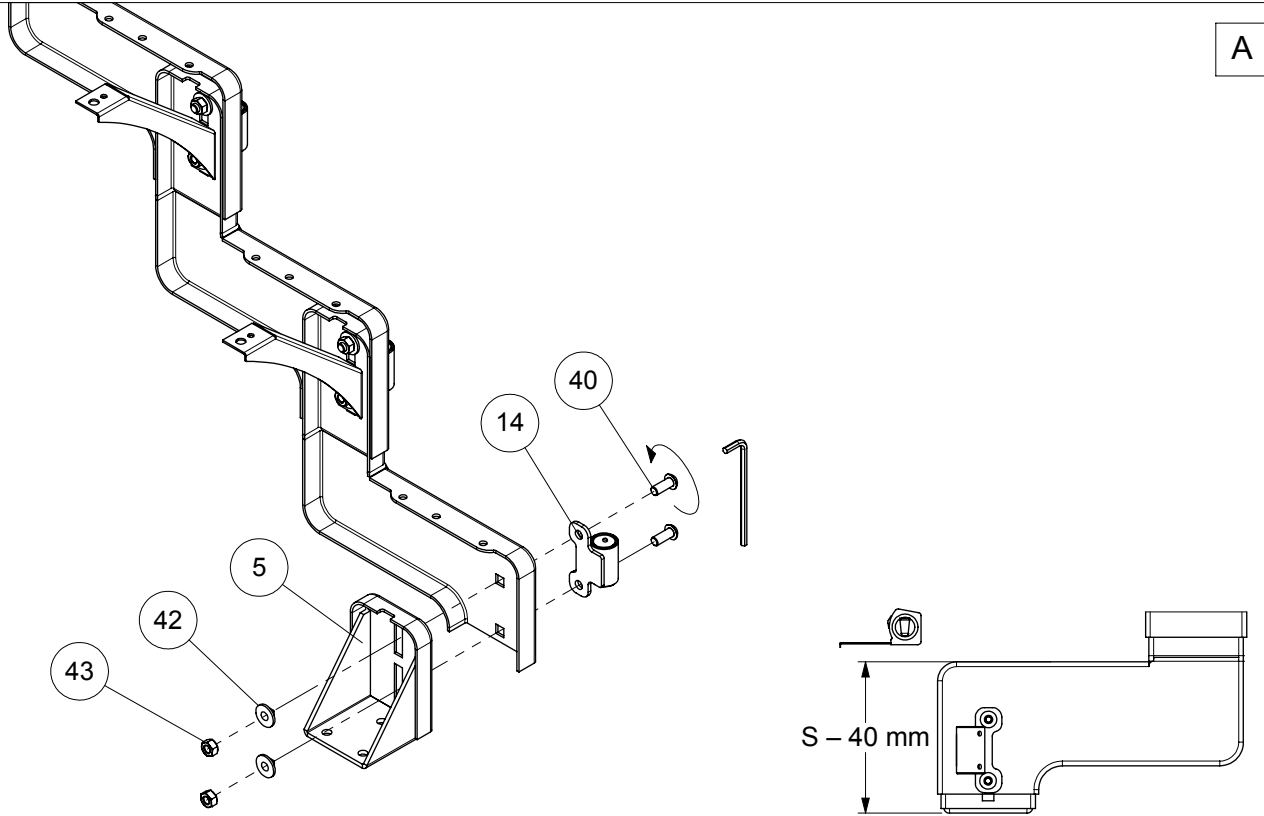
16

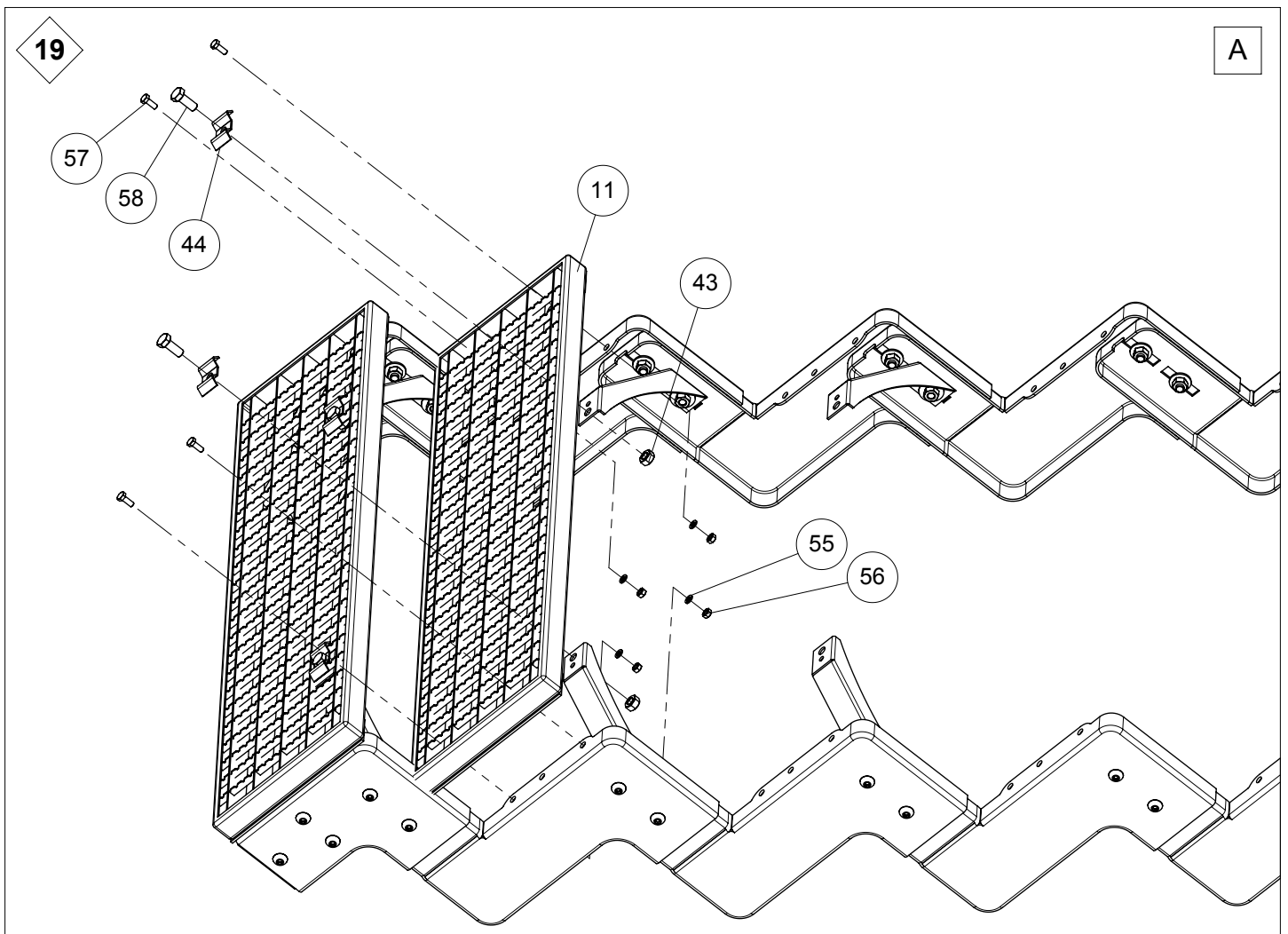
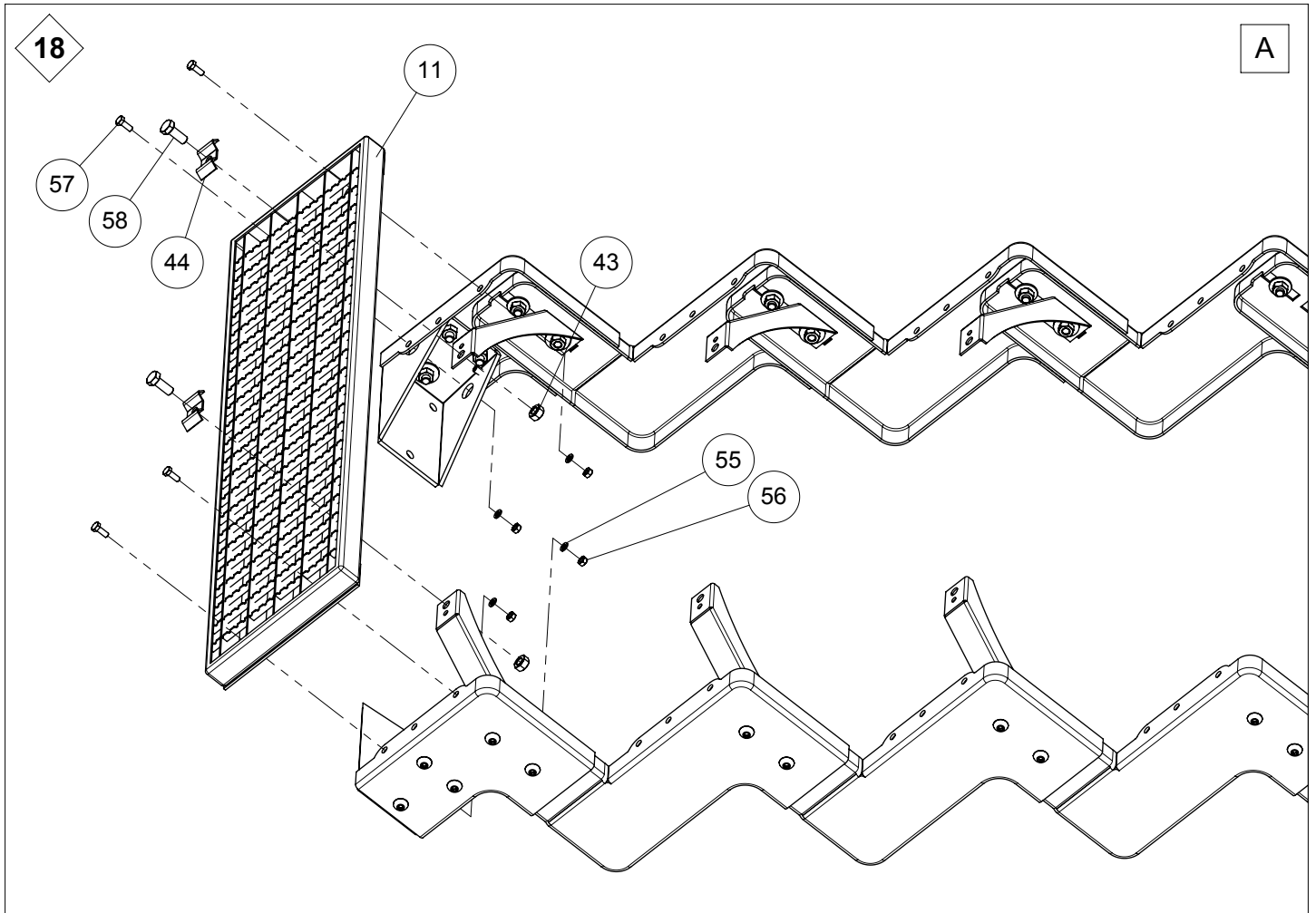
A



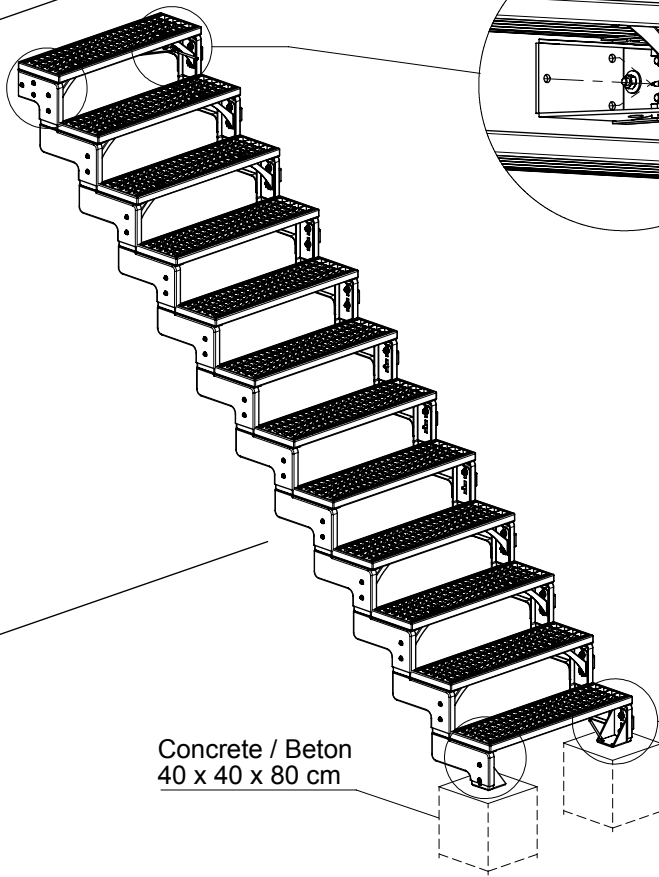
17

A

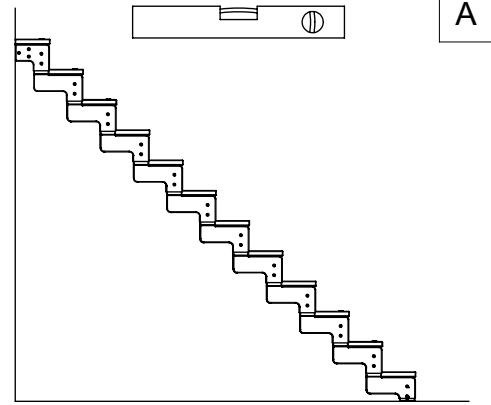




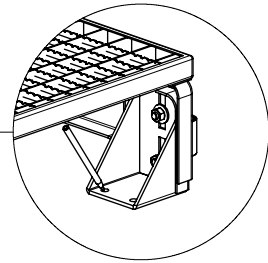
20



Concrete / Beton
40 x 40 x 80 cm

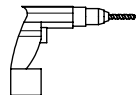


A



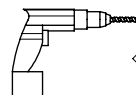
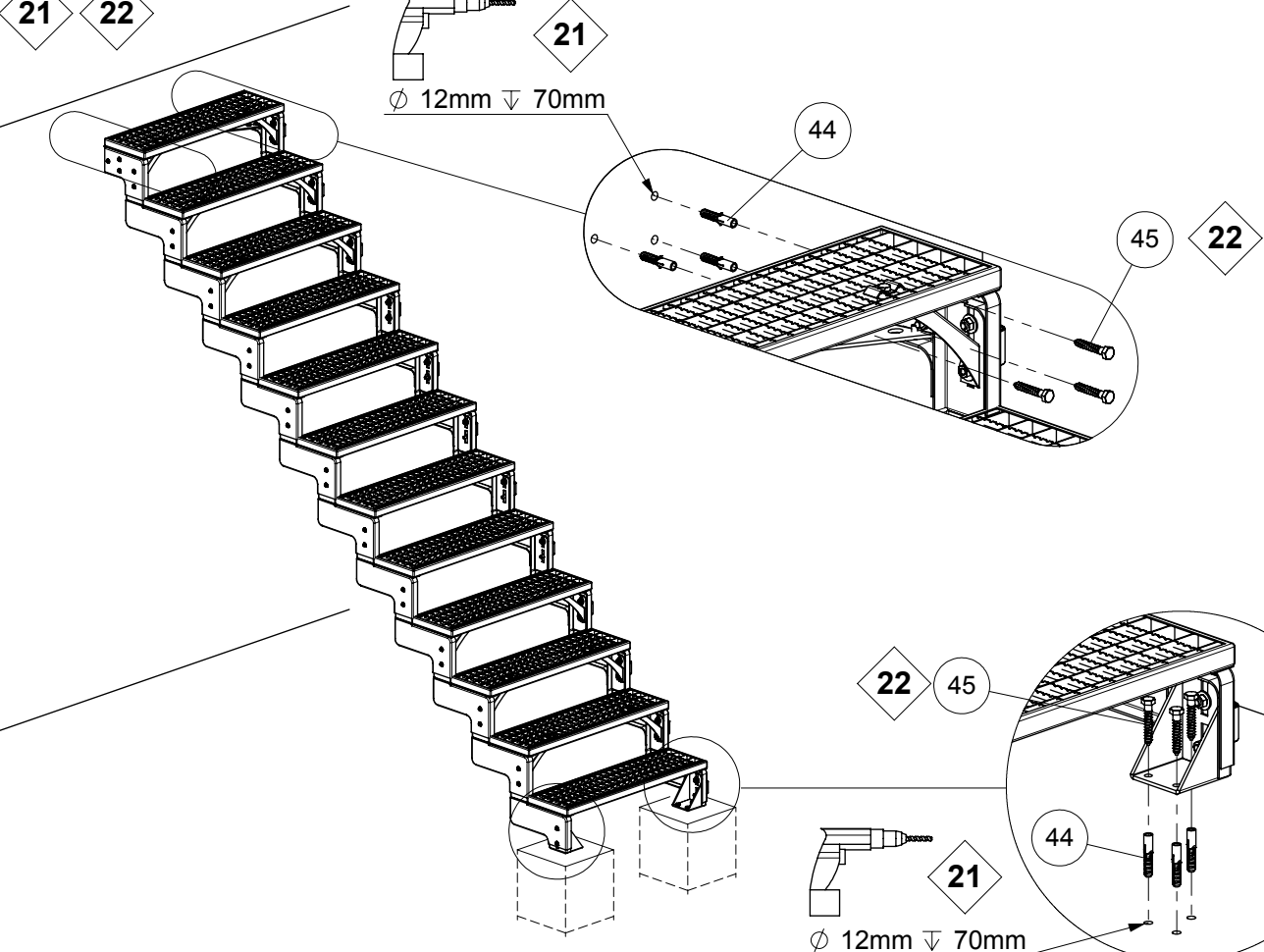
21

22



21

Ø 12mm ▽ 70mm



21

Ø 12mm ▽ 70mm

44

45

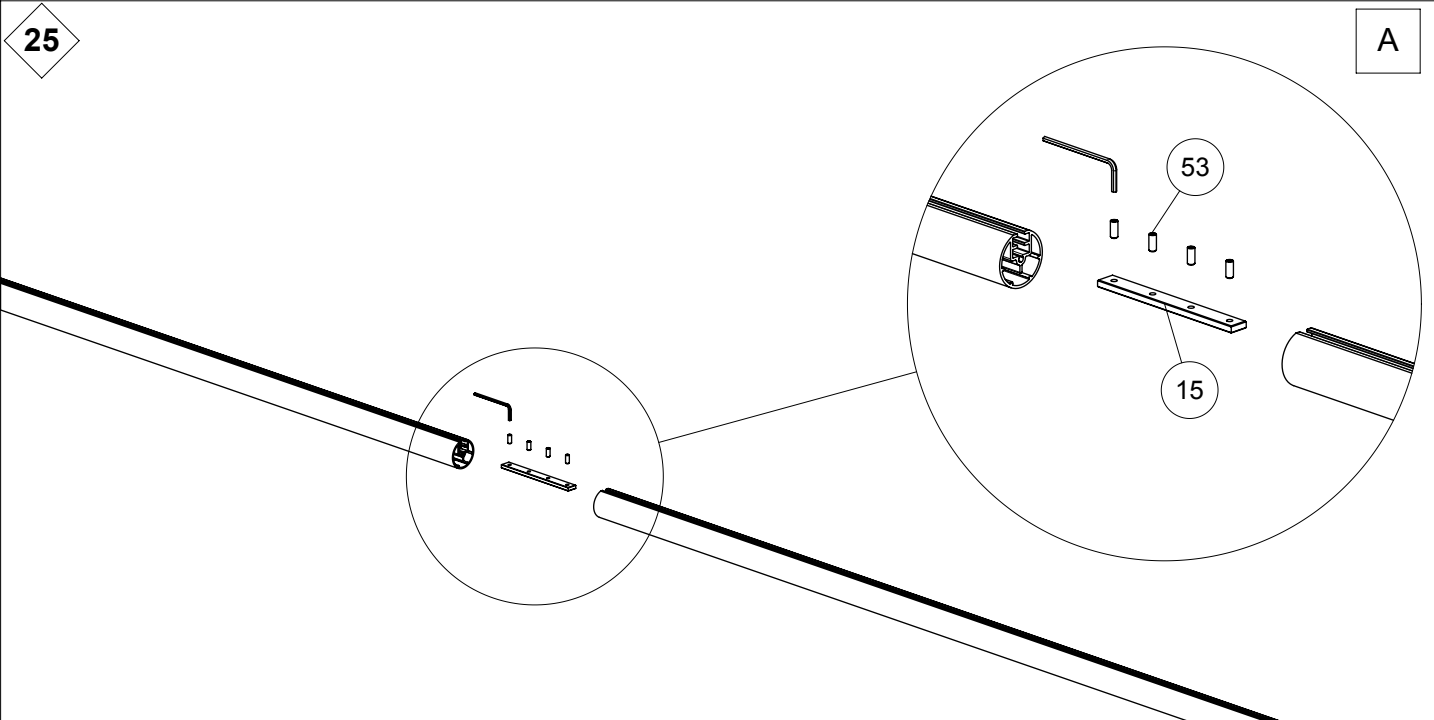
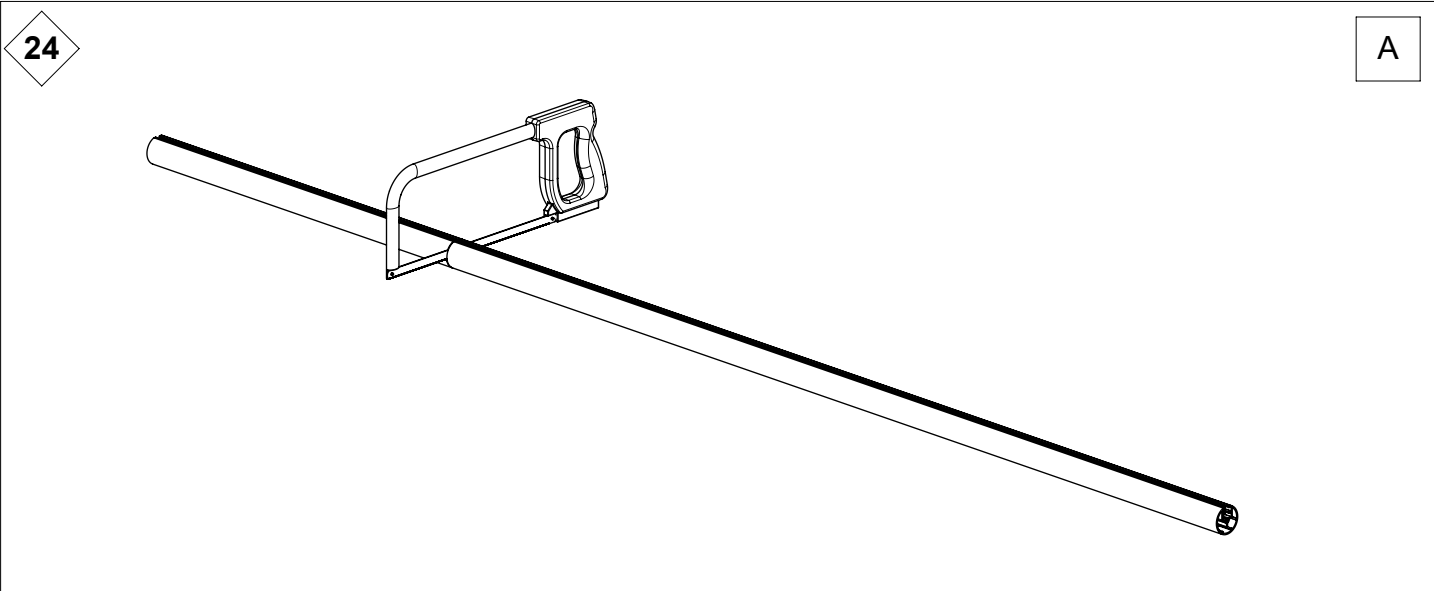
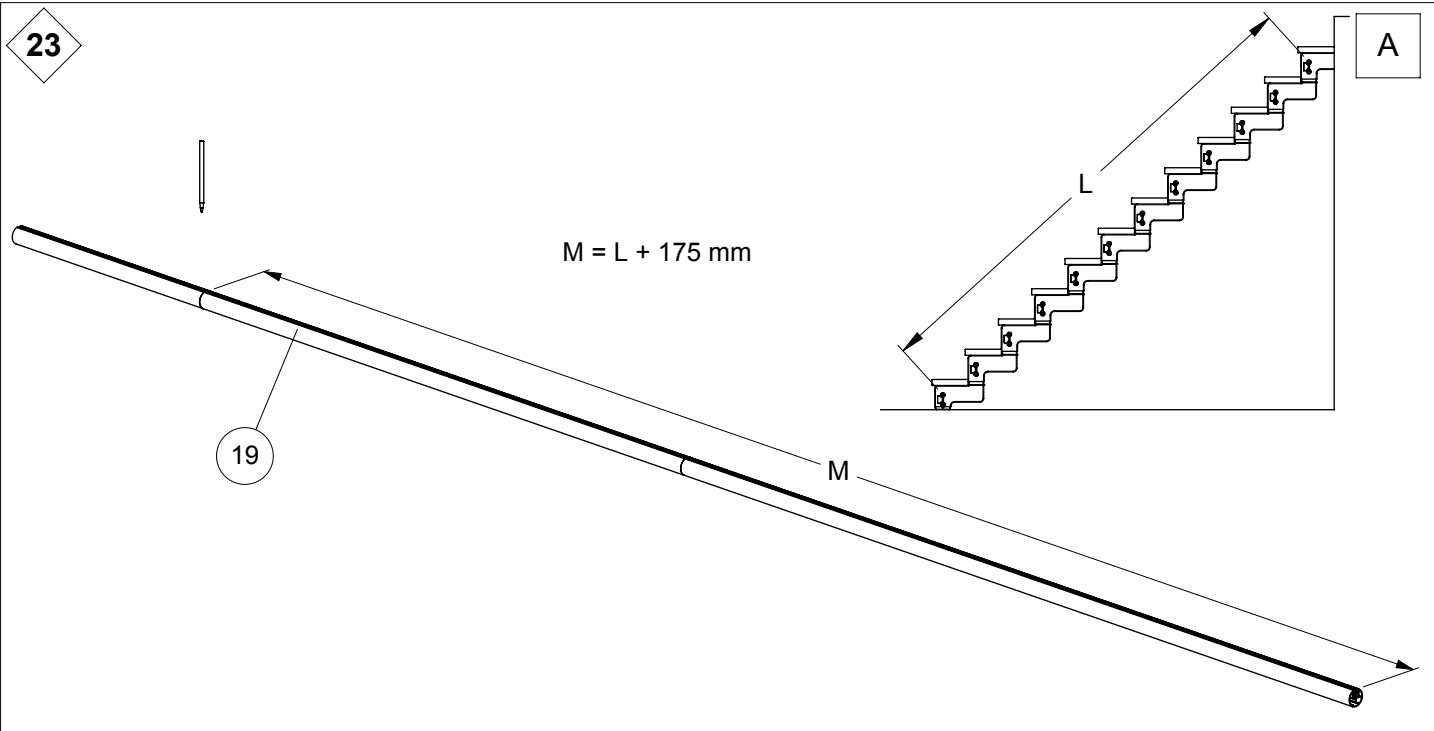
22

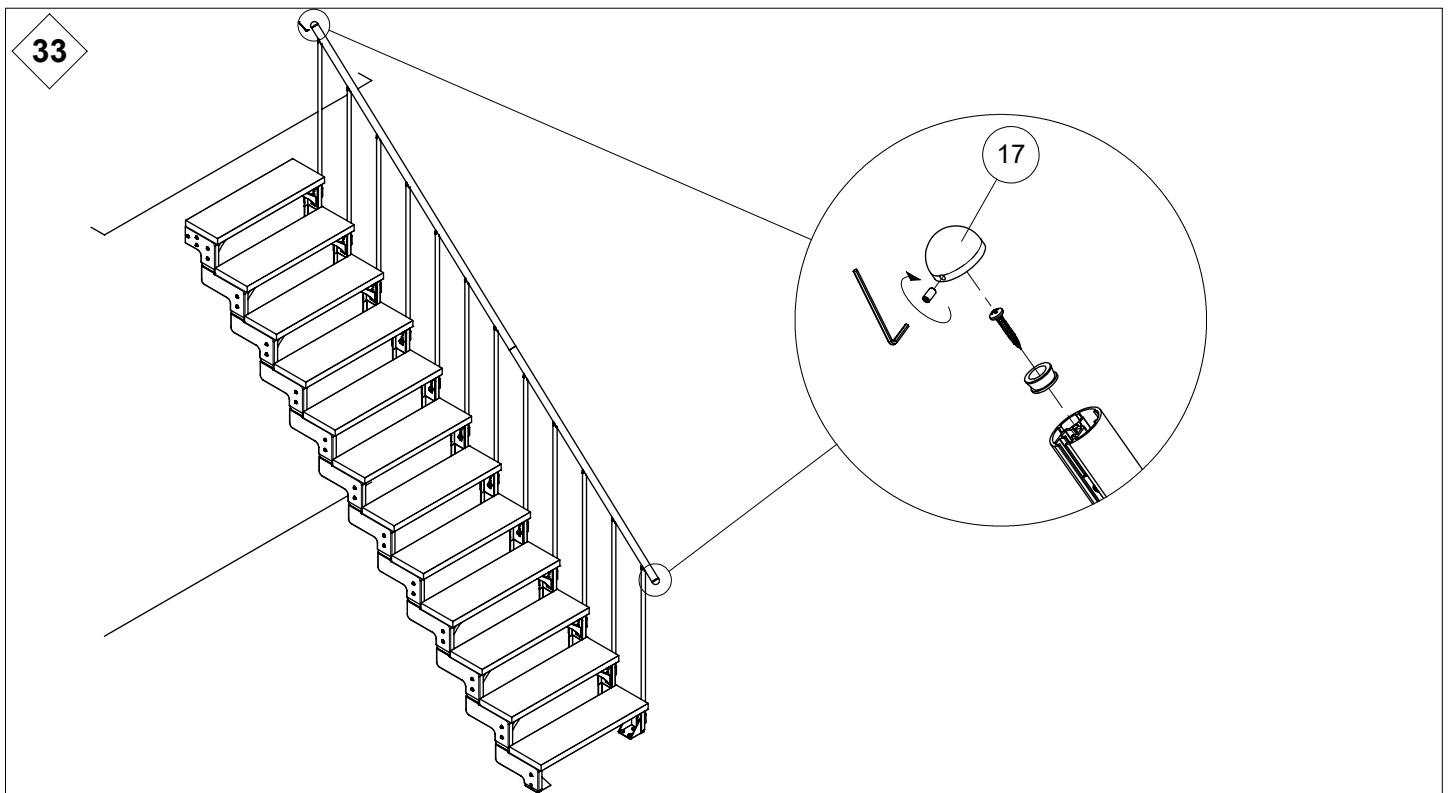
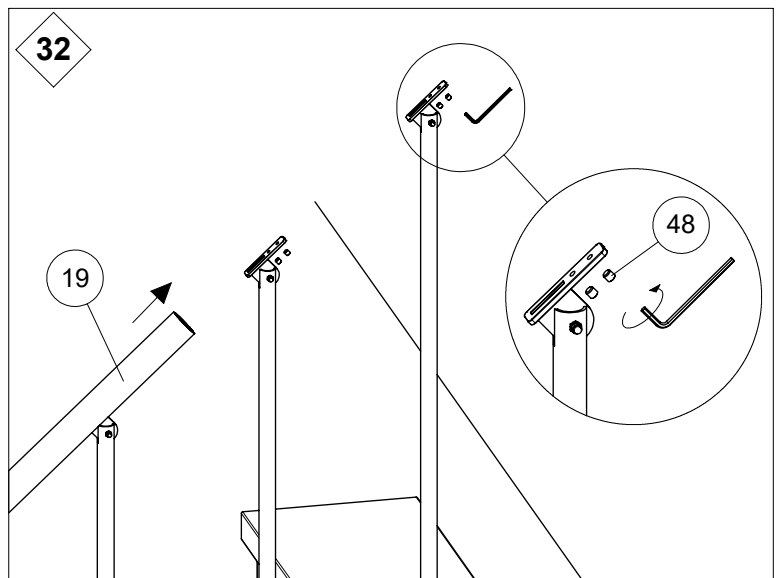
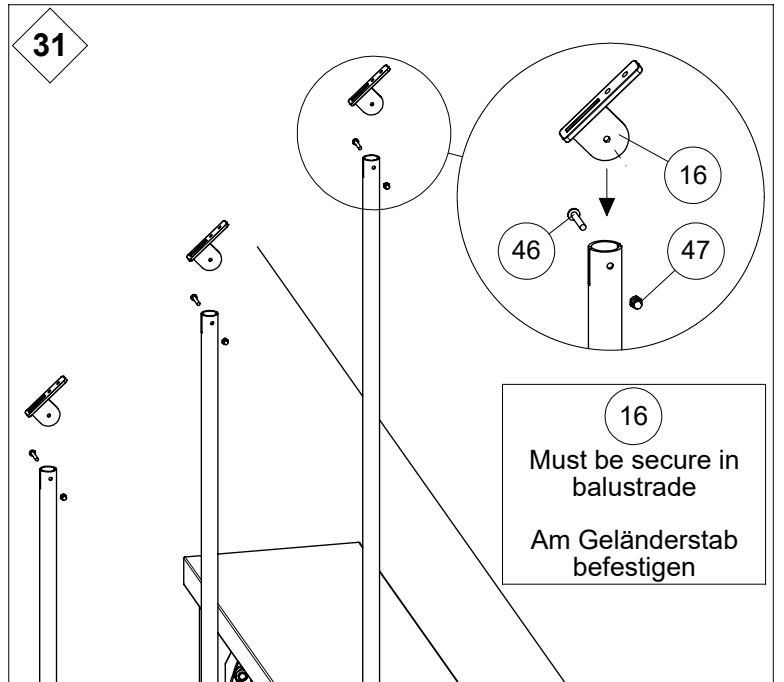
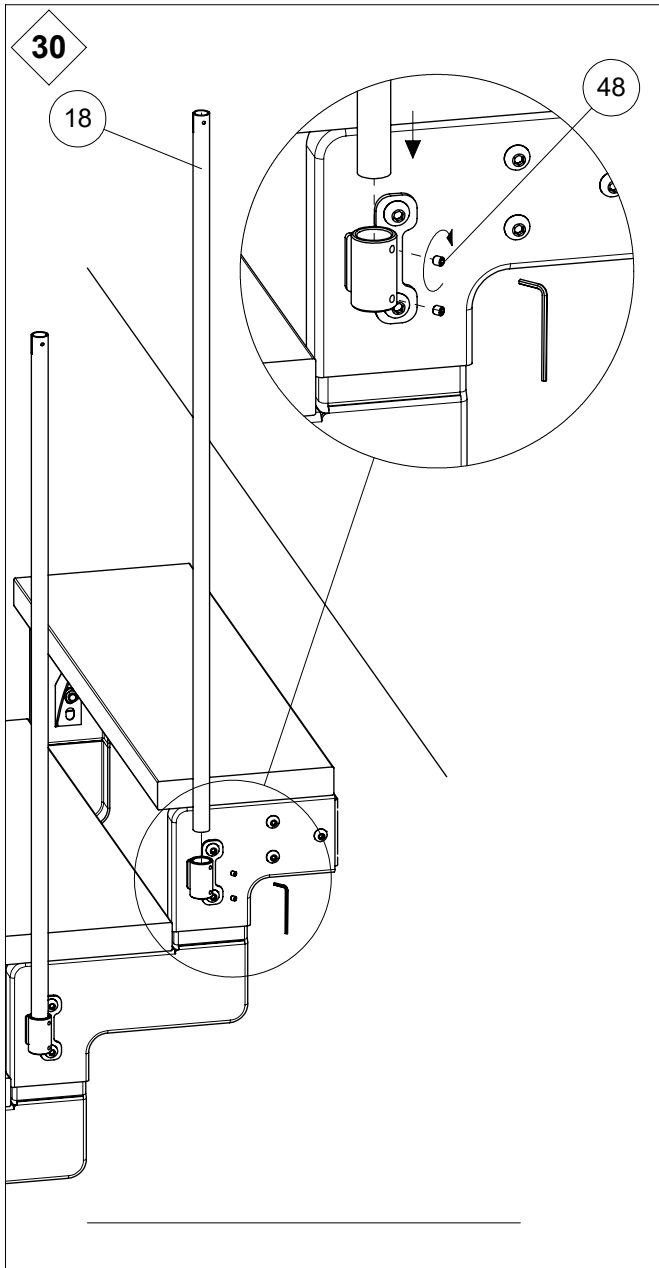
22

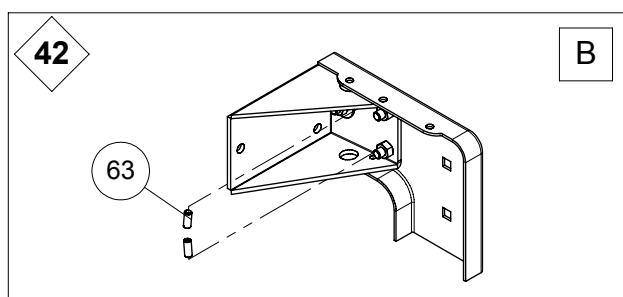
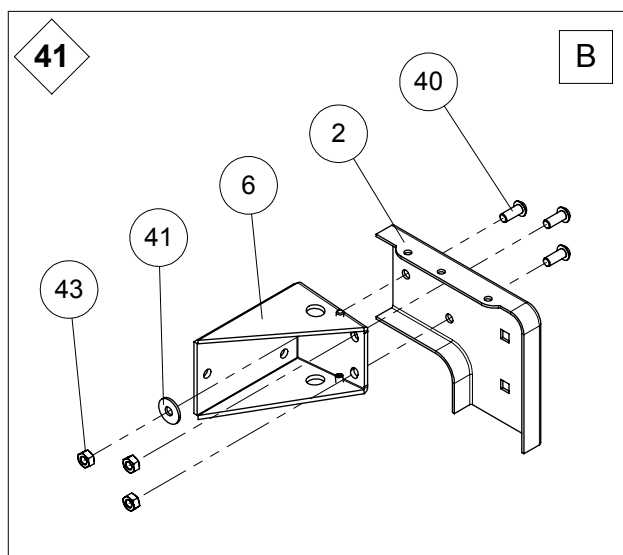
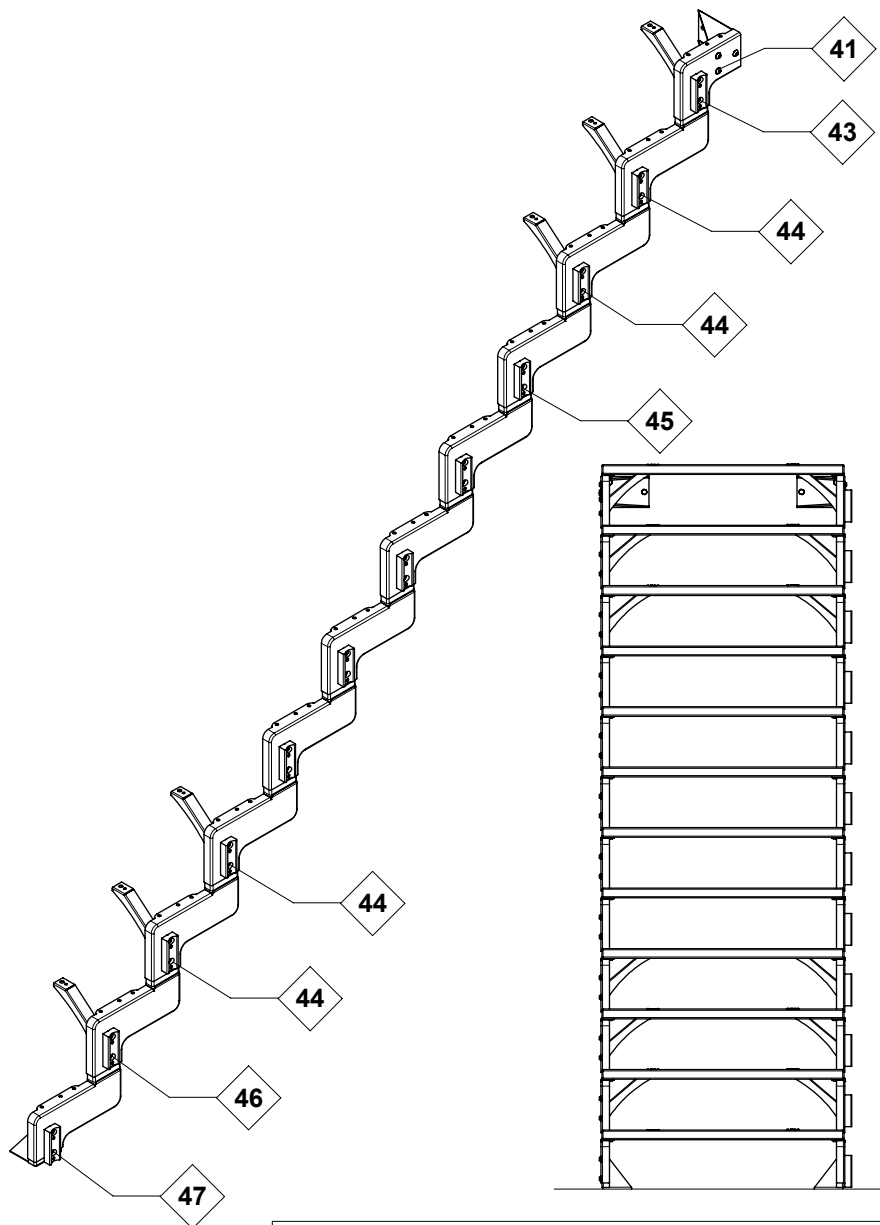
45

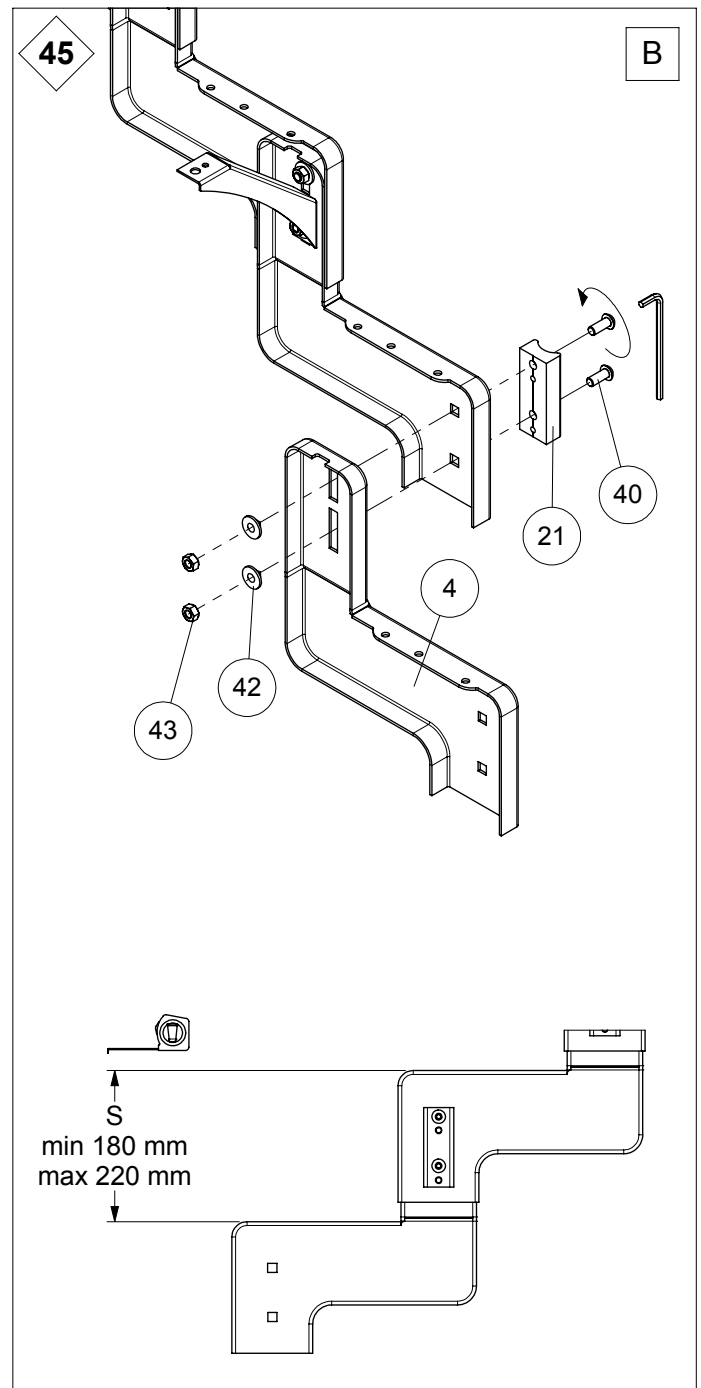
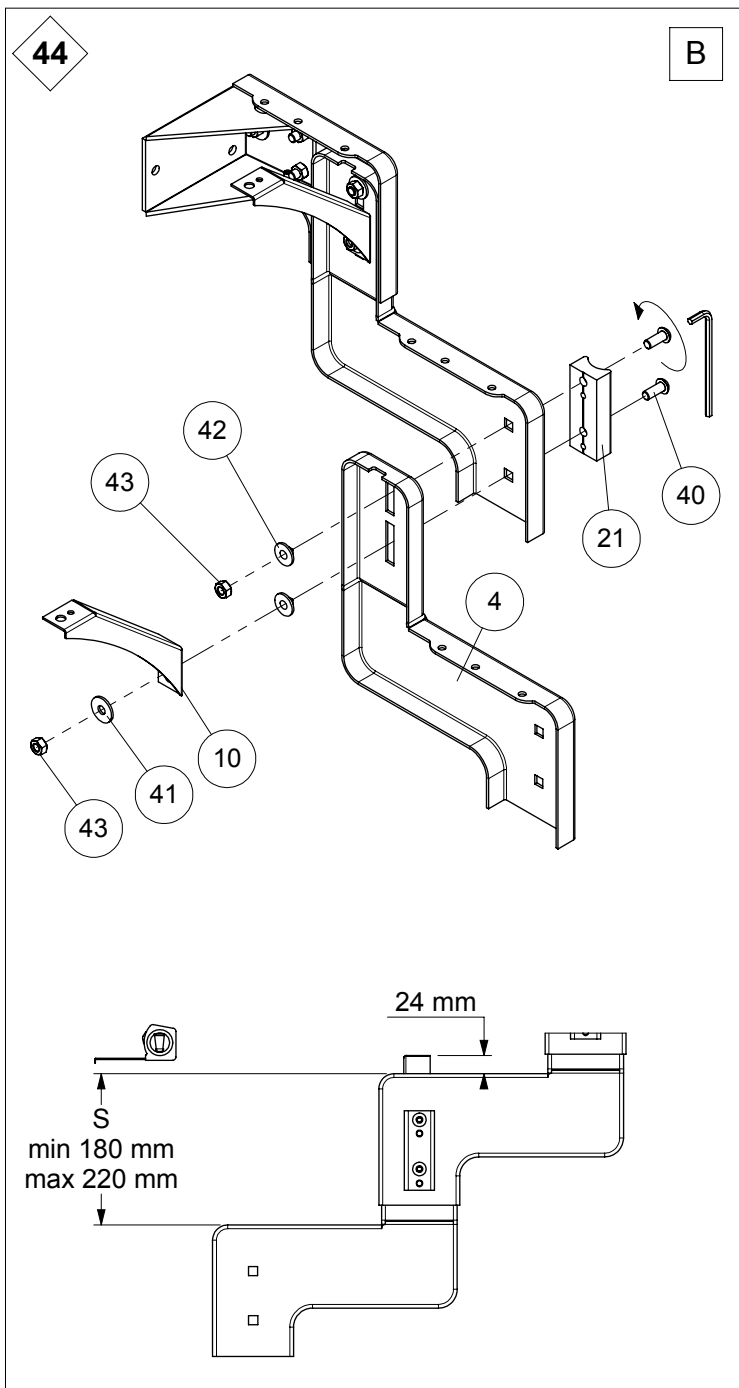
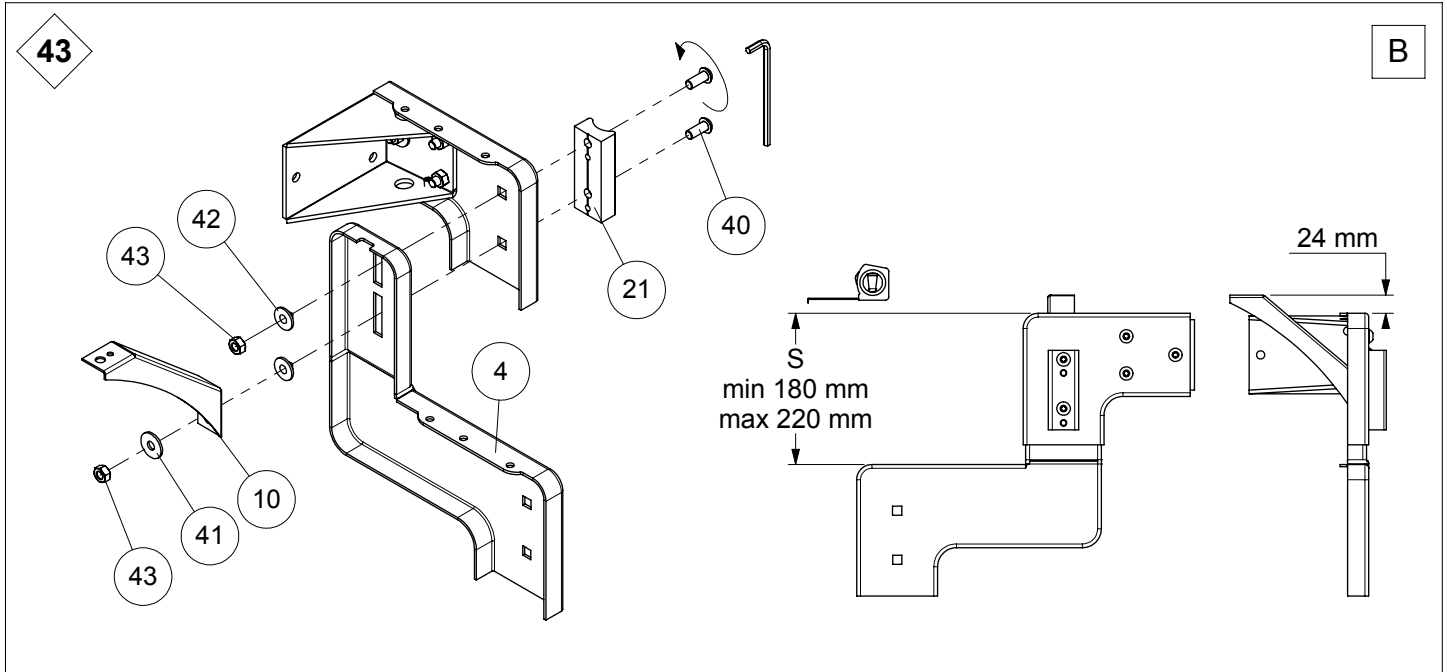
44

A



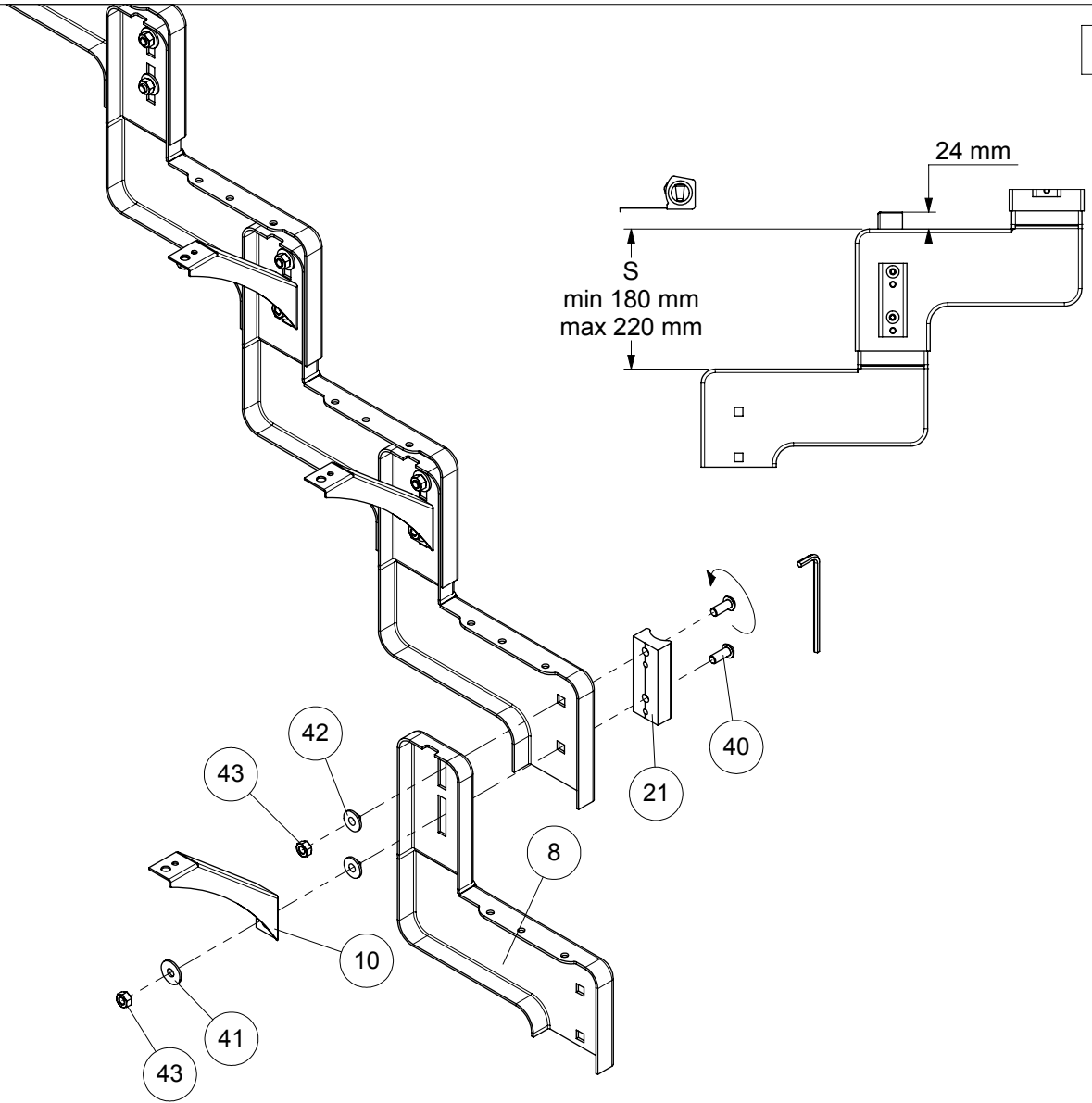






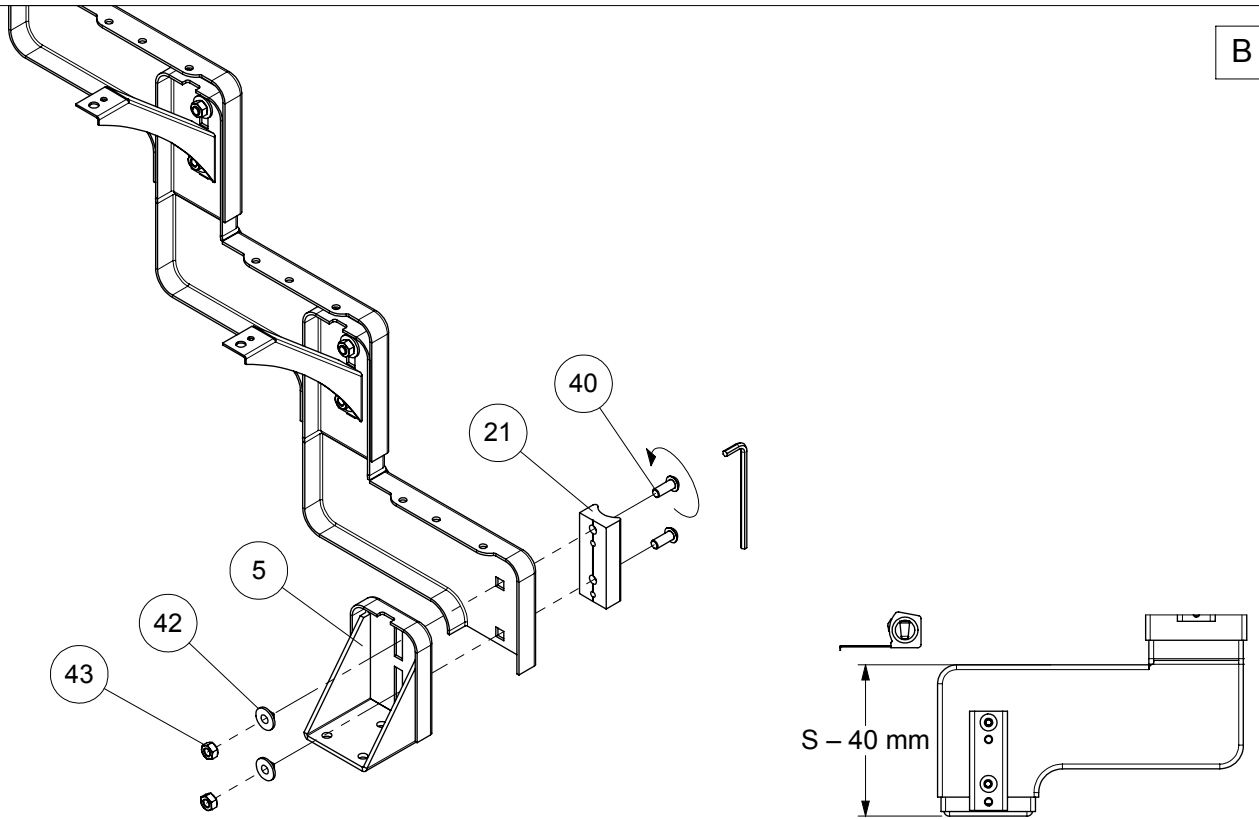
46

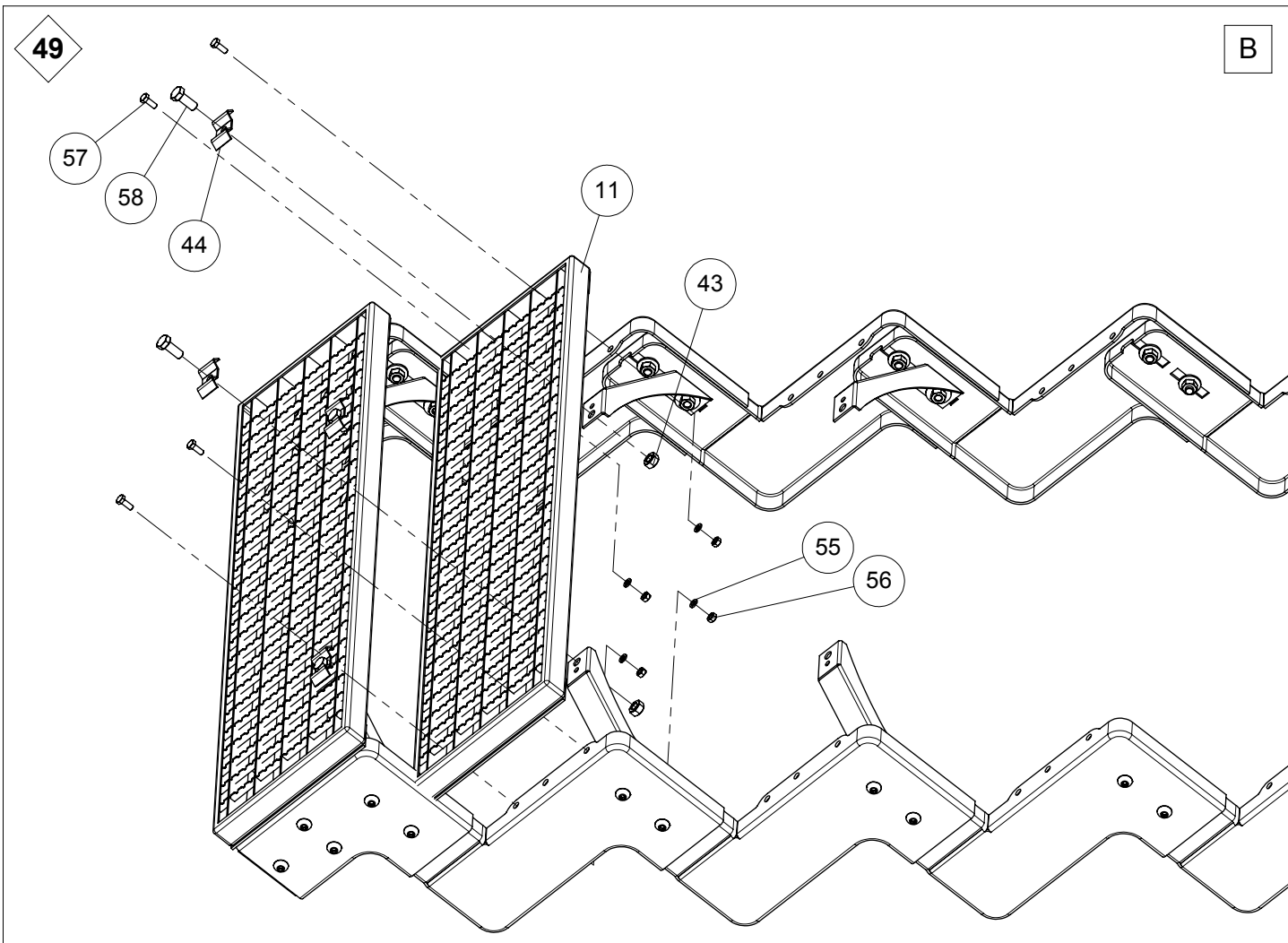
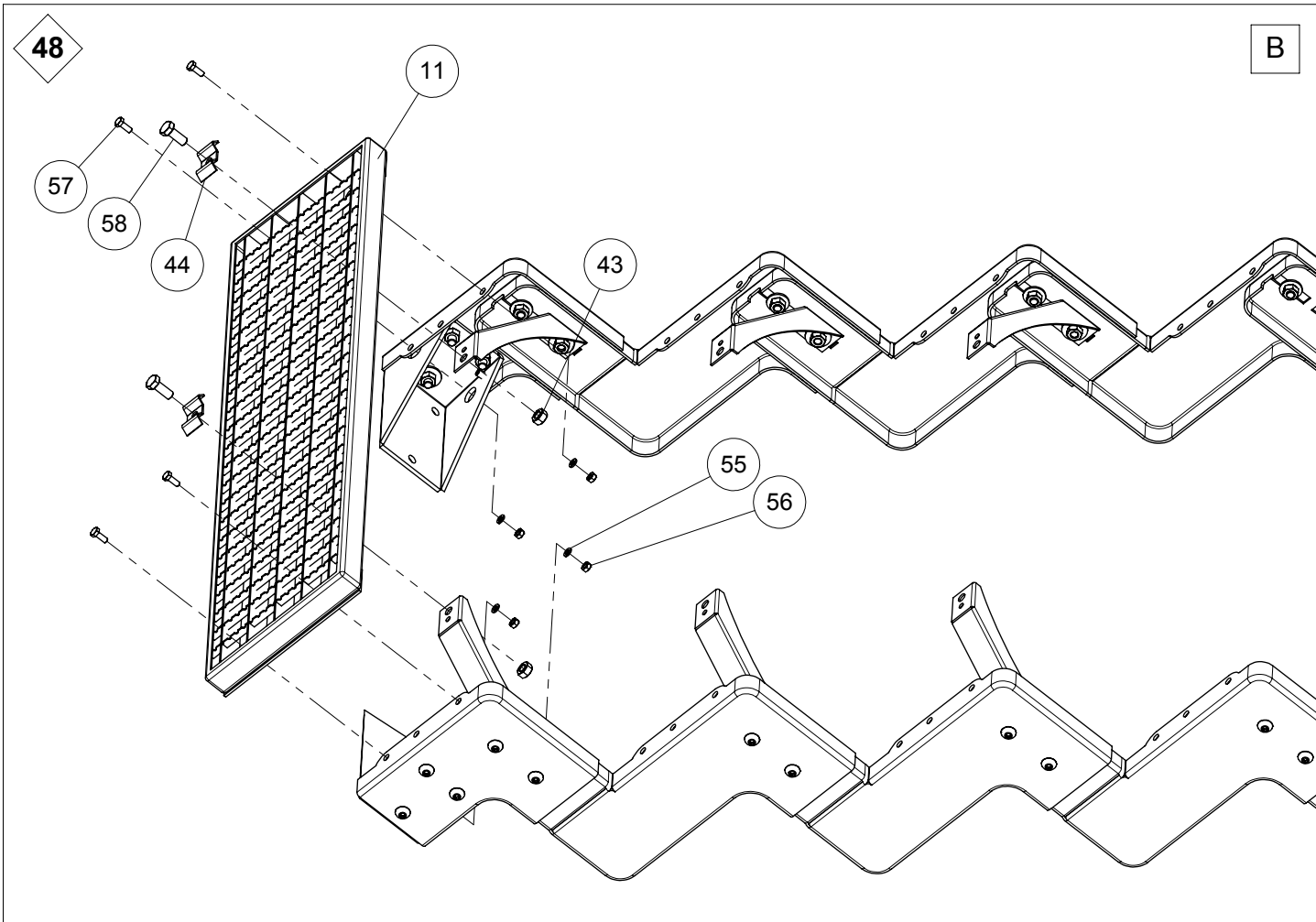
B



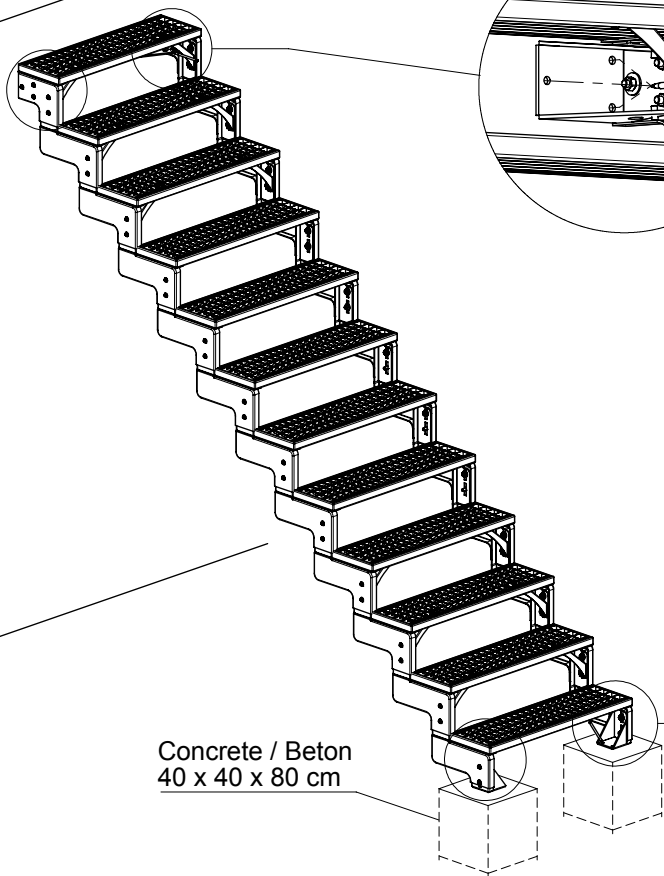
47

B



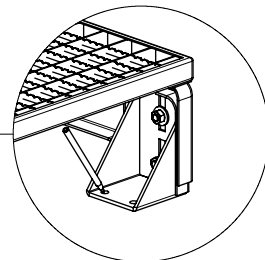
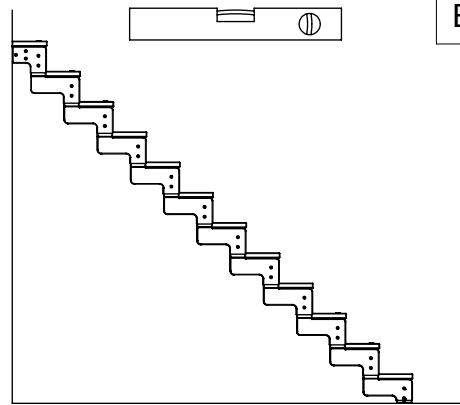


50



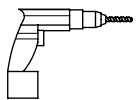
Concrete / Beton
40 x 40 x 80 cm

B



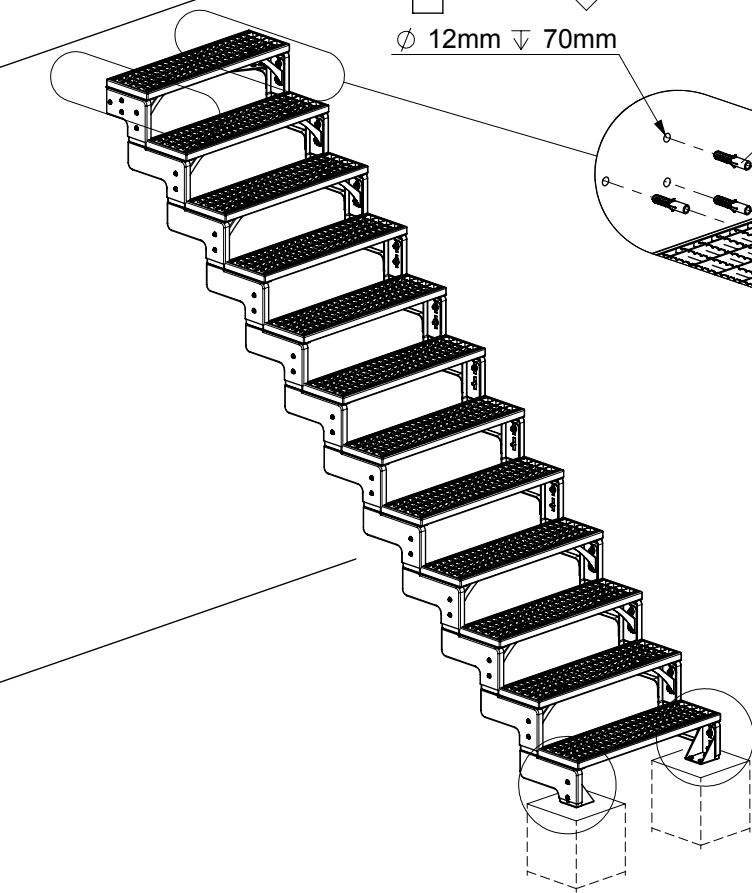
51

52



51

Ø 12mm ▽ 70mm



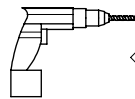
44

45

52

52

45

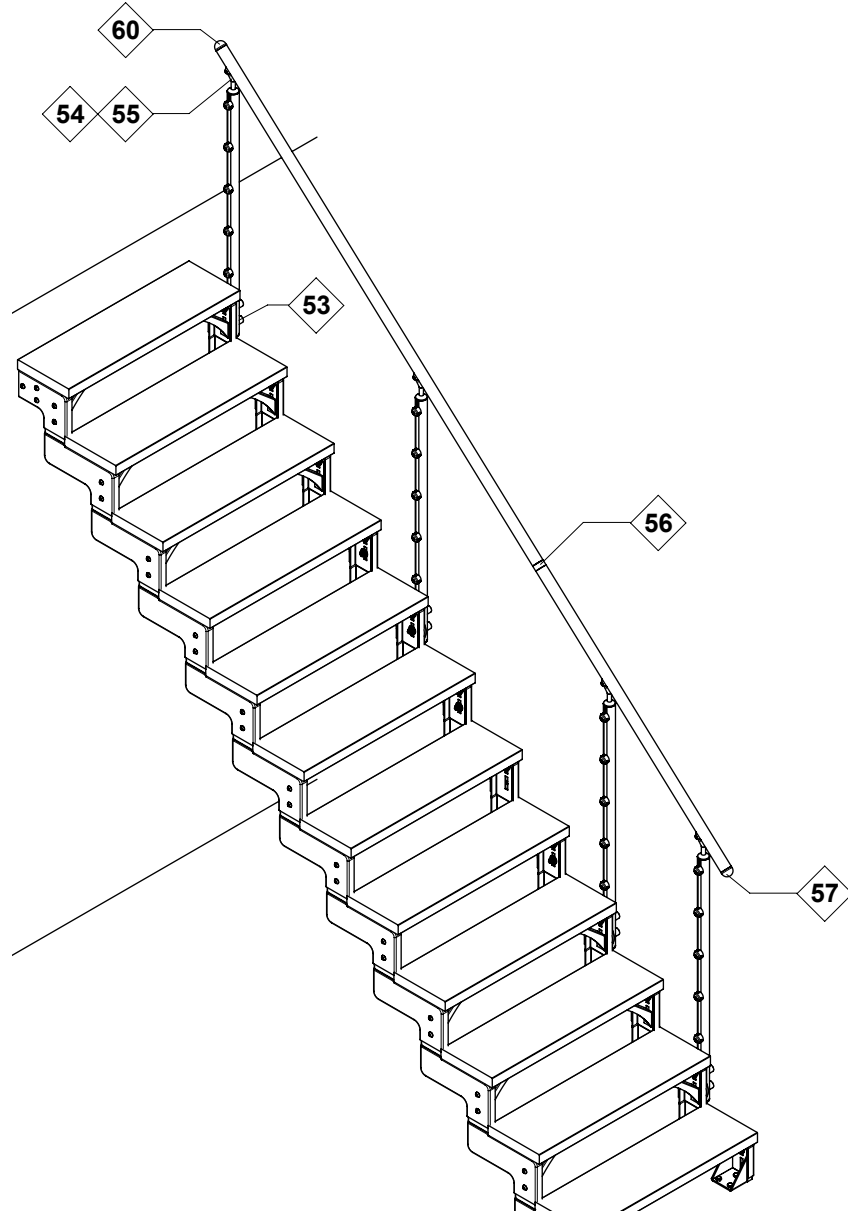
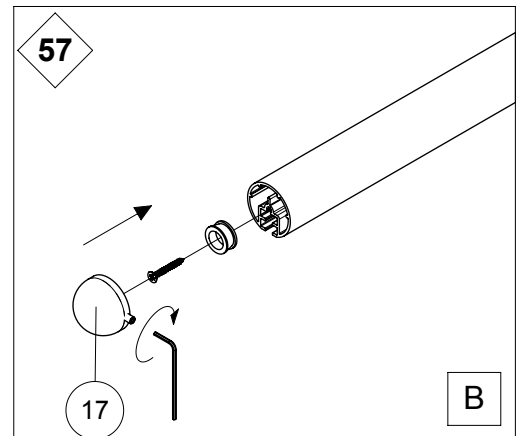
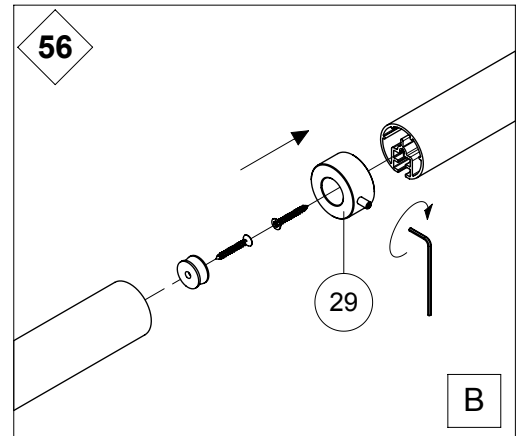
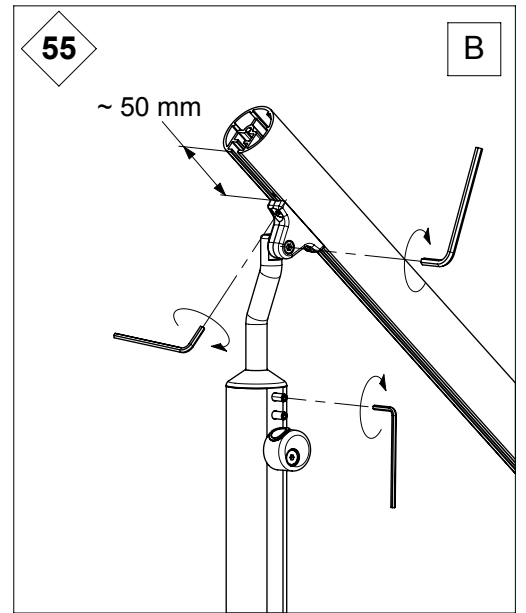
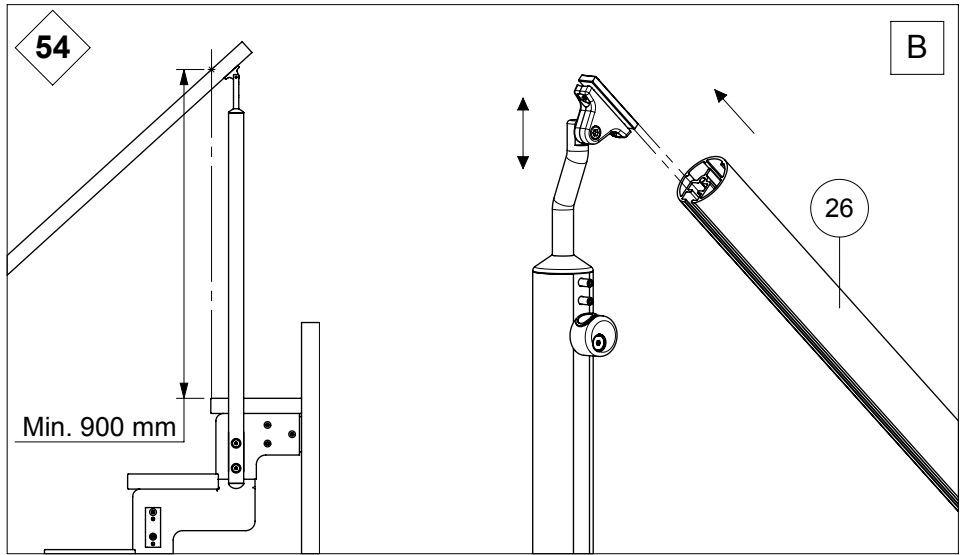
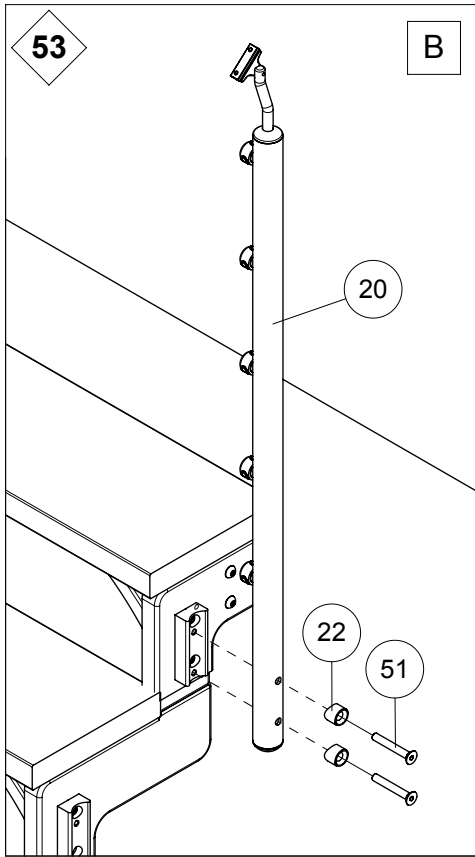


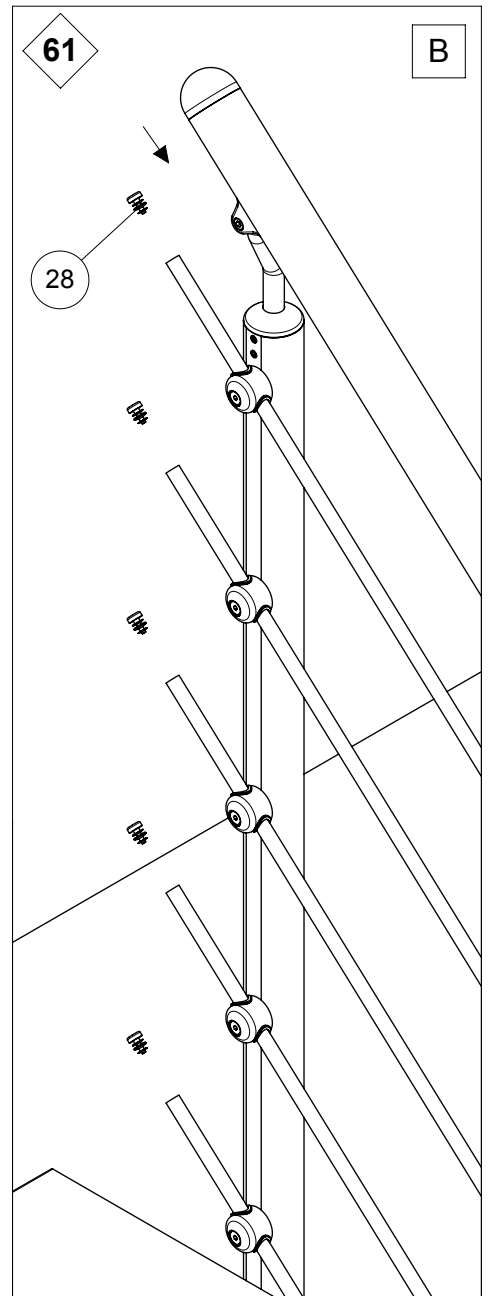
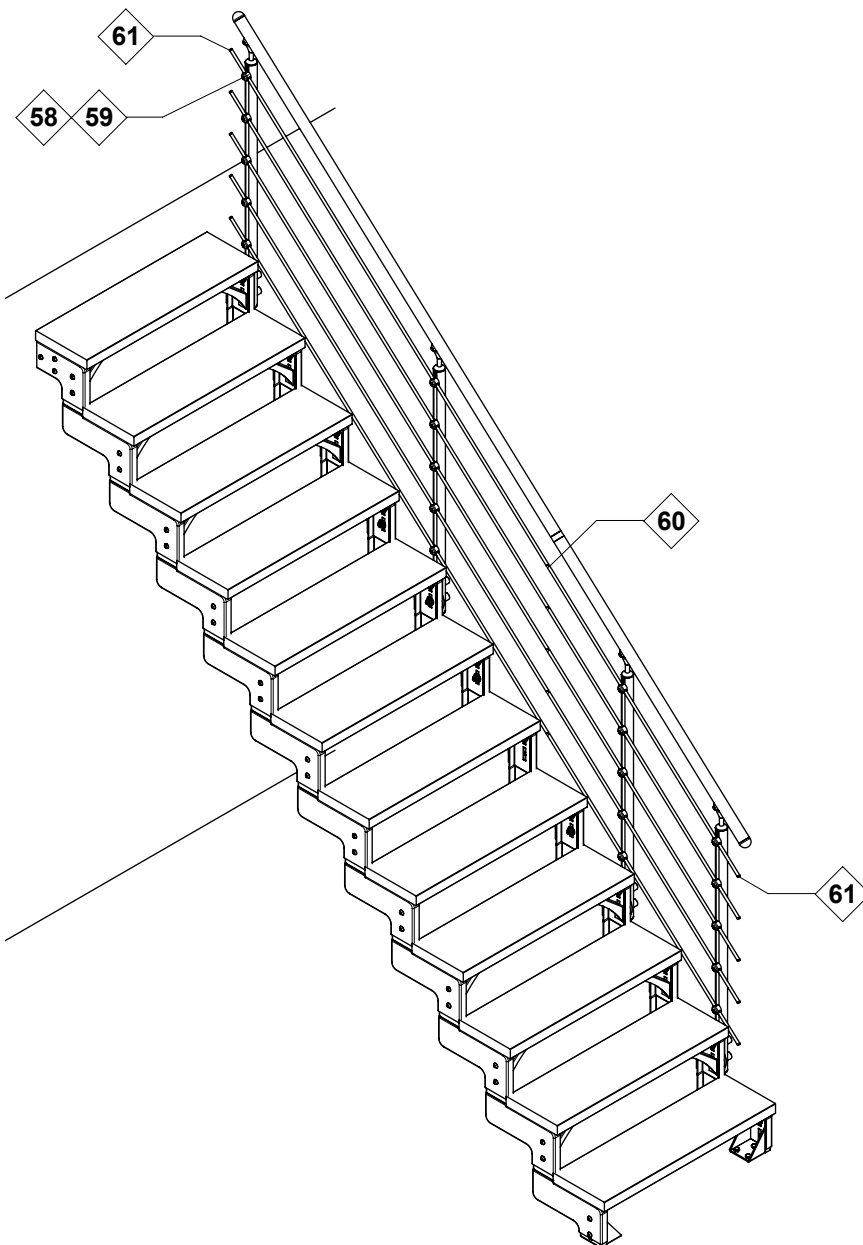
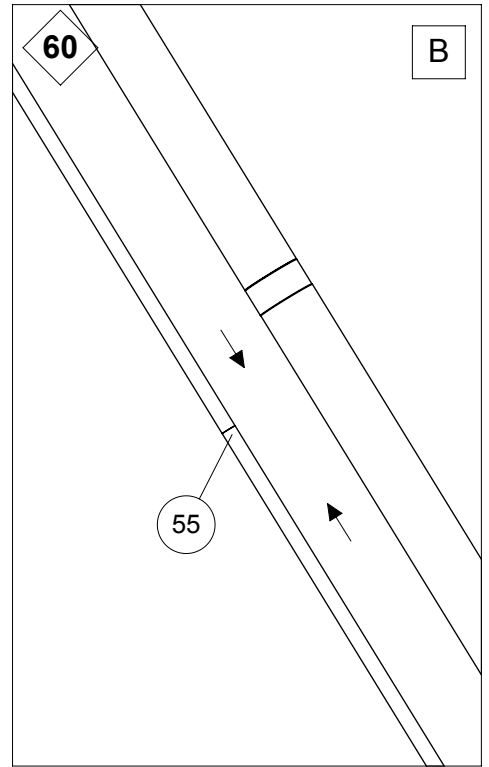
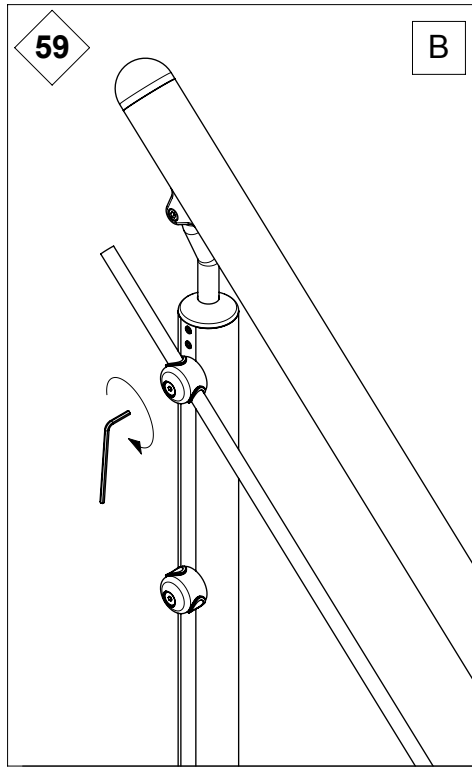
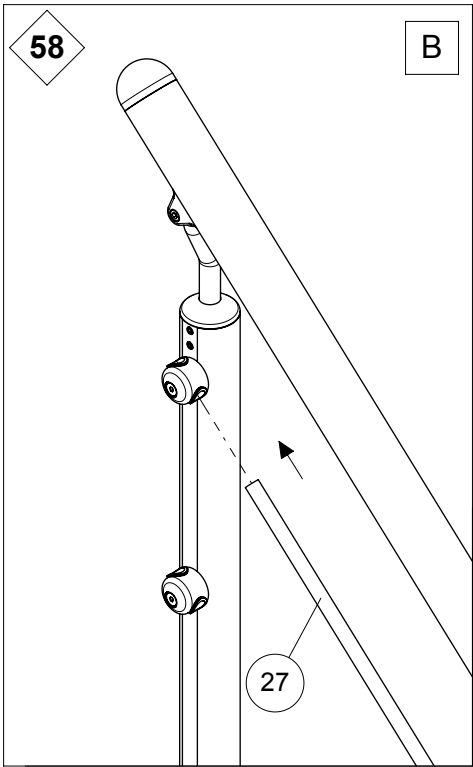
51


Ø 12mm ▽ 70mm

44

B






We recommend
using a support
column from 8 treads
and if $W = 100$ cm

Ab 8 Stufen und $W =$
 100 cm empfehlen
wir eine Abstützung
der Treppe

