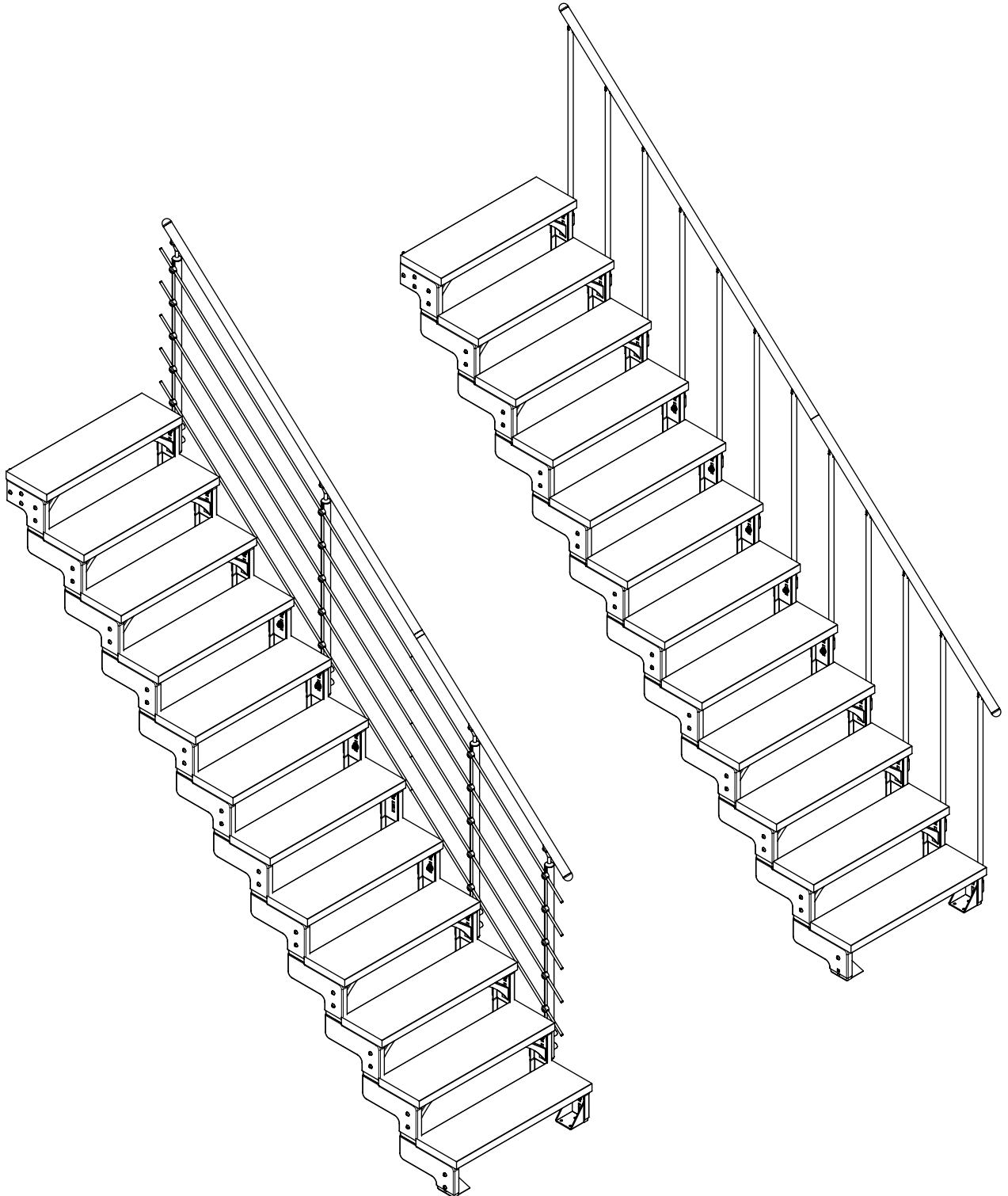


GARDENTOP

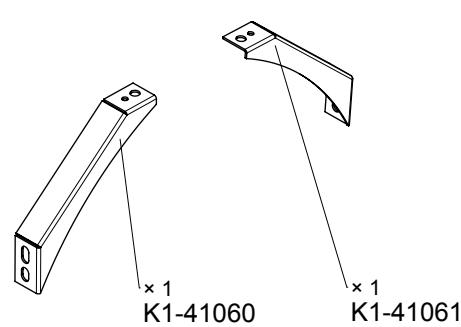
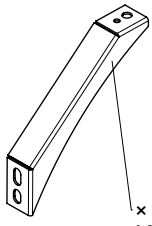


Trimax



Montageanleitung
Installation instruction




| | | | | | |
|--|--|--|--|---|--|
| 68015 | | Starter-Set Start kit | | | |
| <p>1 2</p> <p>x 1 K1-41931 x 1 K1-41930</p> | | <p>7 8</p> <p>x 1 K1-41911 x 1 K1-41910</p> | | <p>5</p> <p>x 2 K2-41900</p> | |
| <p>6</p> <p>x 2 K1-41940</p> | | <p>40</p> <p>x 14 K3-02045 M10x25</p> | | <p>41</p> <p>x 2 K3-04110 Ø10</p> | |
| <p>42</p> <p>x 8 K3-04198 Ø10</p> | | <p>43</p> <p>x 14 K3-03051 M10</p> | | <p>44</p> <p>x 12 K3-08001 Ø12 x 60</p> | |
| <p>45</p> <p>x 12 K3-06070 Ø10 x 60</p> | | <p>59</p> <p>x 12 K3-06269 Ø6 x 35</p> | | <p>63</p> <p>x 4 K3-05022 M8 x 20</p> | |
| <p>64</p> <p>x 12 K3-04010 Ø10,5</p> | | | | | |

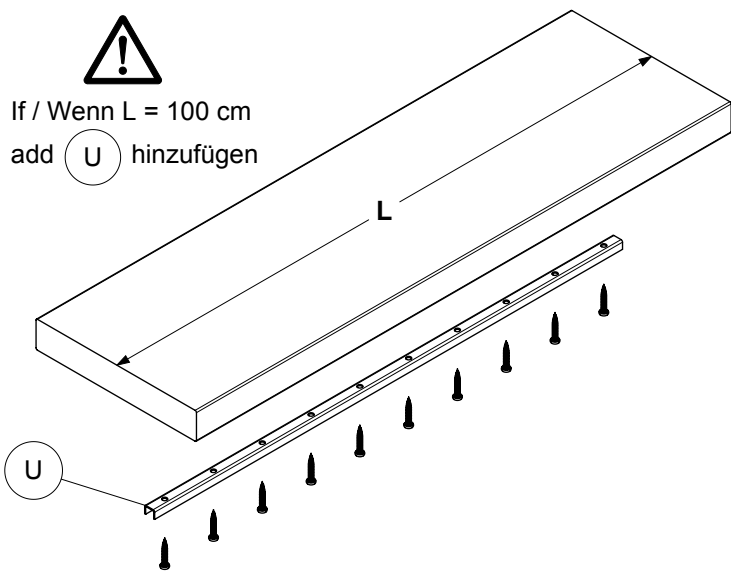
| | | | | | |
|--|--|--|--|---|--|
| 68016 | | Ergänzungs-Set 1 step kit | | | |
| <p>3 4</p> <p>x 1 K1-41921 x 1 K1-41920</p> | | <p>40</p> <p>x 4 K3-02045 M10 x 25</p> | | <p>42</p> <p>x 4 K3-04198 Ø10</p> | |
| | | <p>43</p> <p>x 4 K3-03051 M10</p> | | <p>59</p> <p>x 6 K3-06269 Ø6 x 35</p> | |

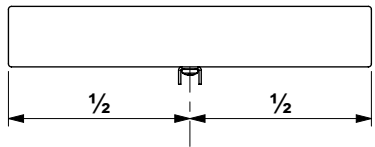
| | | |
|--|---|---|
| <p>68020</p> | <p>Stufen-Winkel <i>Step support 1 step</i></p> | <div style="border: 1px solid black; padding: 10px; text-align: center;">  <p>If more than 6 steps: Add <div style="display: flex; justify-content: center; gap: 10px;"> 9 + 10 </div> <p>Wenn mehr als 6 Stufen: <div style="display: flex; justify-content: center; gap: 10px;"> 9 + 10 </div> <p>hinzufügen</p> </p></p></div> |
| <div style="display: flex; justify-content: space-around; align-items: center;"> <div style="text-align: center;"> <p>9</p>  <p>x 1 K1-41060</p> </div> <div style="text-align: center;"> <p>10</p>  <p>x 1 K1-41061</p> </div> </div> | <div style="border: 1px solid black; padding: 5px;"> <p>59</p>  <p>x 1 K3-06269 Ø6 x 35</p> </div> | |
| <p>Max. 6 Satz sets</p> | | |

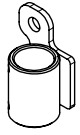
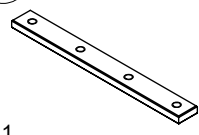
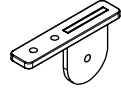

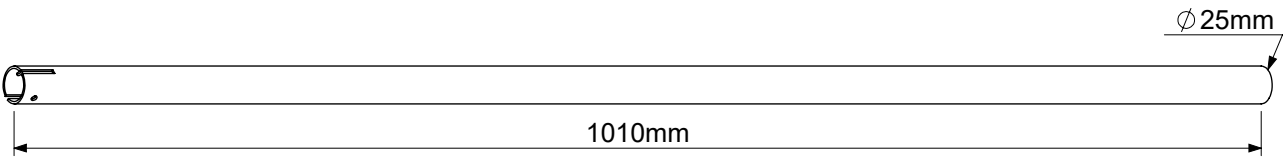
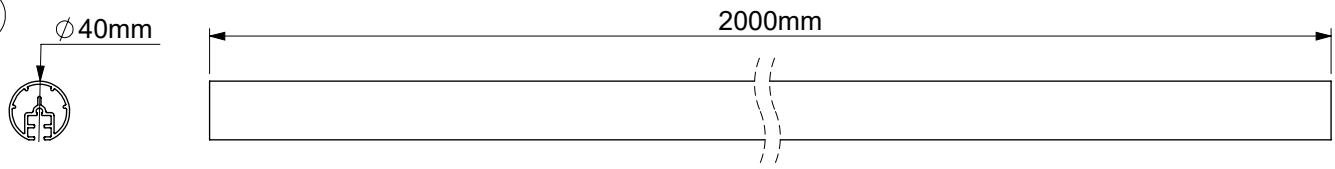

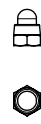


| | | |
|--|------------------------------|--|
| <p>Trimax-Stufe <i>Trimax step</i></p> | <p>80 cm / 100 cm</p> | <div style="border: 1px solid black; padding: 10px; text-align: center;"> <p>59</p>  <p>x 6 K3-06269 Ø6x35</p> </div> |
| <p>11</p>  | | |


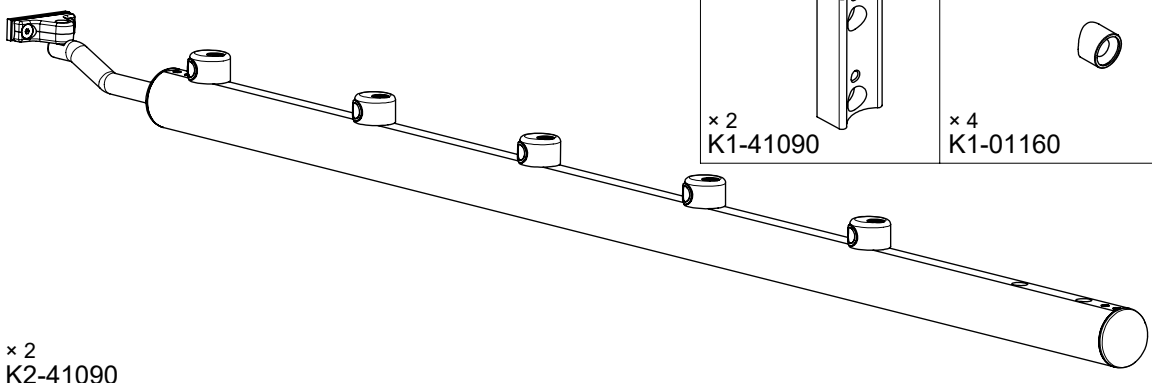


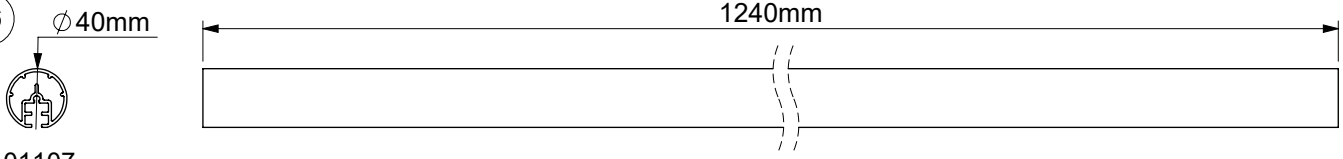
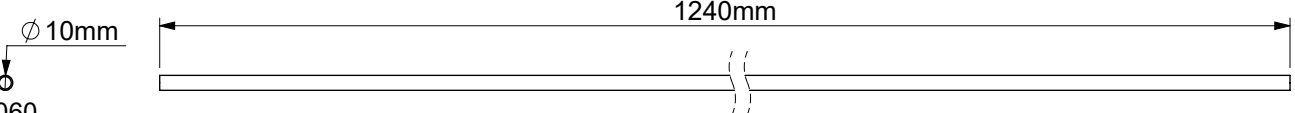

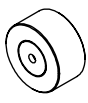
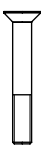


If / Wenn L = 100 cm
add U hinzufügen



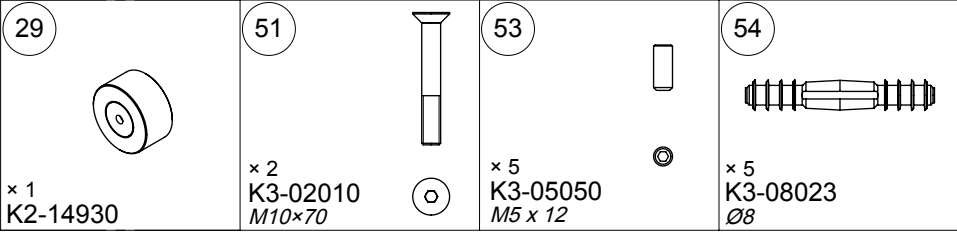
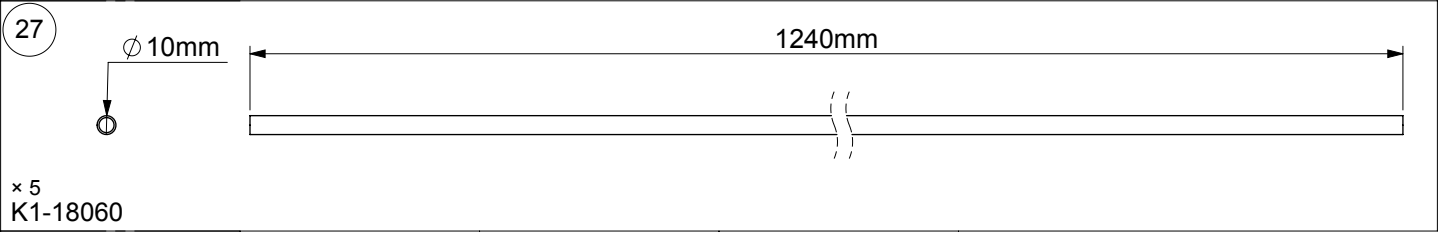
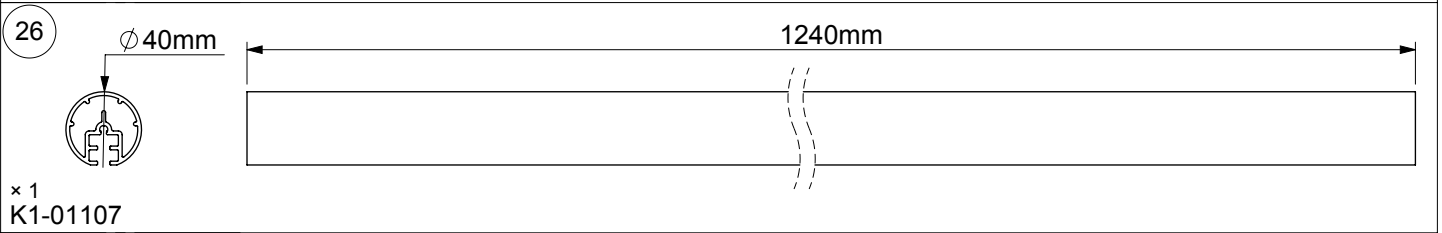
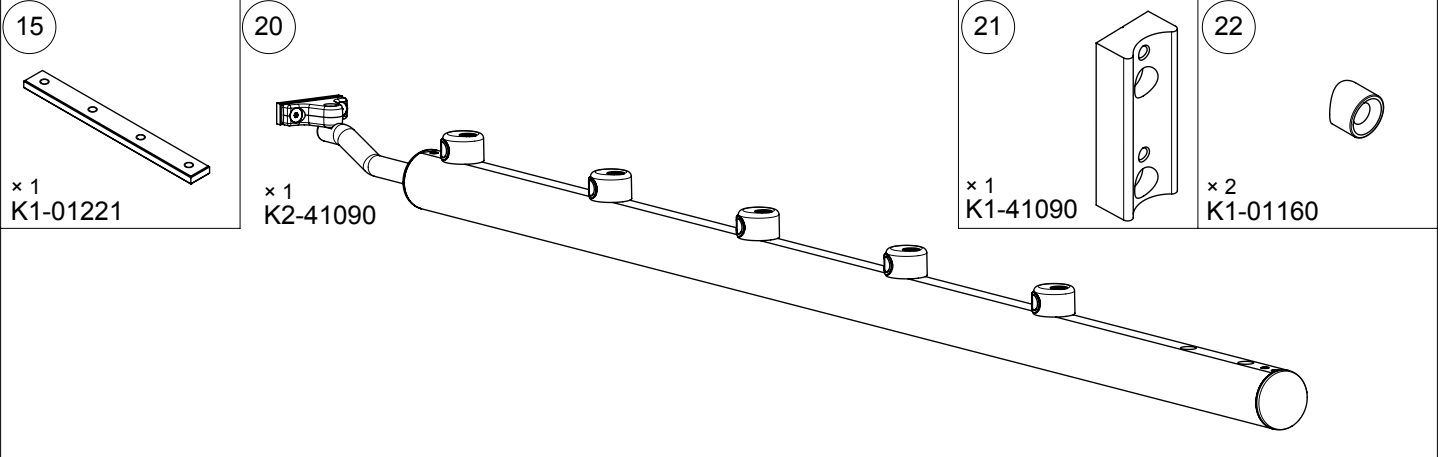


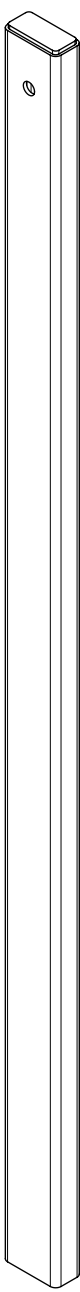
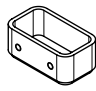
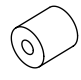


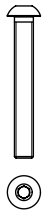



| | | | |
|---|--|--|--|
| 68031 | | <i>Steiggeländer für 6 Stufen</i> <i>Standard banister for 6 steps</i> | |
| <p>14</p>  <p>× 6 K2-41052</p> | <p>15</p>  <p>× 1 K1-01221</p> | <p>16</p>  <p>× 6 K1-02130</p> | <p>17</p>  <p>× 2 K2-04040</p> |
| <p>18</p>  <p>× 6 K1-41056</p> | | | |
| <p>19</p>  <p>× 1 K1-01100</p> | | | |
| <p>46</p>  <p>× 6 K3-01034 M4 x 30</p> | <p>47</p>  <p>× 6 K3-03004 M4</p> | <p>48</p>  <p>× 12 K3-05006 M6 x 8</p> | <p>53</p>  <p>× 4 K3-05050 M5 x 12</p> |

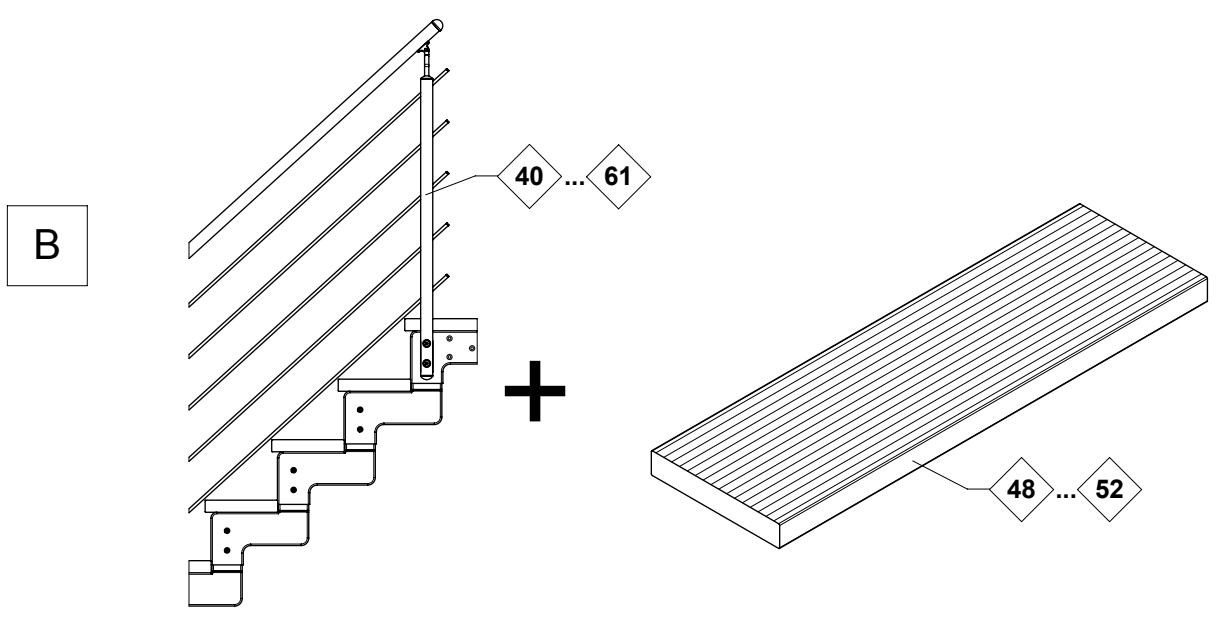
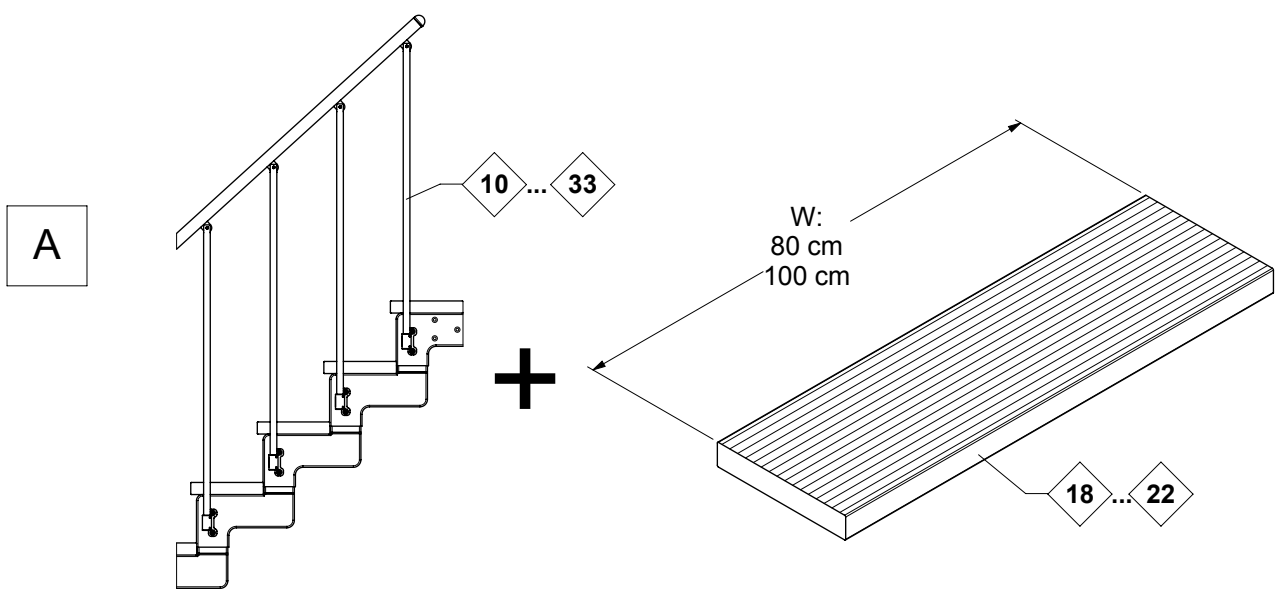
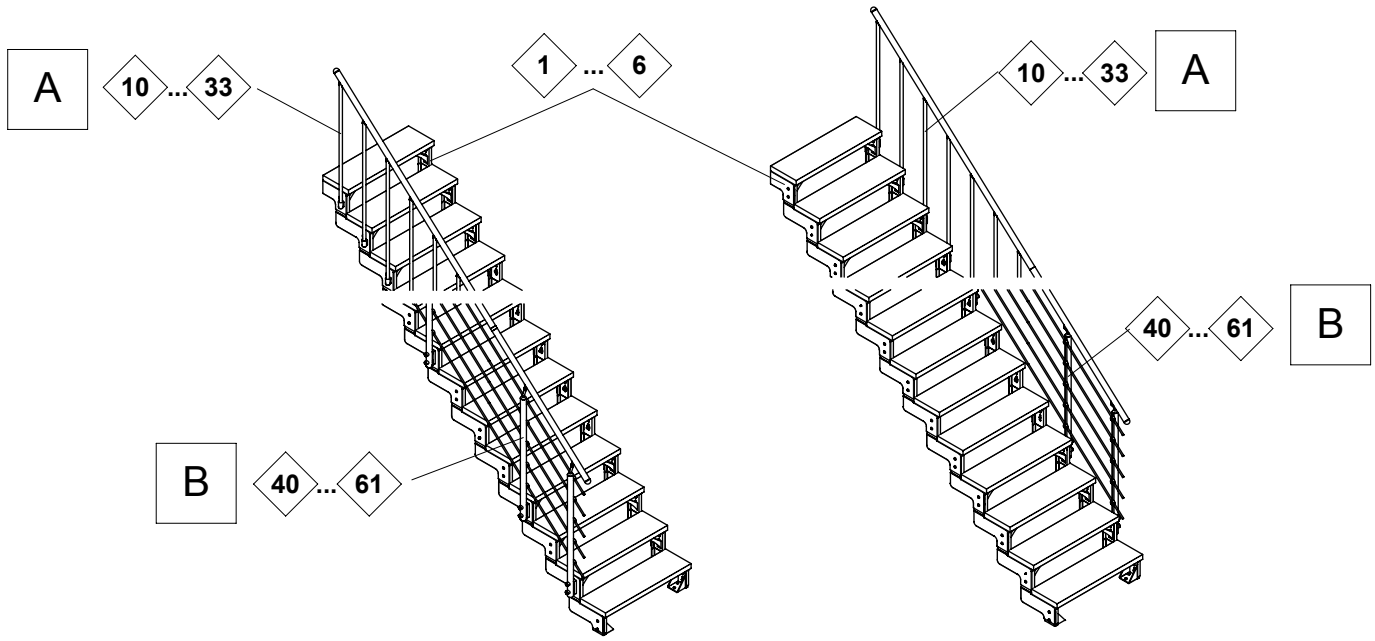
| | | | | |
|--|--|--|---|---|
| 68040 | | <i>Steiggeländer PROVA Starter-Set für 4 Stufen</i> <i>PROVA banister start for 4 steps</i> | | |
| <p>17</p>  <p>× 2 K2-04040</p> | <p>20</p>  <p>× 2 K2-41090</p> | | <p>21</p>  <p>× 2 K1-41090</p> | <p>22</p>  <p>× 4 K1-01160</p> |
| <p>26</p>  <p>× 1 K1-01107</p> | | | | |
| <p>27</p>  <p>× 5 K1-18060</p> | | | | |
| <p>28</p>  <p>× 10 K1-01010</p> | <p>29</p>  <p>× 1 K2-14930</p> | <p>51</p>  <p>× 4 K3-02010 M10 x 70</p> | | |

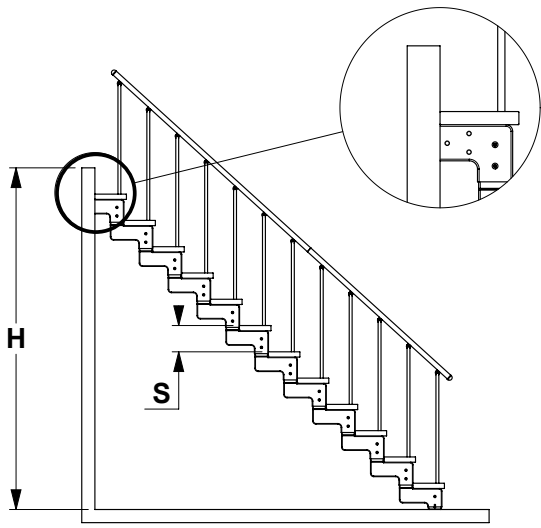
68041

Steiggeländer PROVA Ergänzungs-Set für 4 Stufen
PROVA banister extension for 4 steps

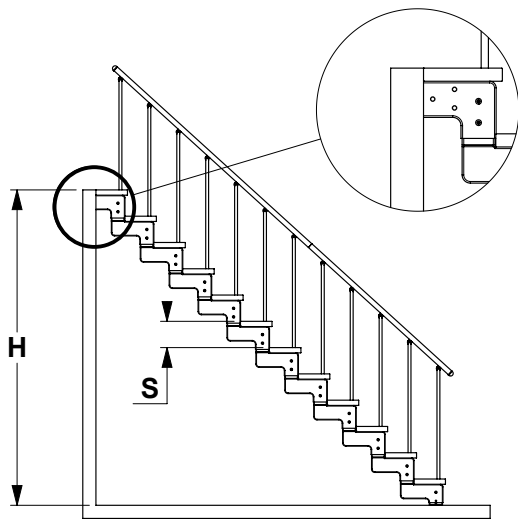


| 68098 | | <i>Unterstützung Support</i> | | | OPTION | |
|--|--|---|---|---|--|--|
|  <p>× 1 K1-41950</p> | <p>26</p>  <p>× 1 K1-41955</p> | <p>27</p>  <p>× 1 K1-41956</p> | <p>41</p>  <p>× 1 K3-04110 Ø10</p> | <p>43</p>  <p>× 1 K3-03051 M10</p> | <p>52</p>  <p>× 1 K3-02375 M10 x 75</p> | |
| | <p>53</p>  <p>× 2 K3-05007 M5 x 5</p> | <p>54</p>  <p>× 1 K3-08002 Ø8 x 40</p> | <p>55</p>  <p>× 1 K3-06032 Ø6 x 60</p> | | | |

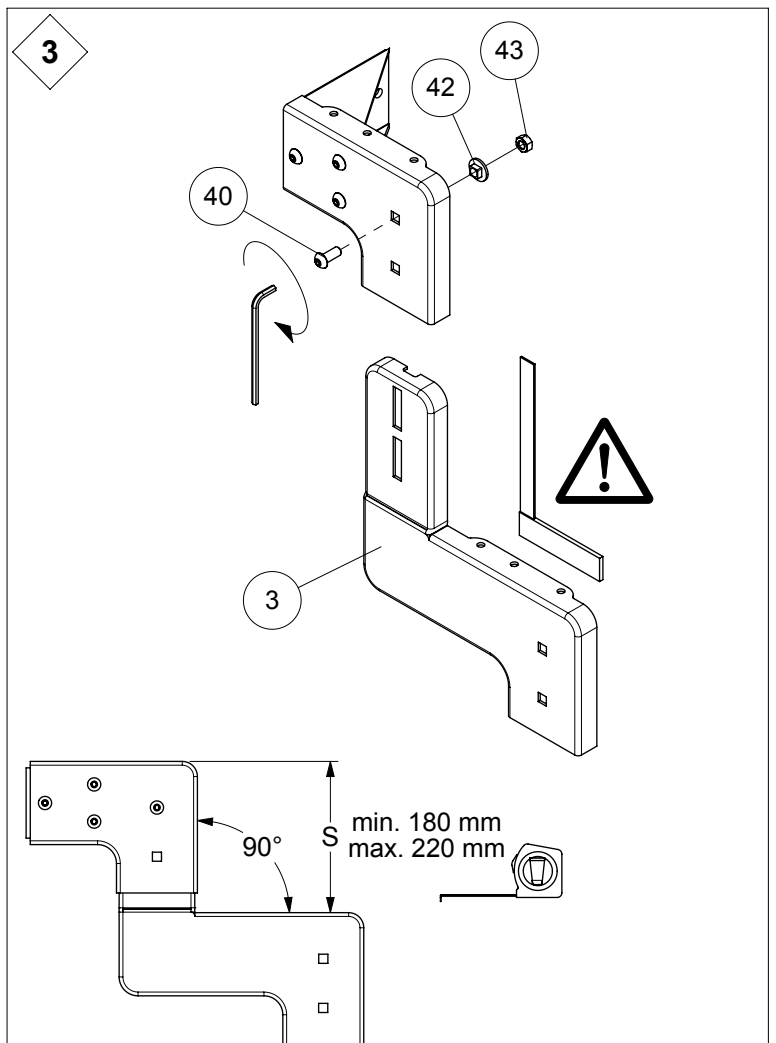
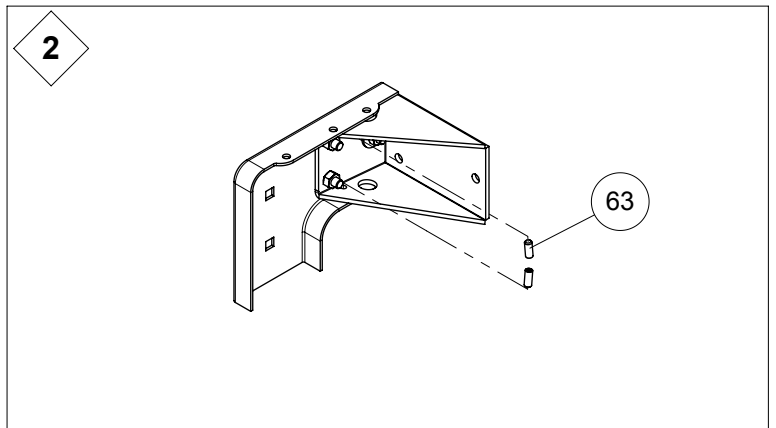
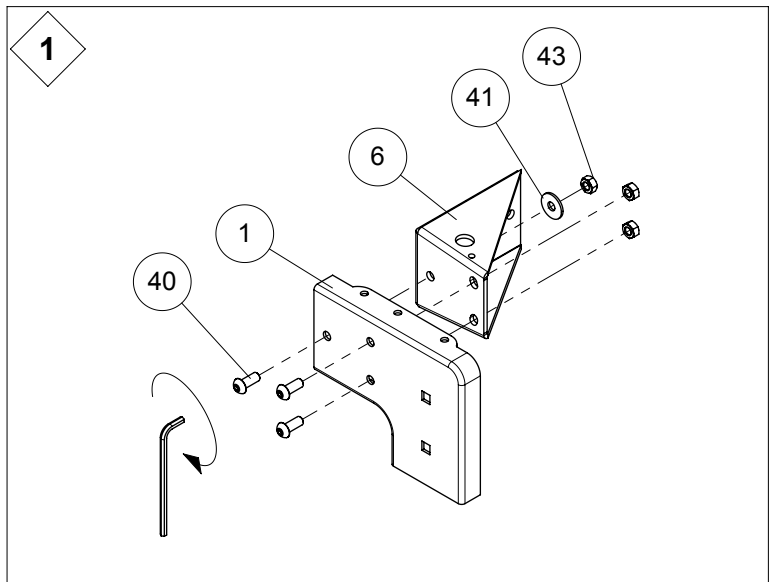


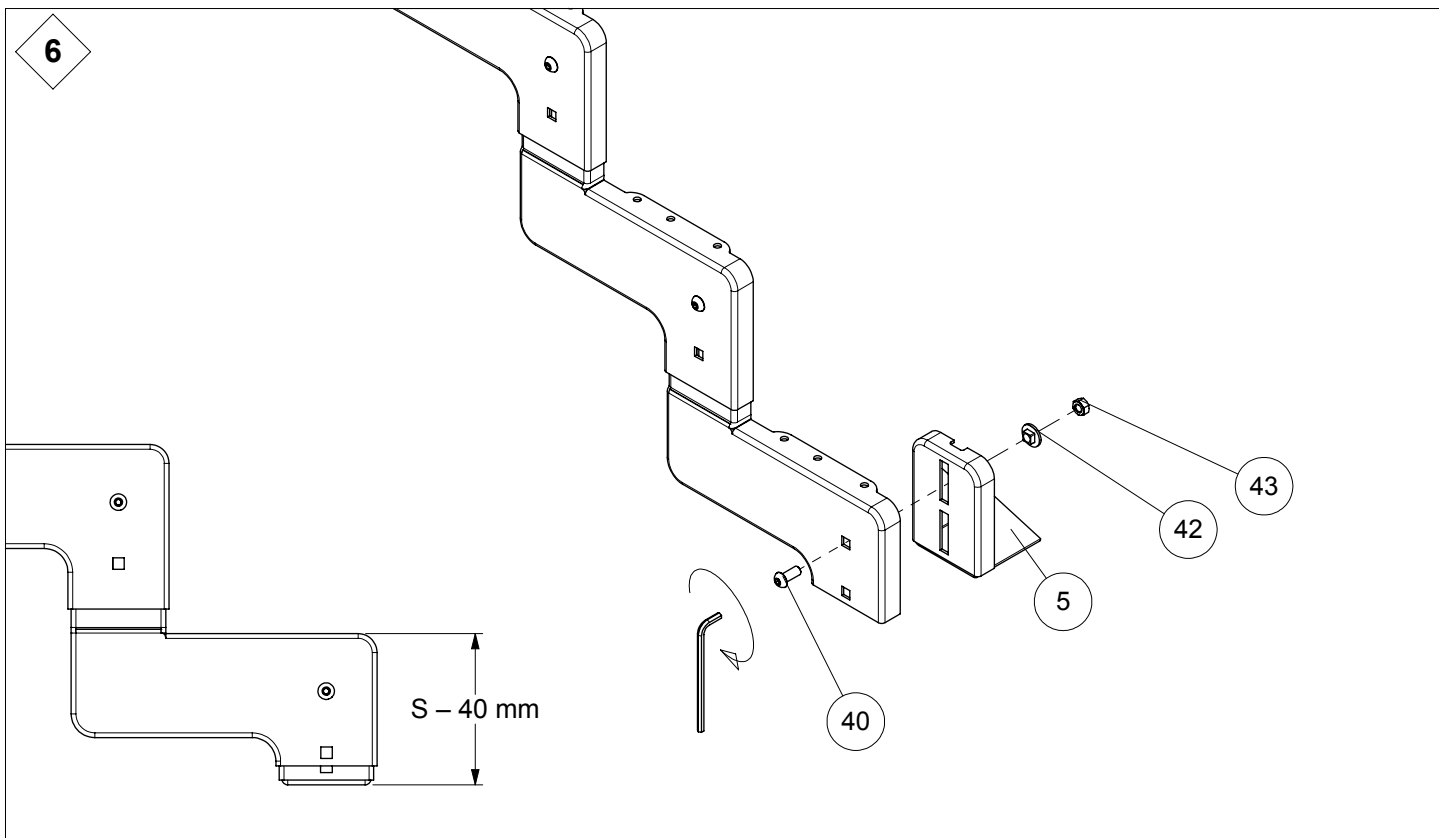
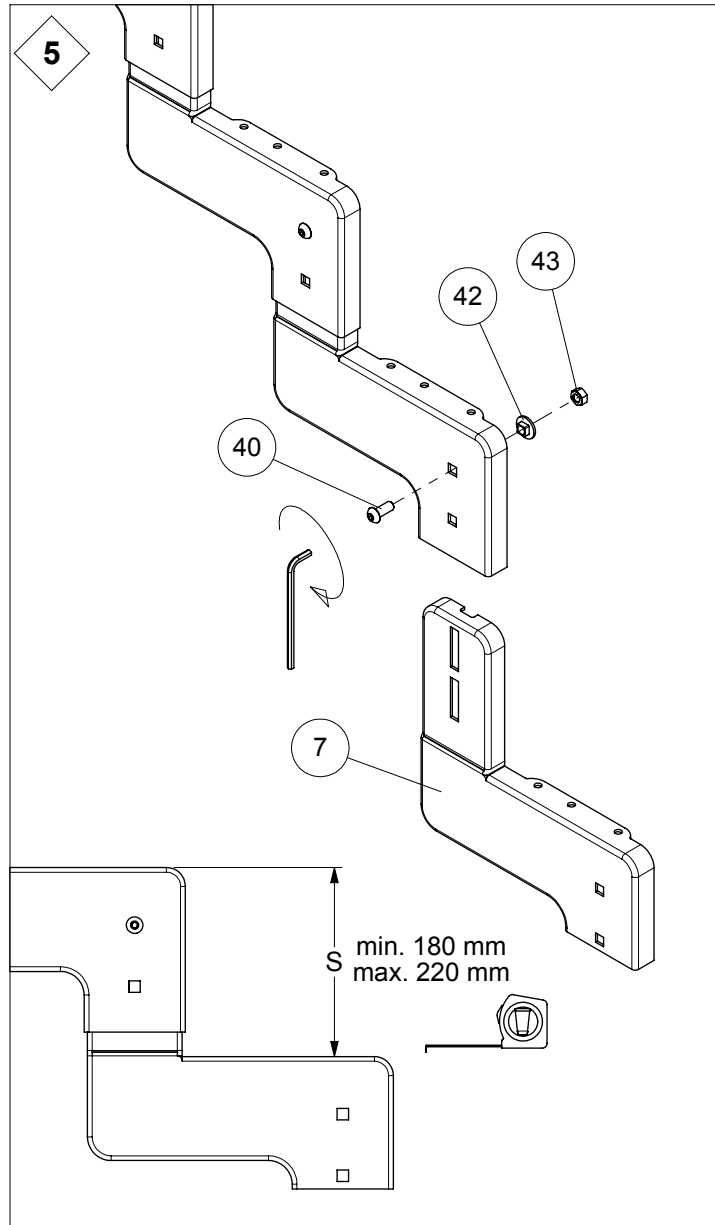
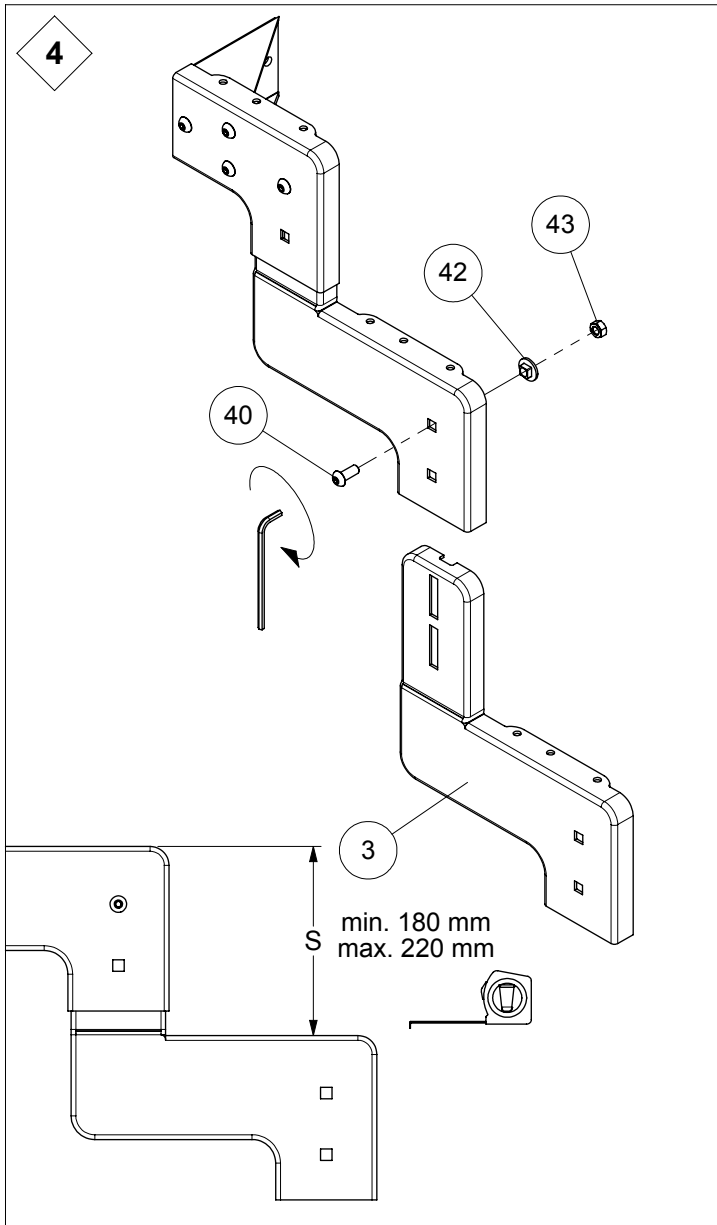


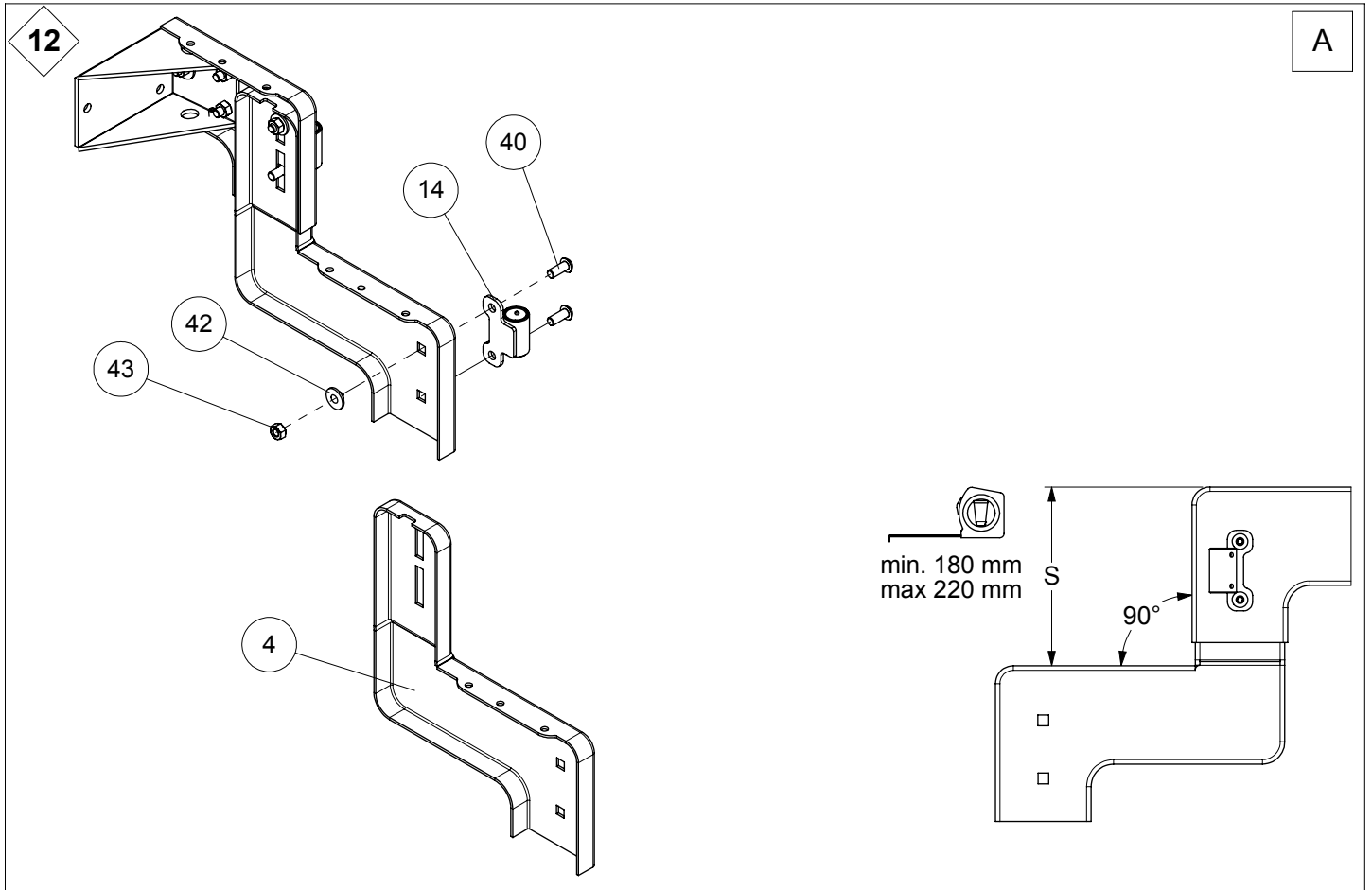
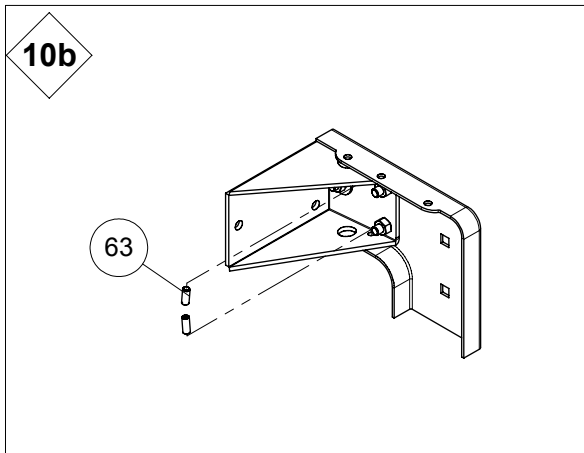
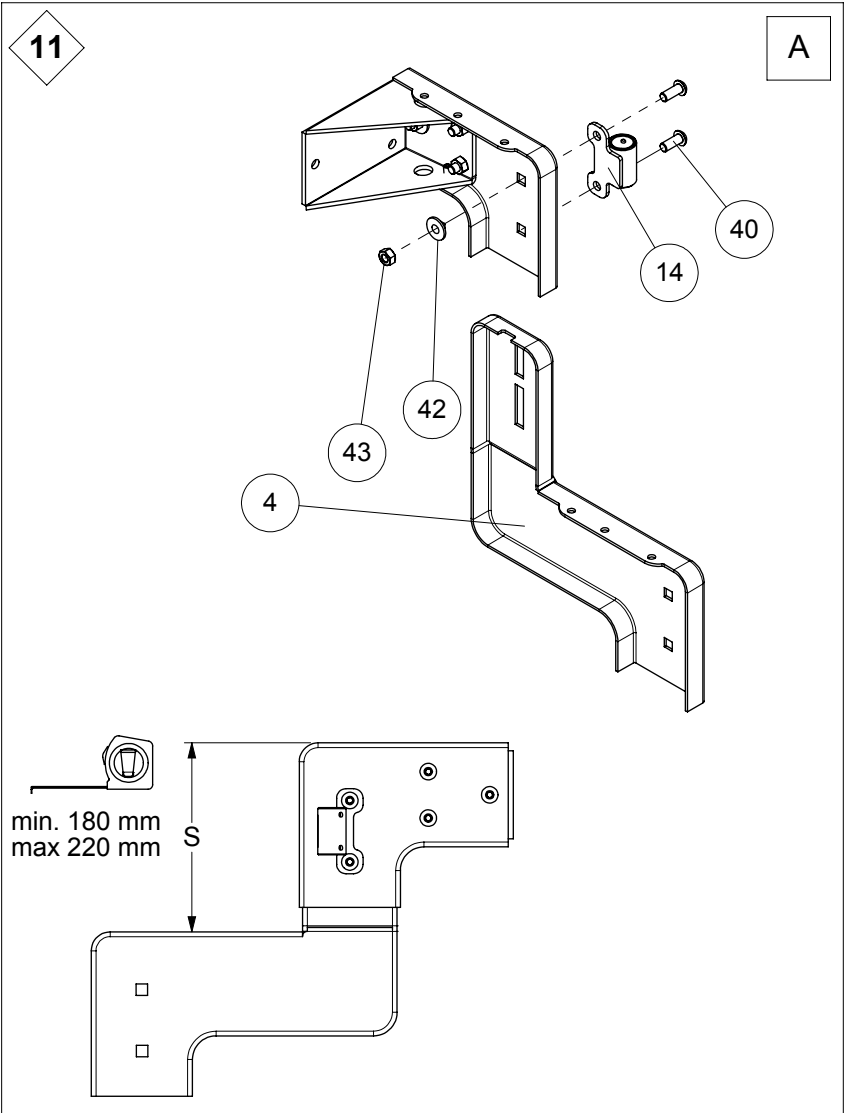
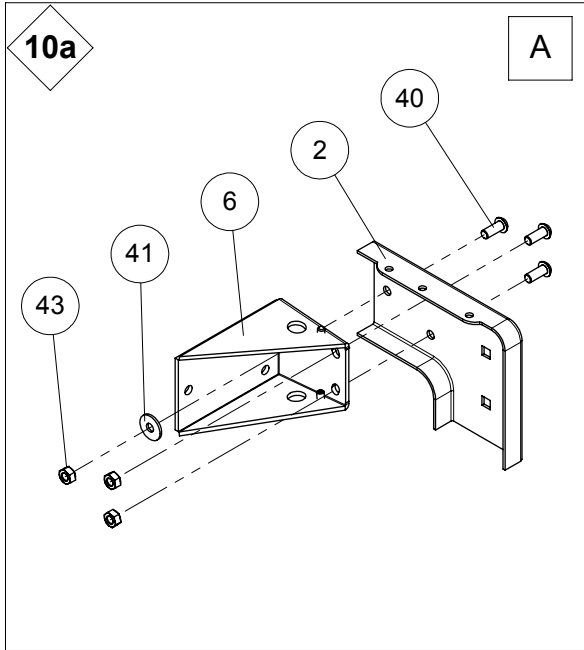
| H | S | | | | |
|----|------|------|------|------|------|
| | 180 | 190 | 200 | 210 | 220 |
| | mm | mm | mm | mm | mm |
| 2 | 540 | 570 | 600 | 630 | 660 |
| 3 | 720 | 760 | 800 | 840 | 880 |
| 4 | 900 | 950 | 1000 | 1050 | 1100 |
| 5 | 1080 | 1140 | 1200 | 1260 | 1320 |
| 6 | 1260 | 1330 | 1400 | 1470 | 1540 |
| 7 | 1440 | 1520 | 1600 | 1680 | 1760 |
| 8 | 1620 | 1710 | 1800 | 1890 | 1980 |
| 9 | 1800 | 1900 | 2000 | 2100 | 2200 |
| 10 | 1980 | 2090 | 2200 | 2310 | 2420 |
| 11 | 2160 | 2280 | 2400 | 2520 | 2640 |
| 12 | 2340 | 2470 | 2600 | 2730 | 2860 |

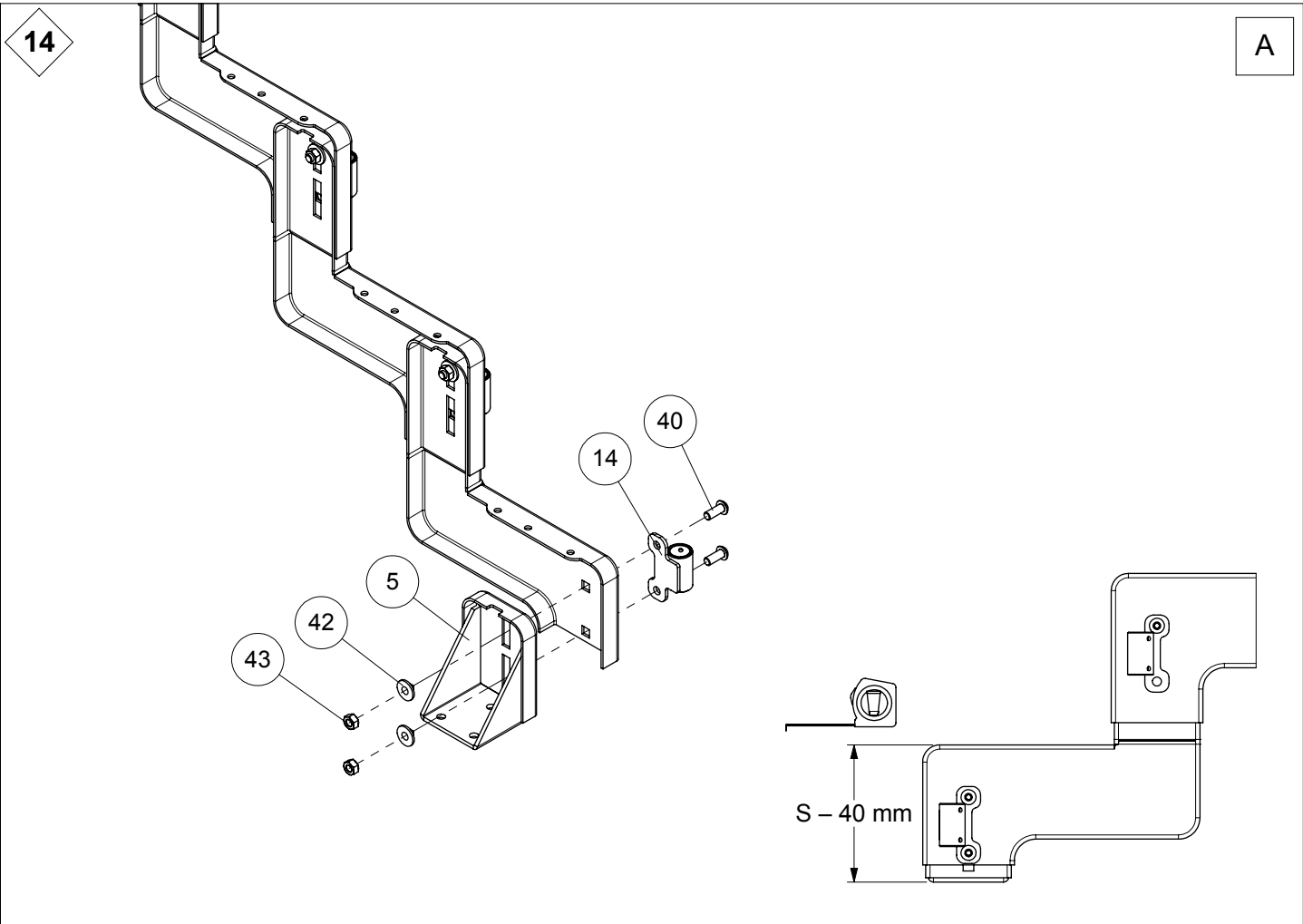
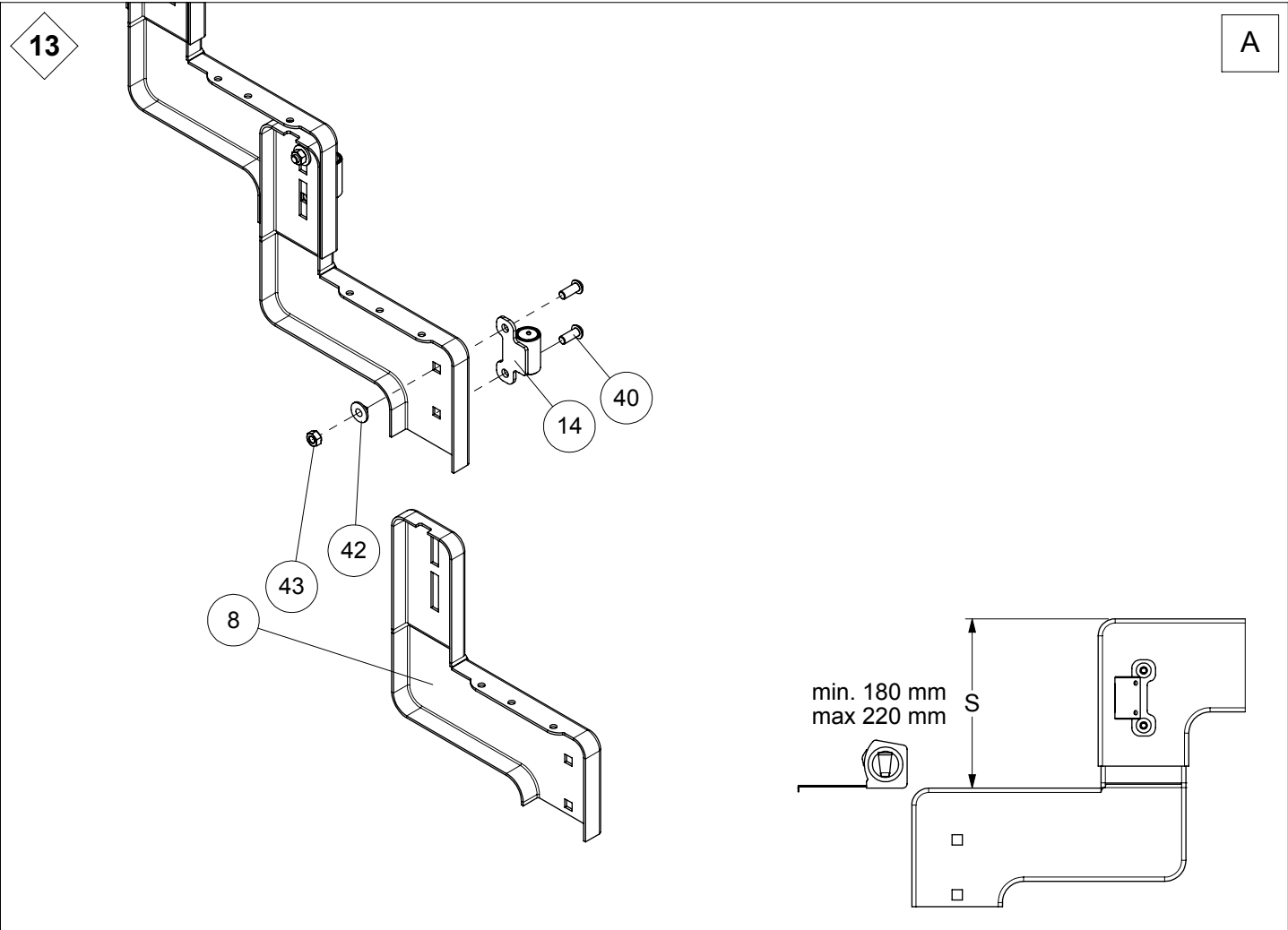


| H | S | | | | |
|----|------|------|------|------|------|
| | 180 | 190 | 200 | 210 | 220 |
| | mm | mm | mm | mm | mm |
| 2 | 360 | 380 | 400 | 420 | 440 |
| 3 | 540 | 570 | 600 | 630 | 660 |
| 4 | 720 | 760 | 800 | 840 | 880 |
| 5 | 900 | 950 | 1000 | 1050 | 1100 |
| 6 | 1080 | 1140 | 1200 | 1260 | 1320 |
| 7 | 1260 | 1330 | 1400 | 1470 | 1540 |
| 8 | 1440 | 1520 | 1600 | 1680 | 1760 |
| 9 | 1620 | 1710 | 1800 | 1890 | 1980 |
| 10 | 1800 | 1900 | 2000 | 2100 | 2200 |
| 11 | 1980 | 2090 | 2200 | 2310 | 2420 |
| 12 | 2160 | 2280 | 2400 | 2520 | 2640 |



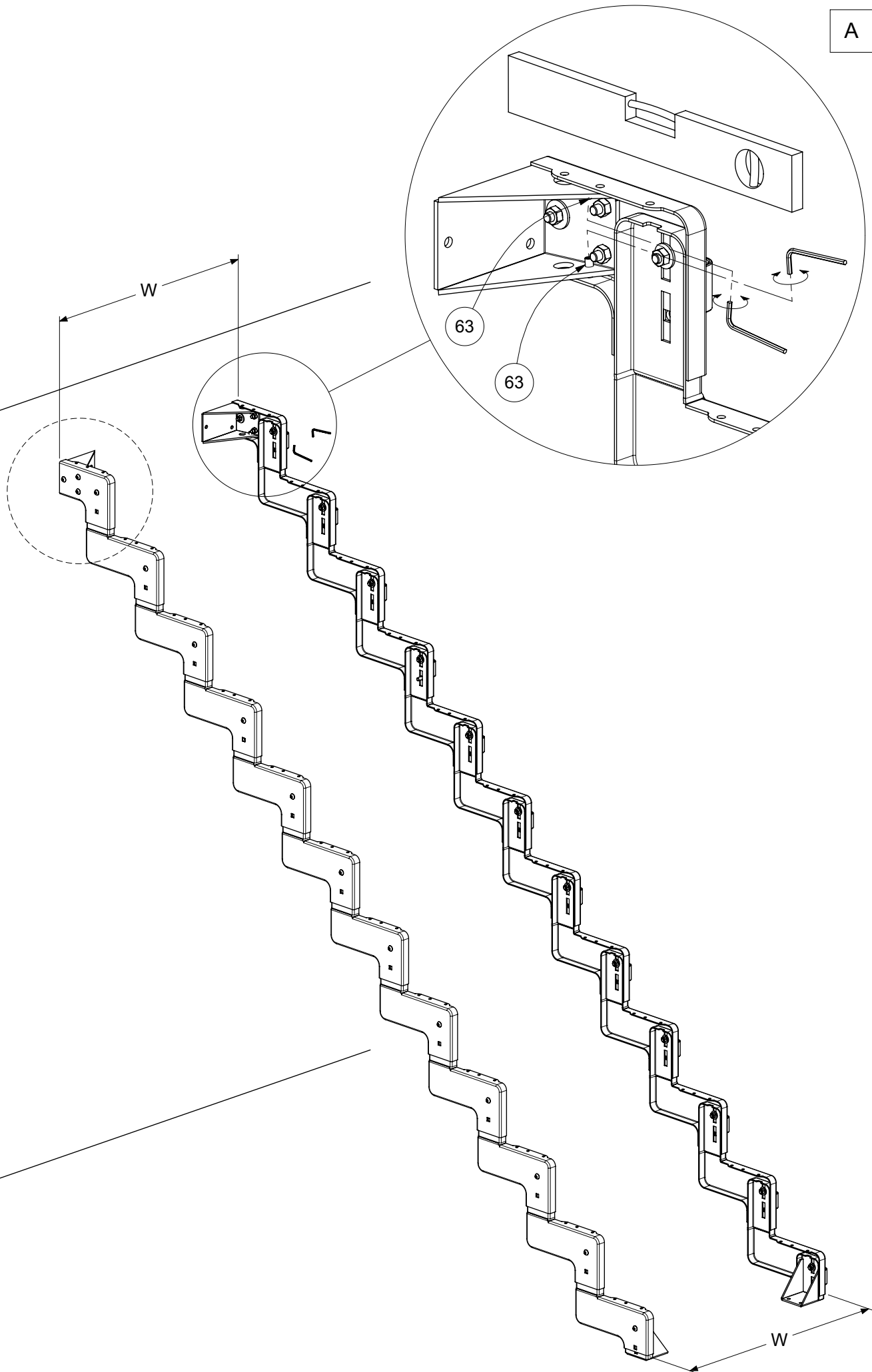






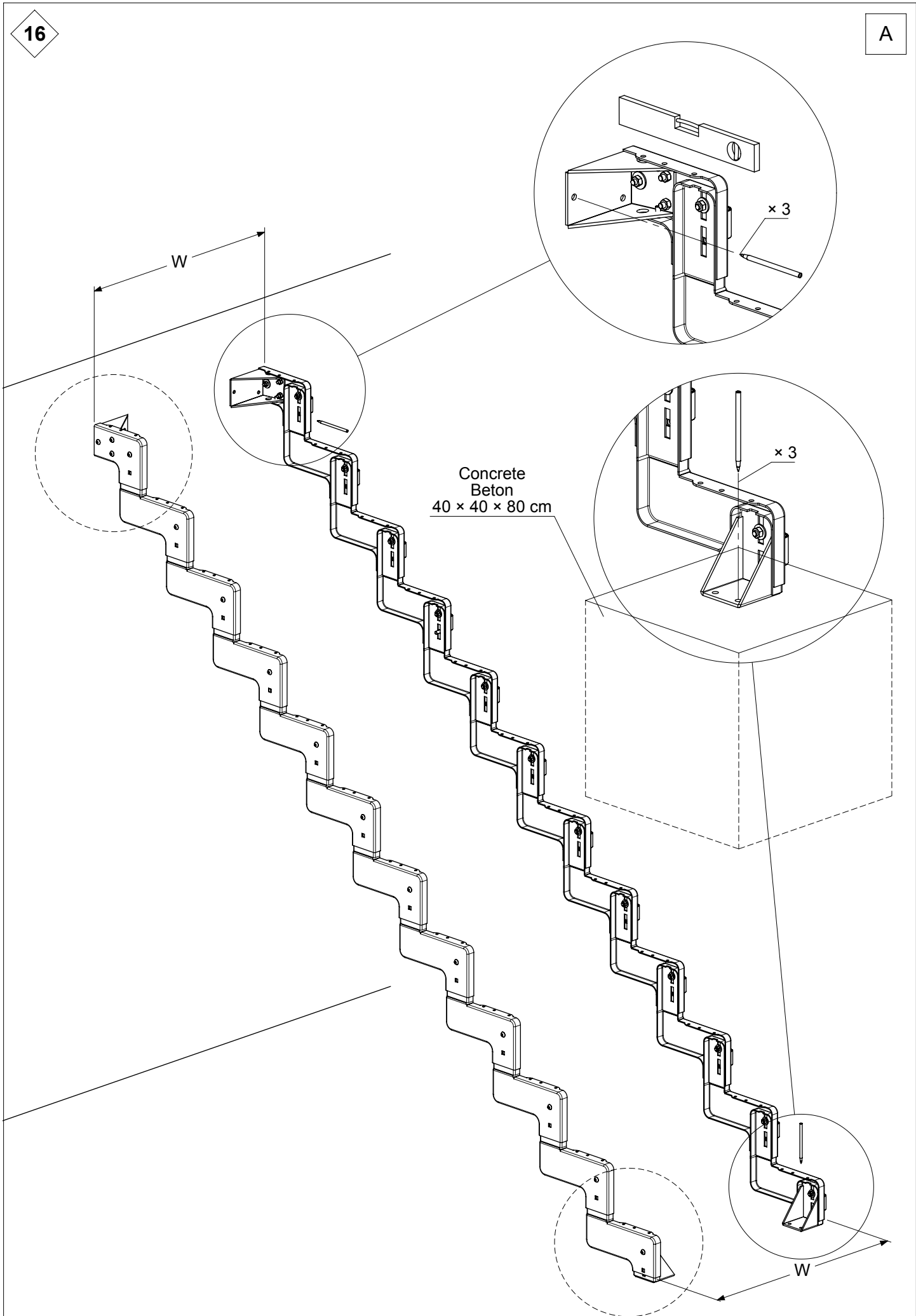
15

A



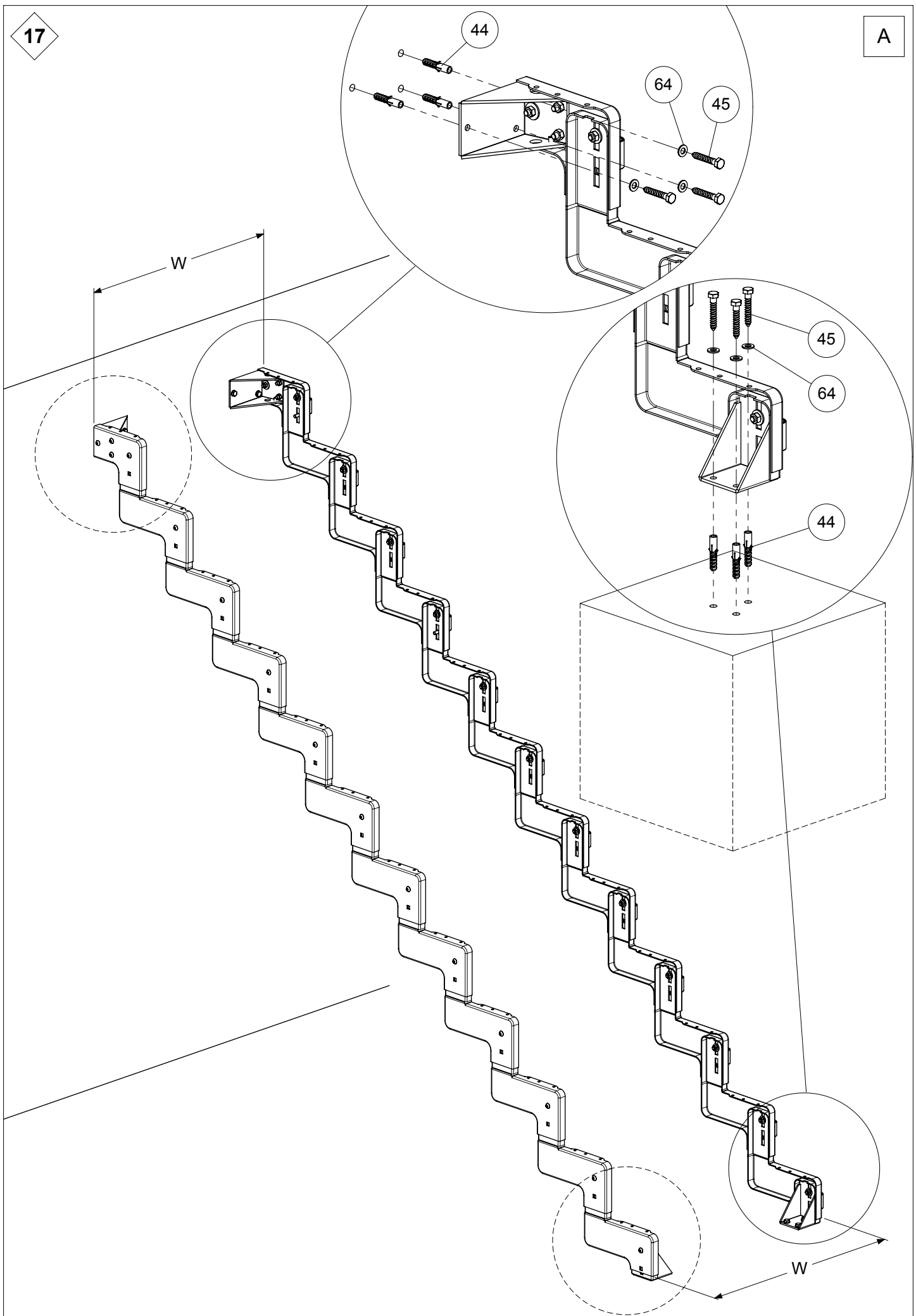
16

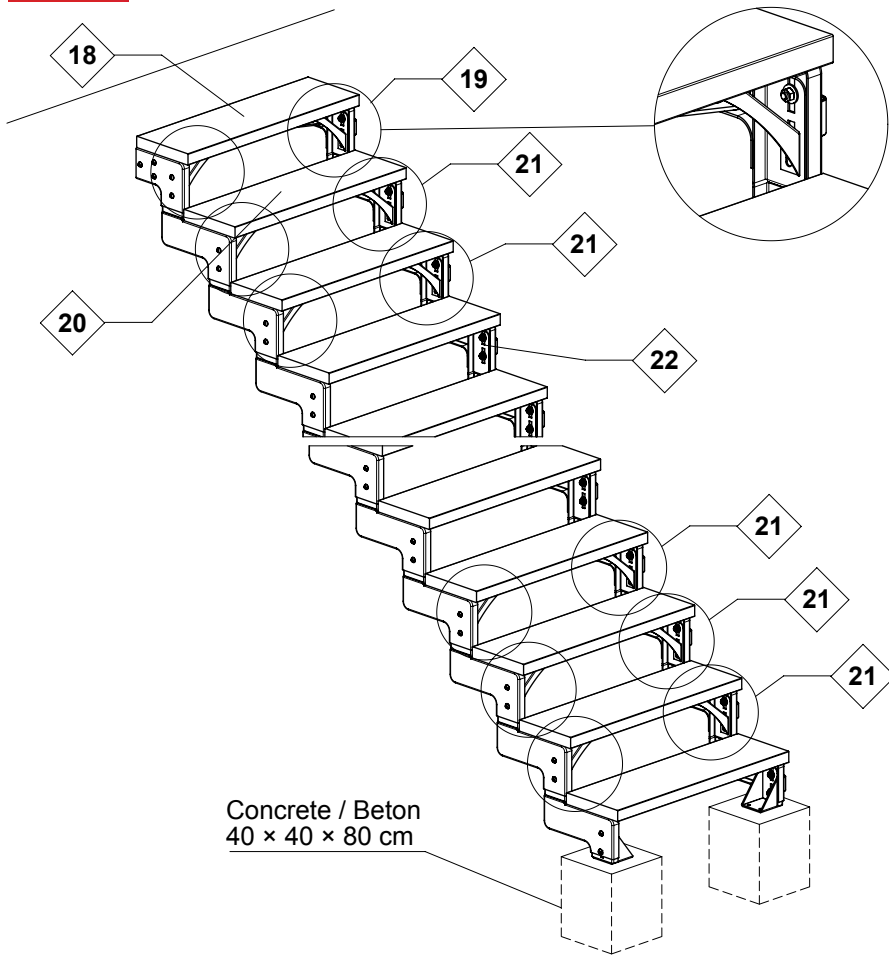
A




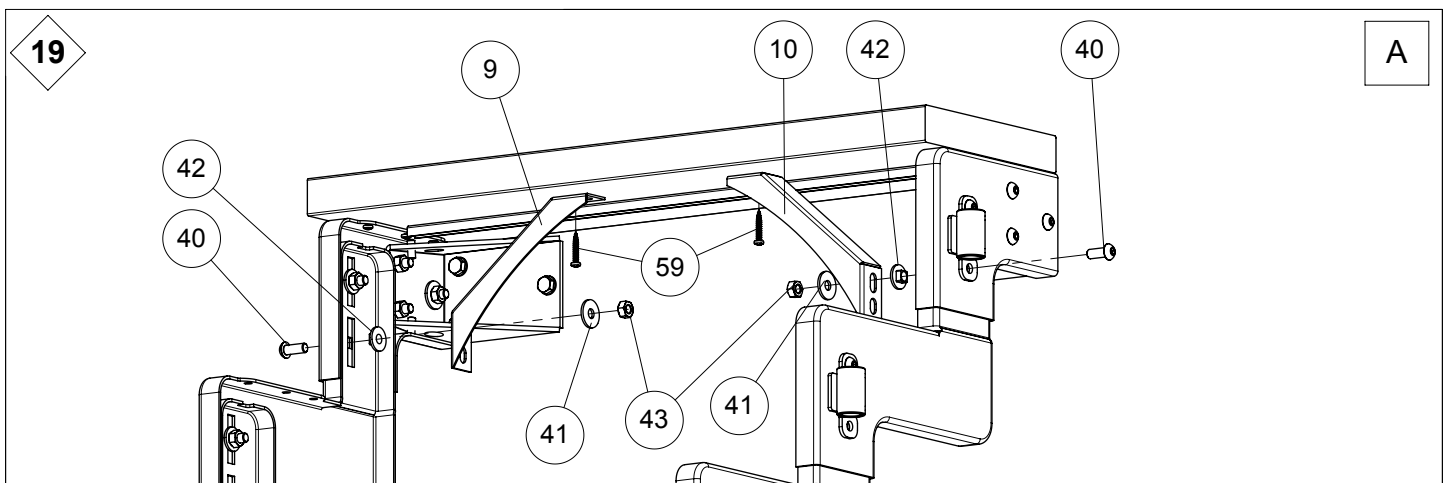
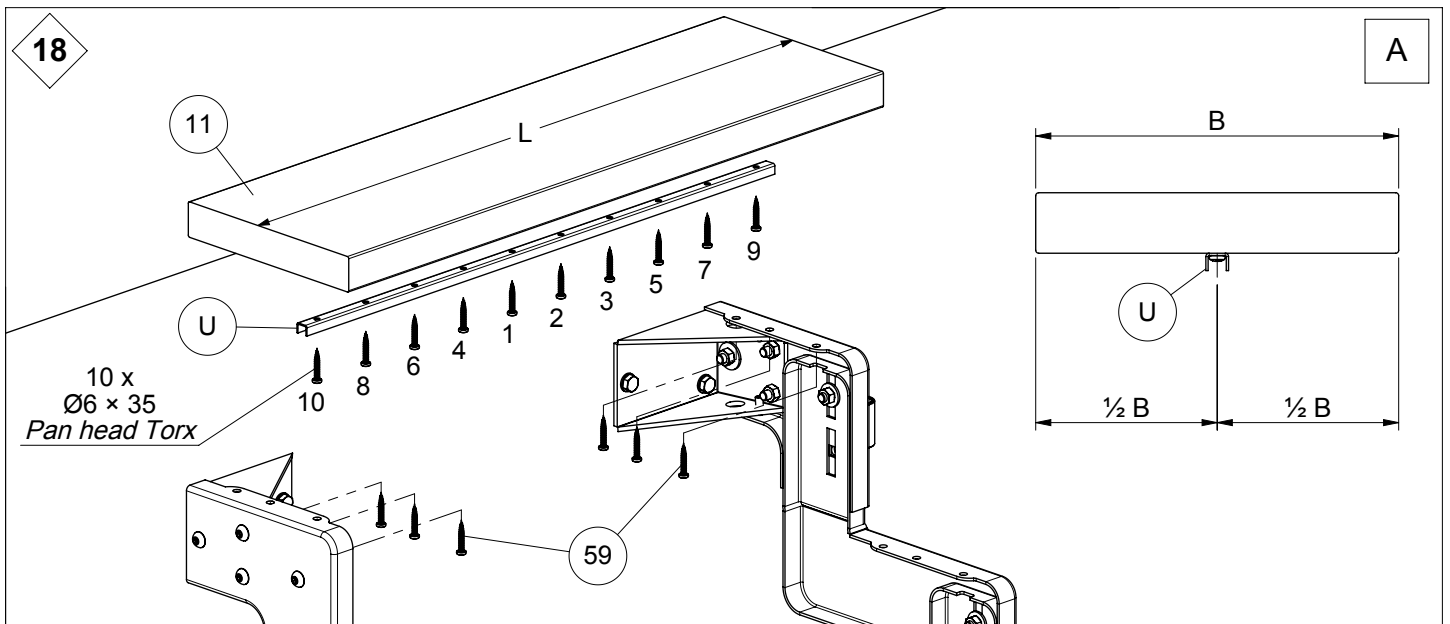
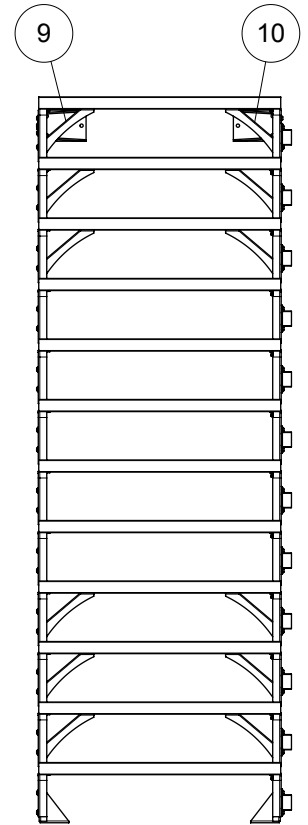
17

A



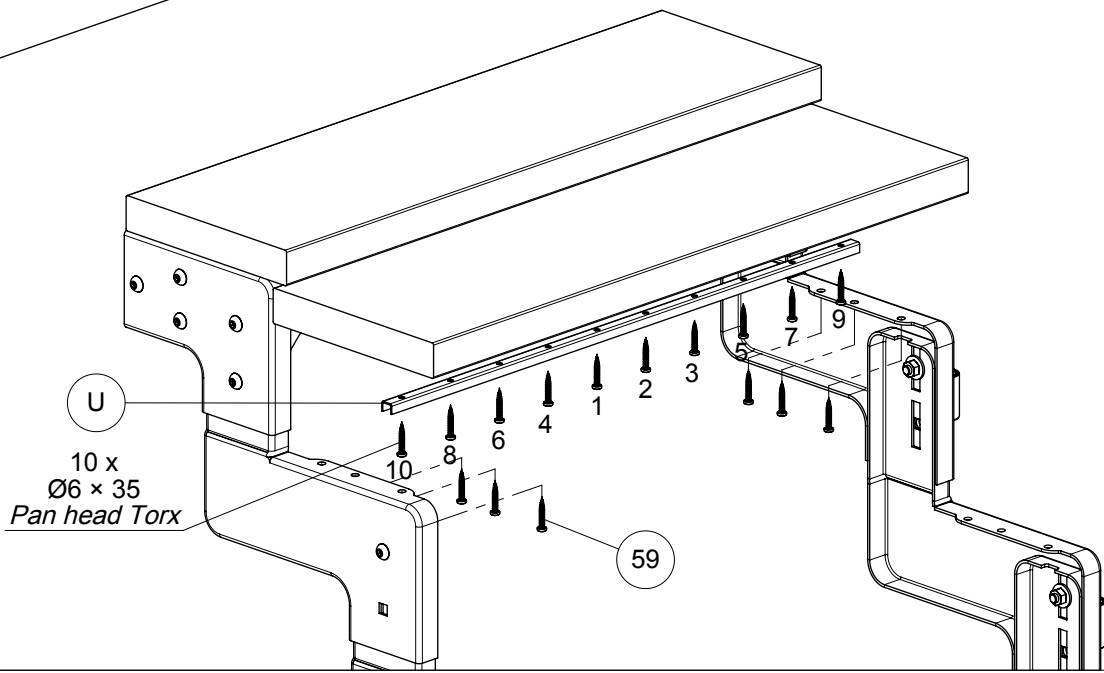



 If more than
6 steps:
Add
 (9) + (10)
 Wenn mehr als
6 Stufen:
 (9) + (10)
hinzufügen



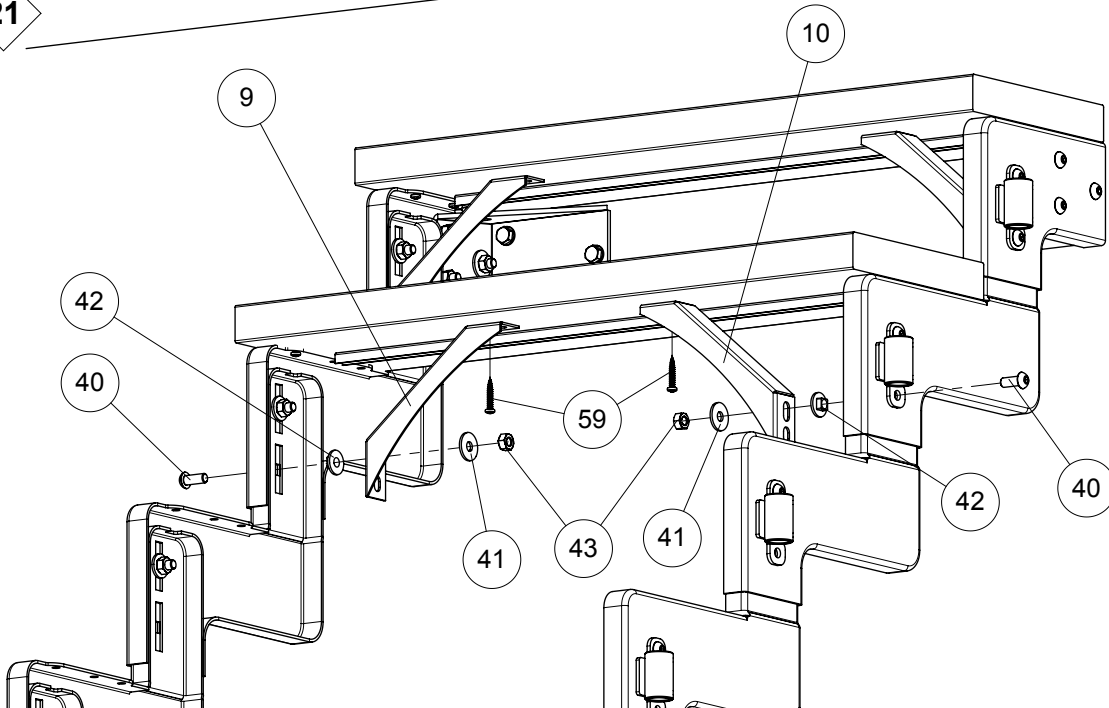
20

A



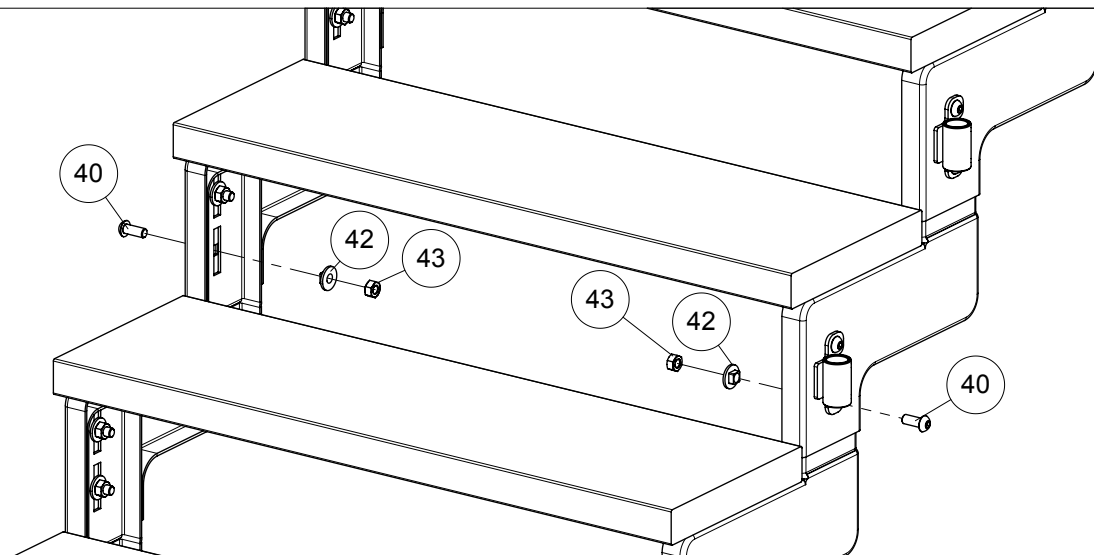
21

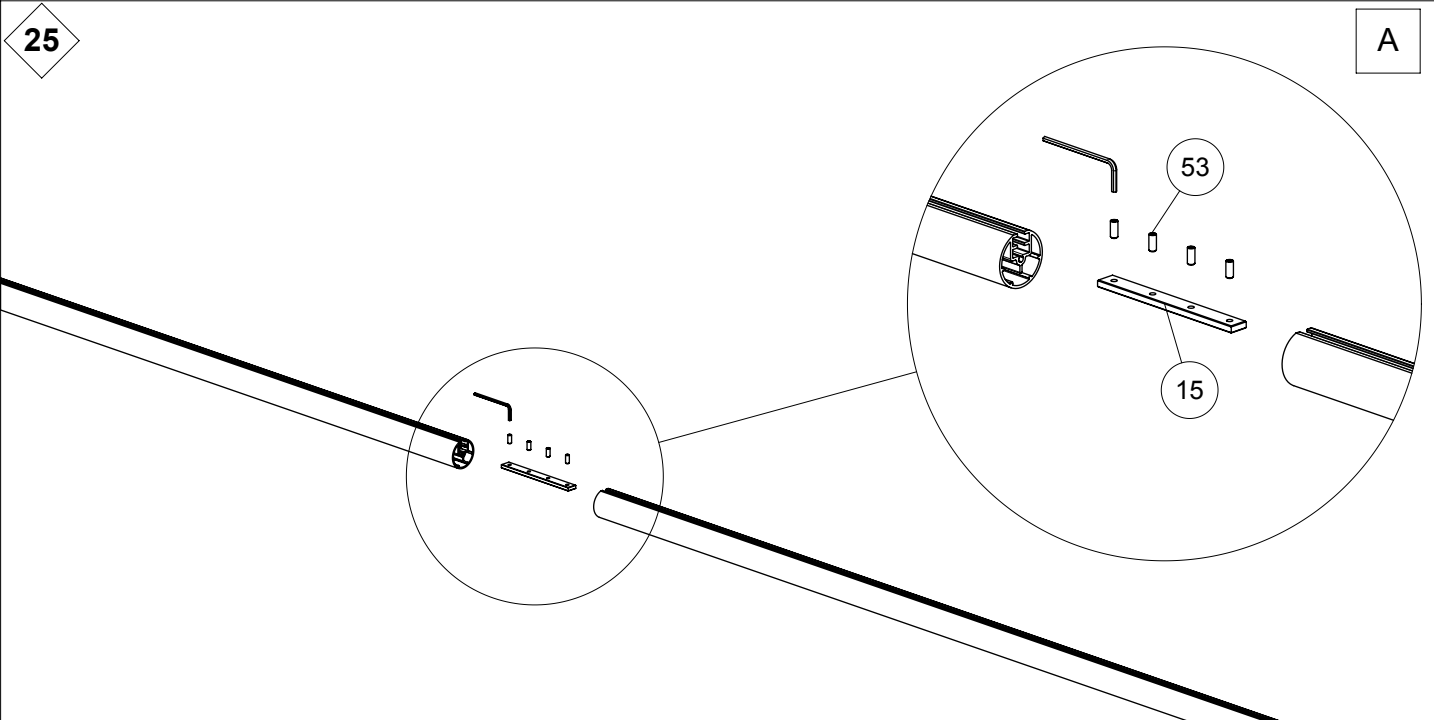
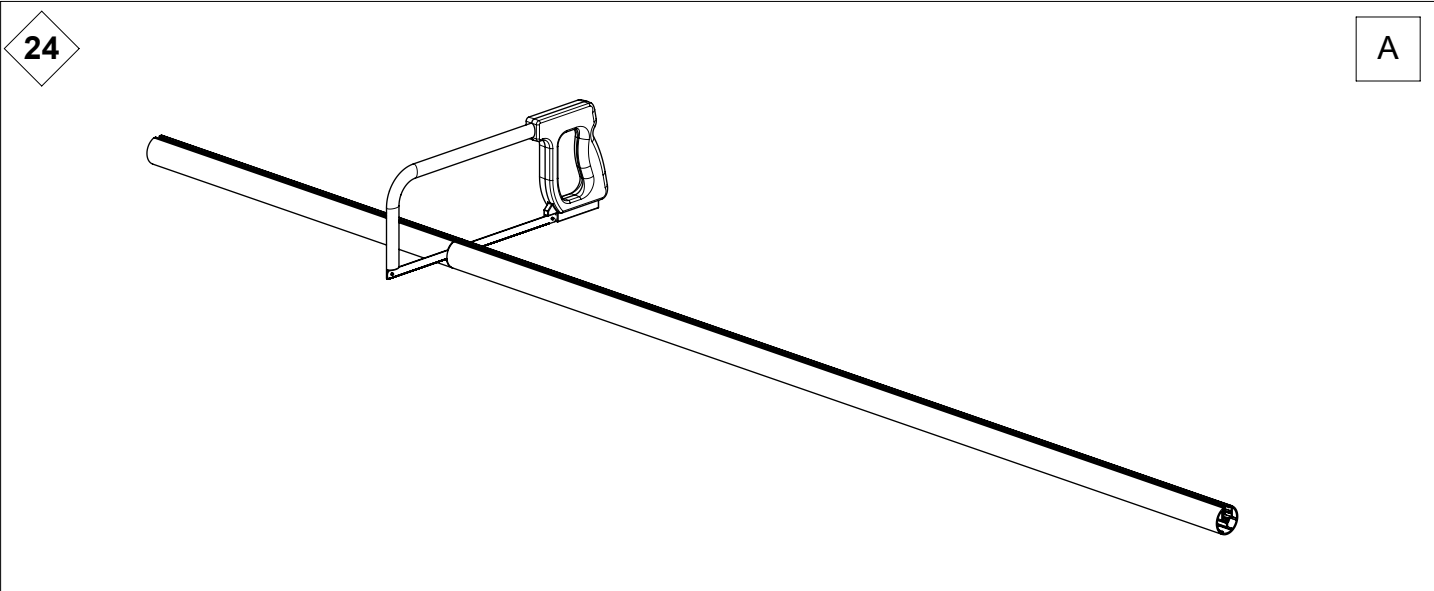
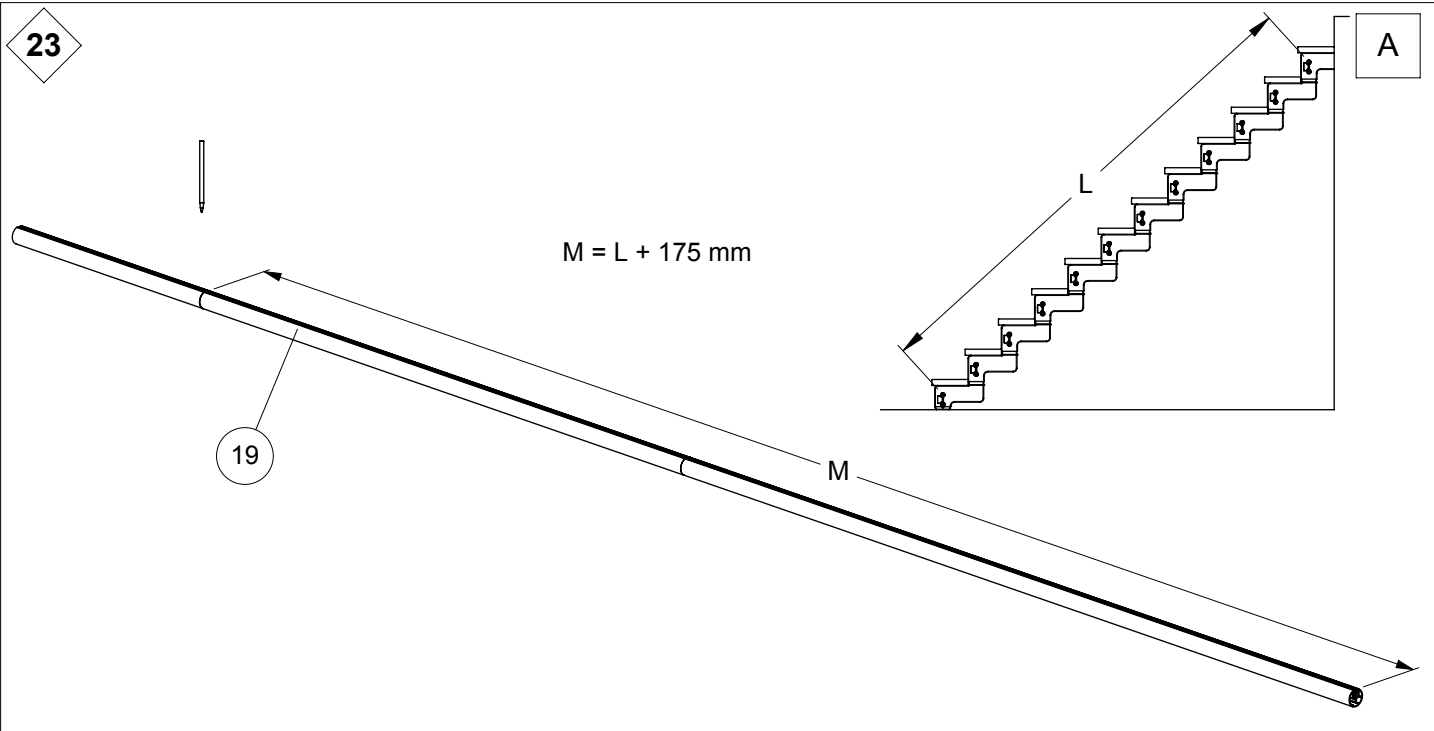
A

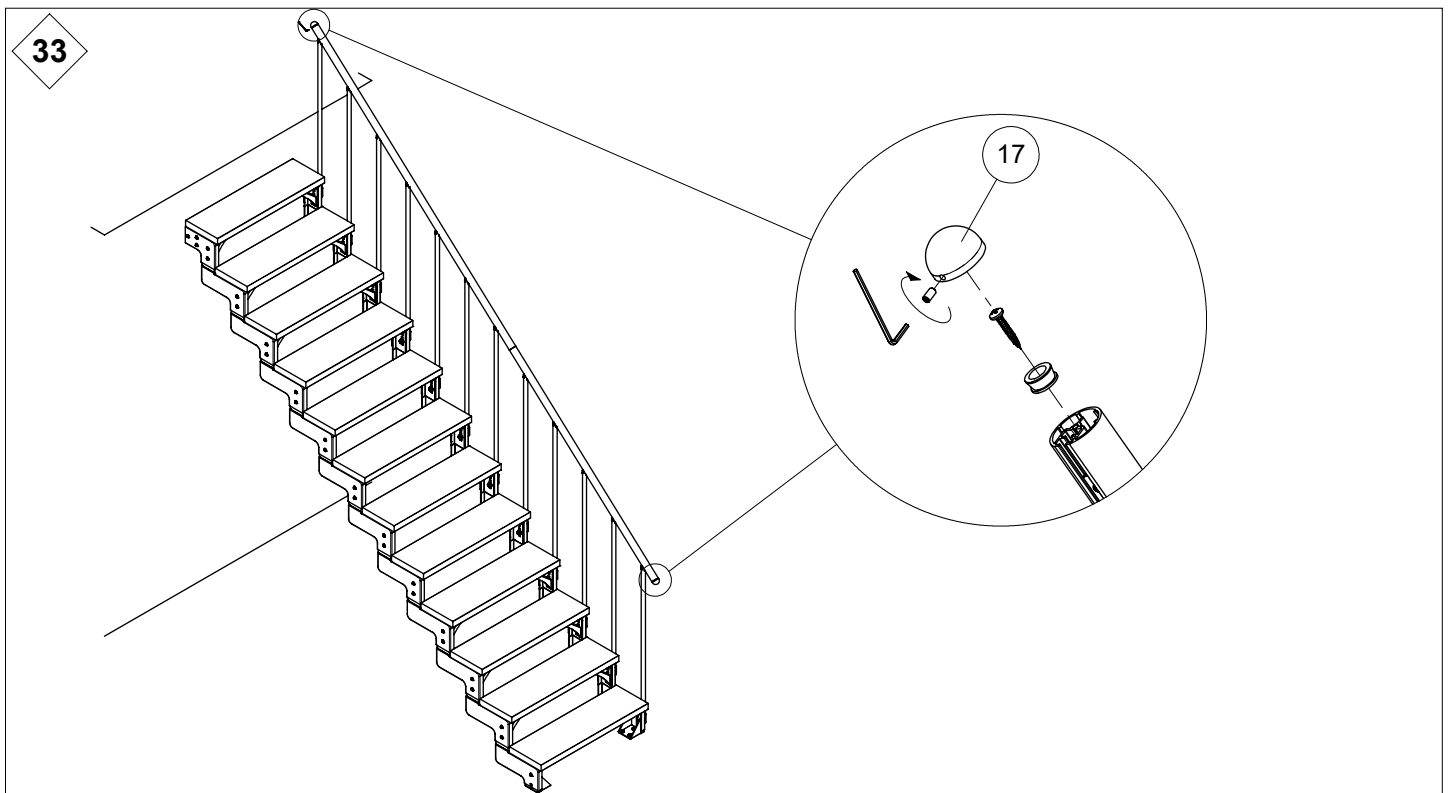
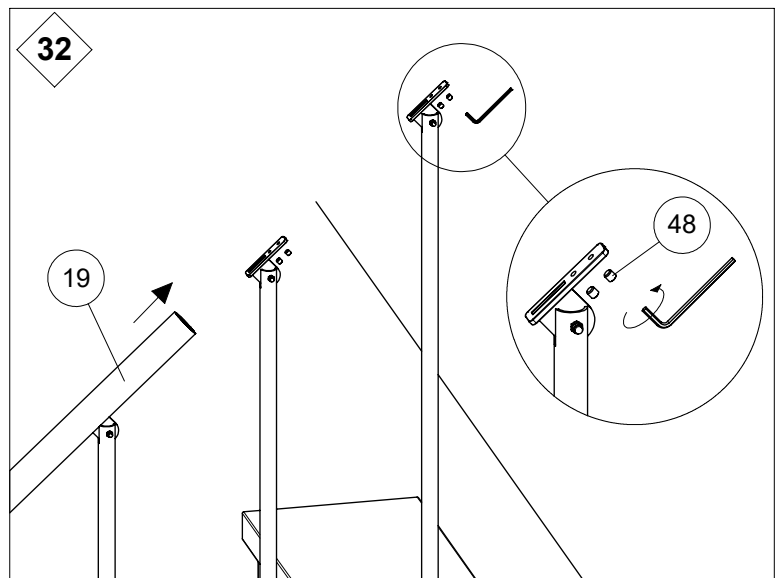
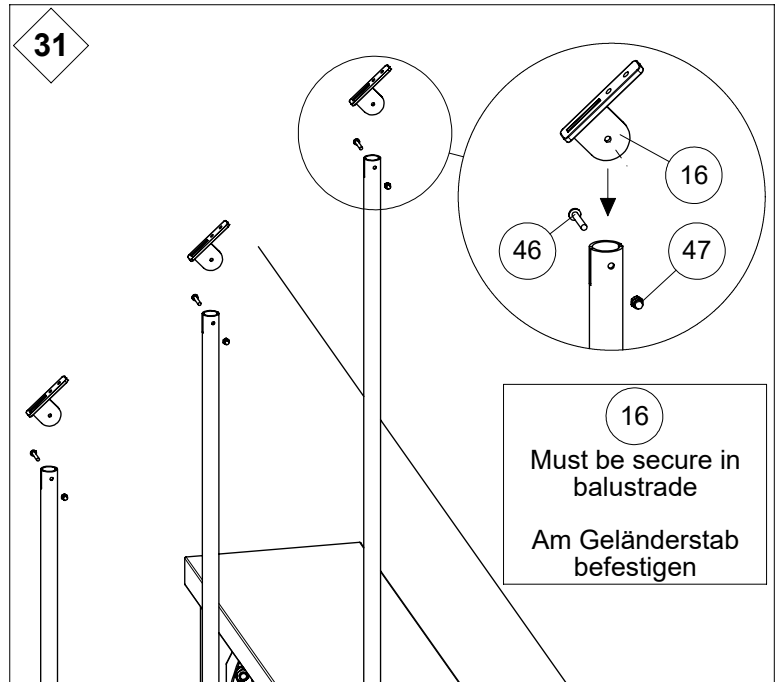
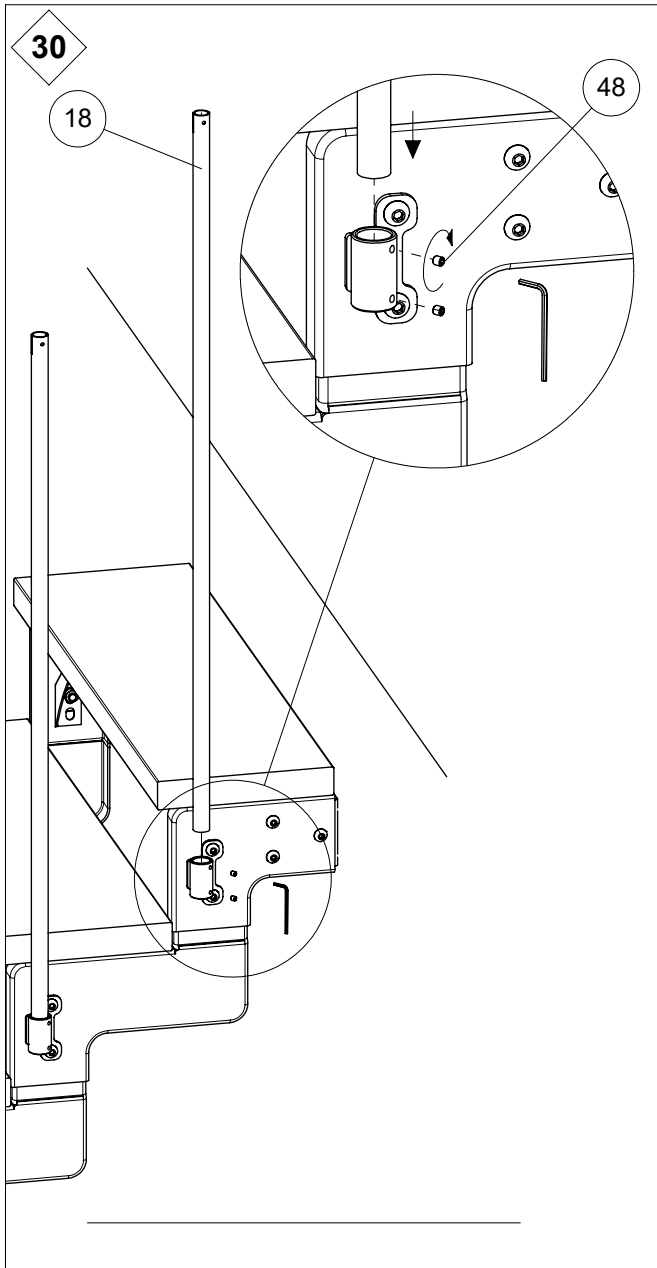


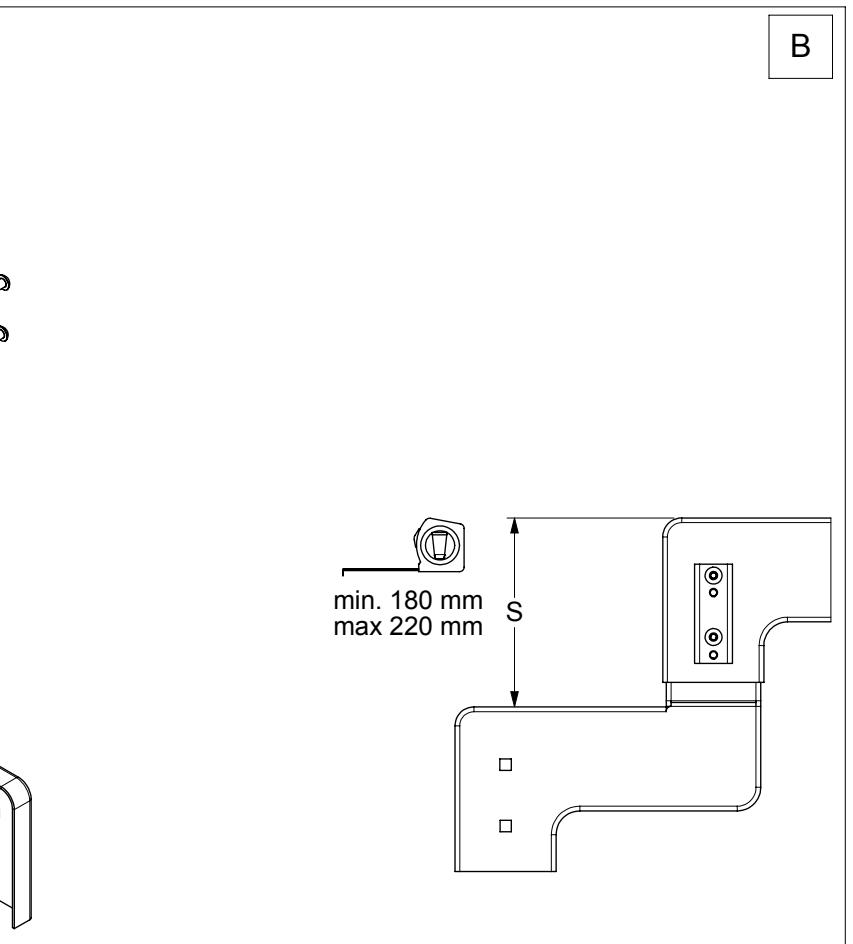
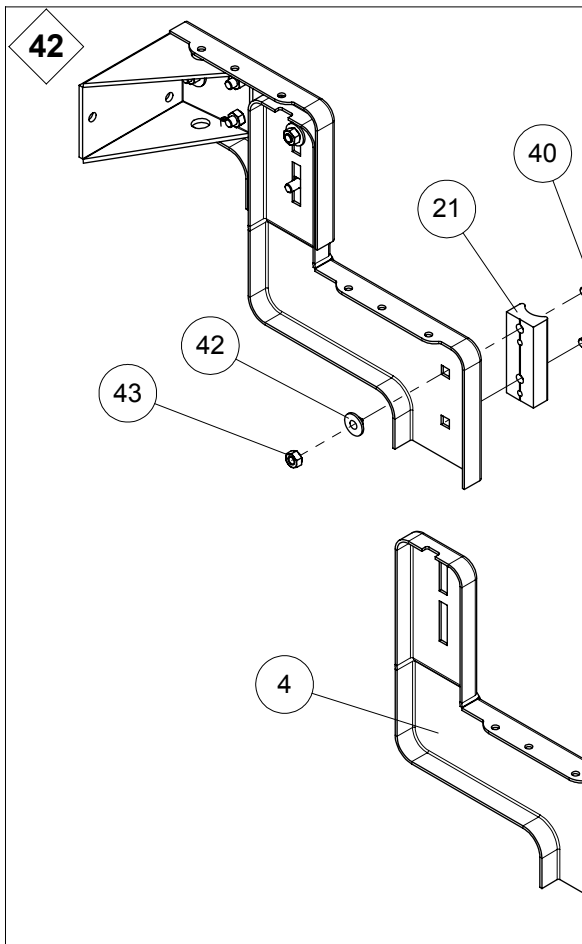
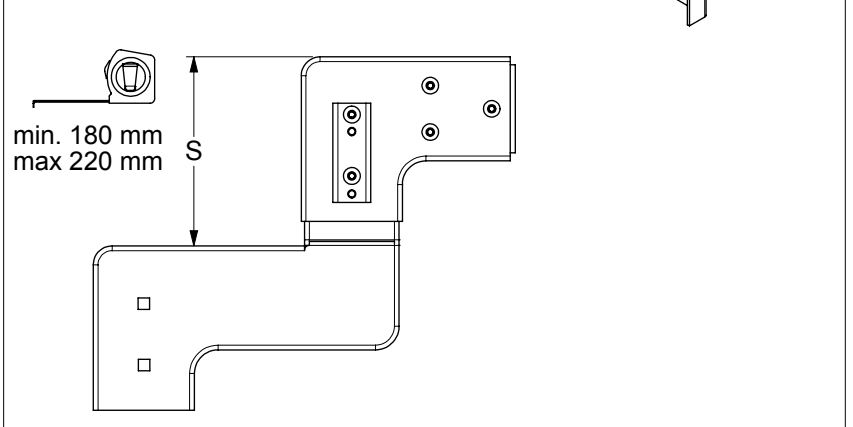
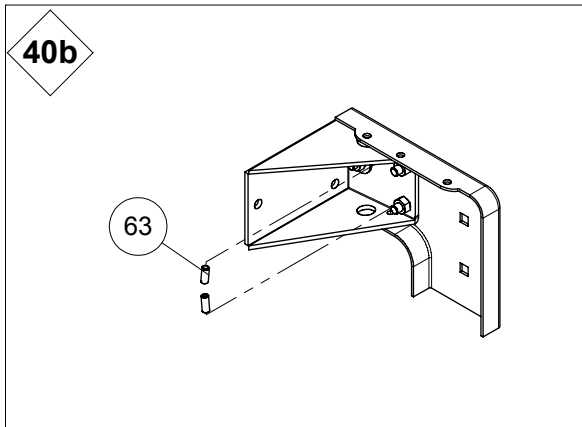
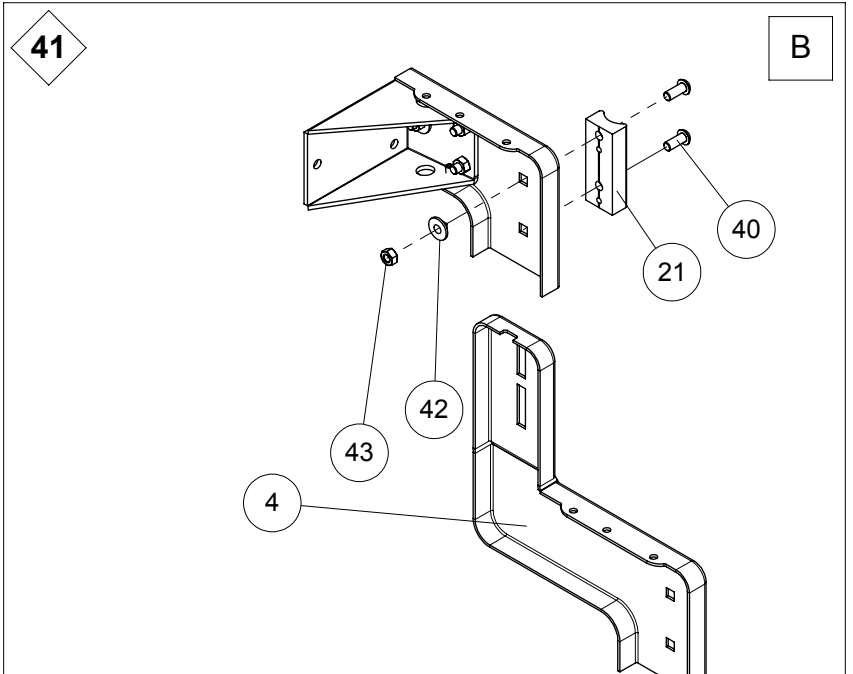
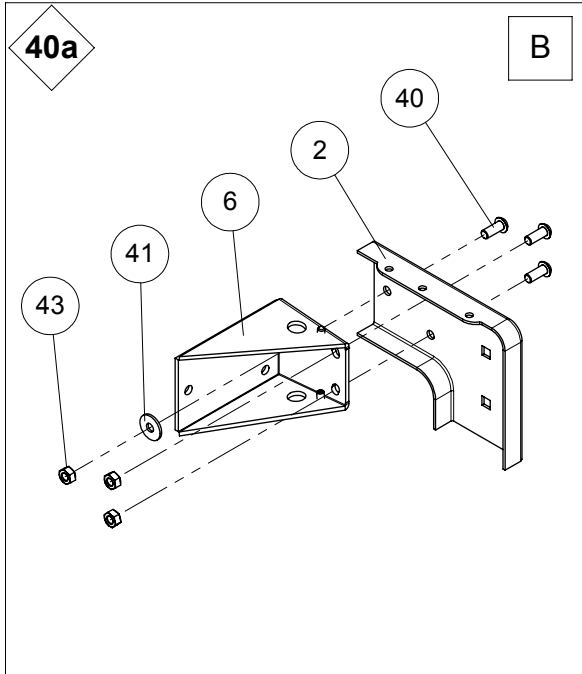
22

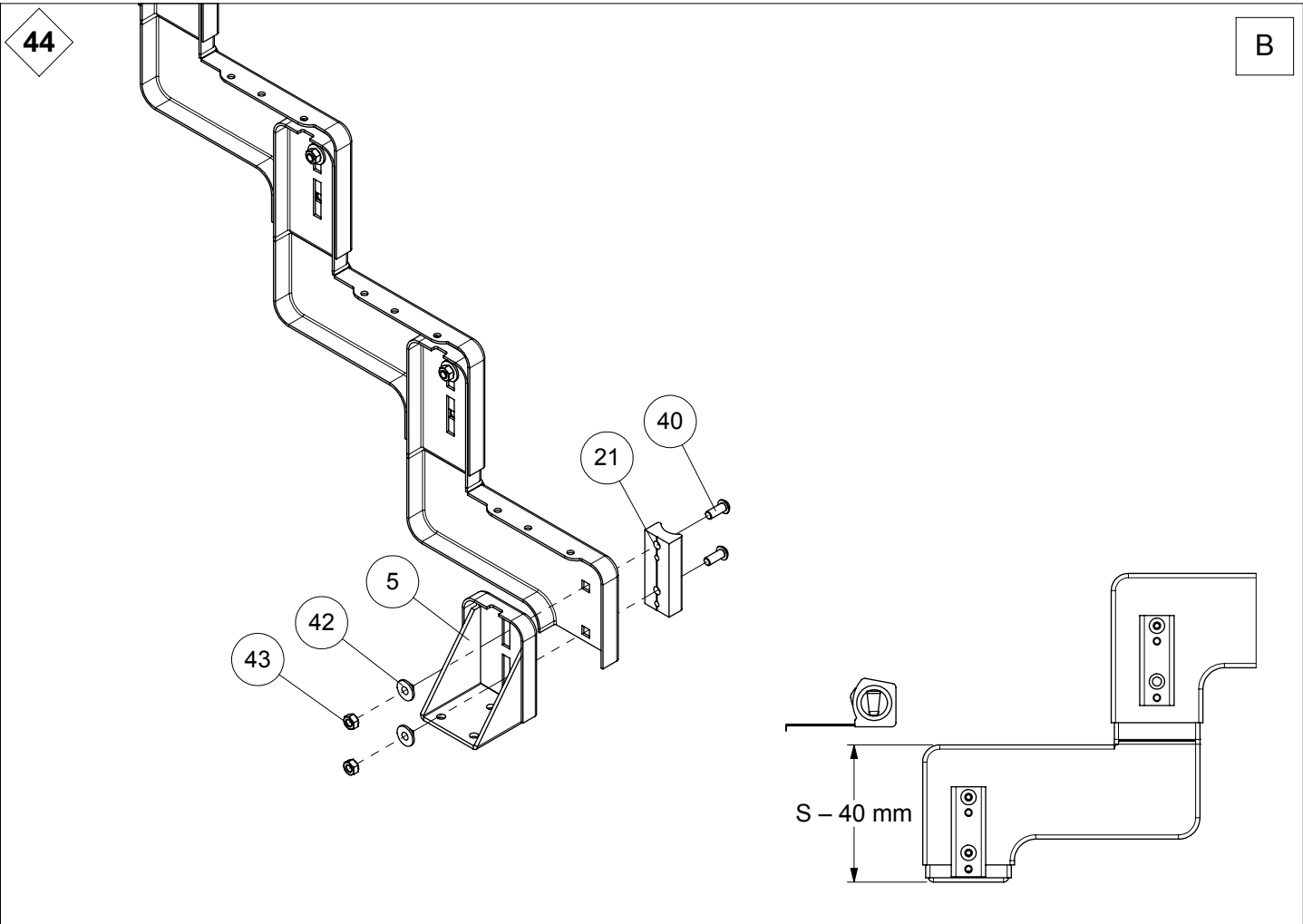
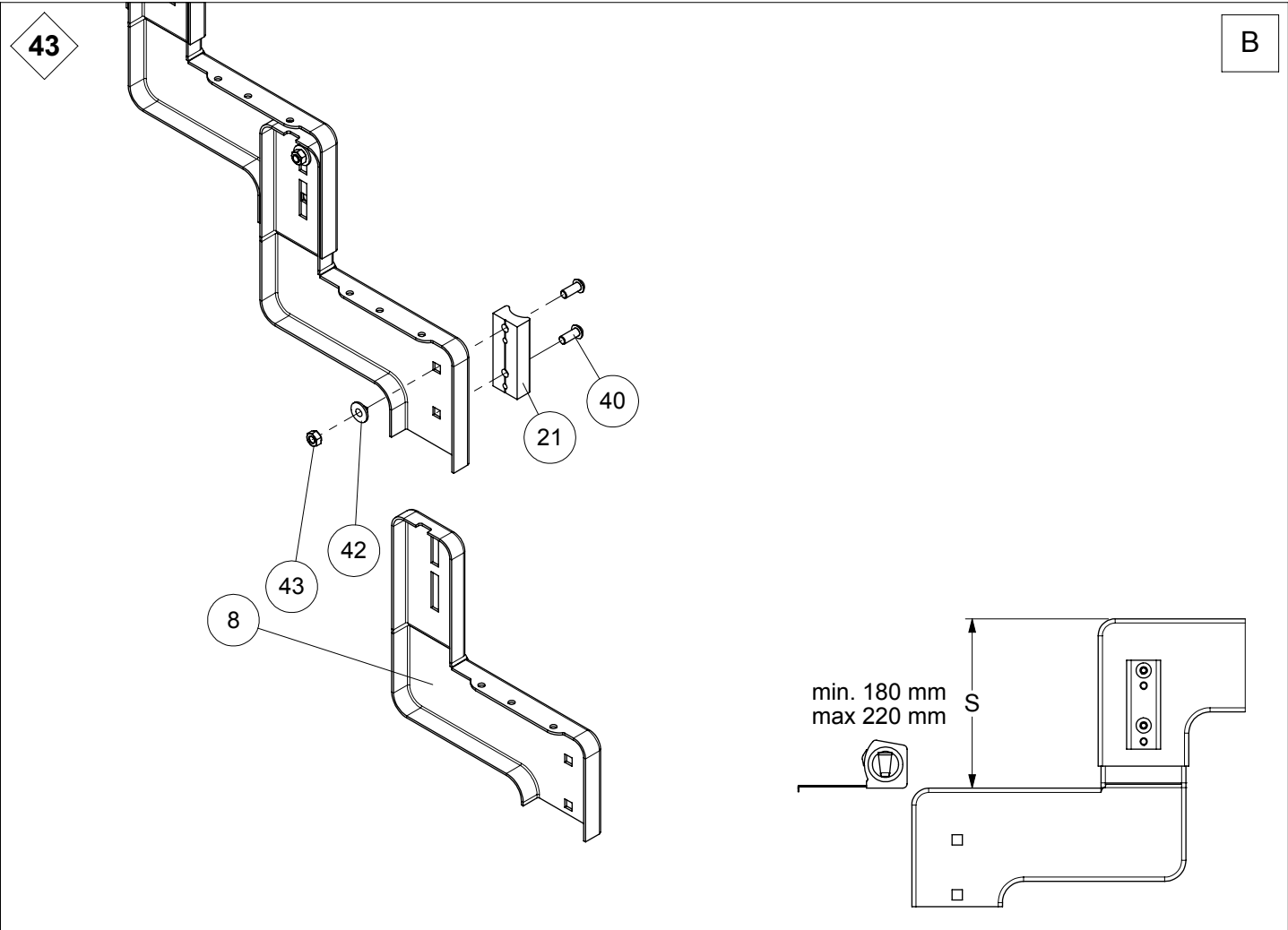
A





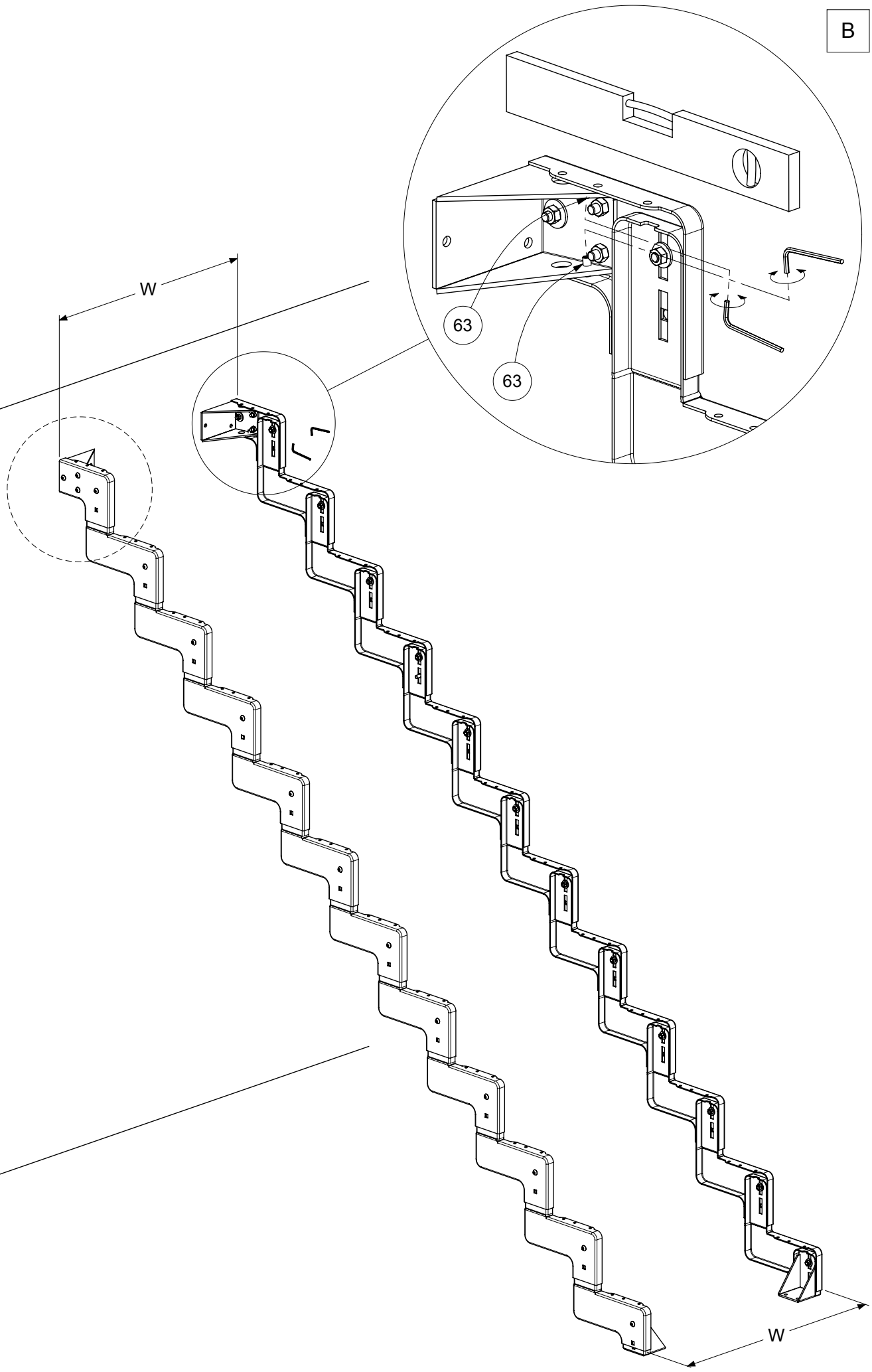






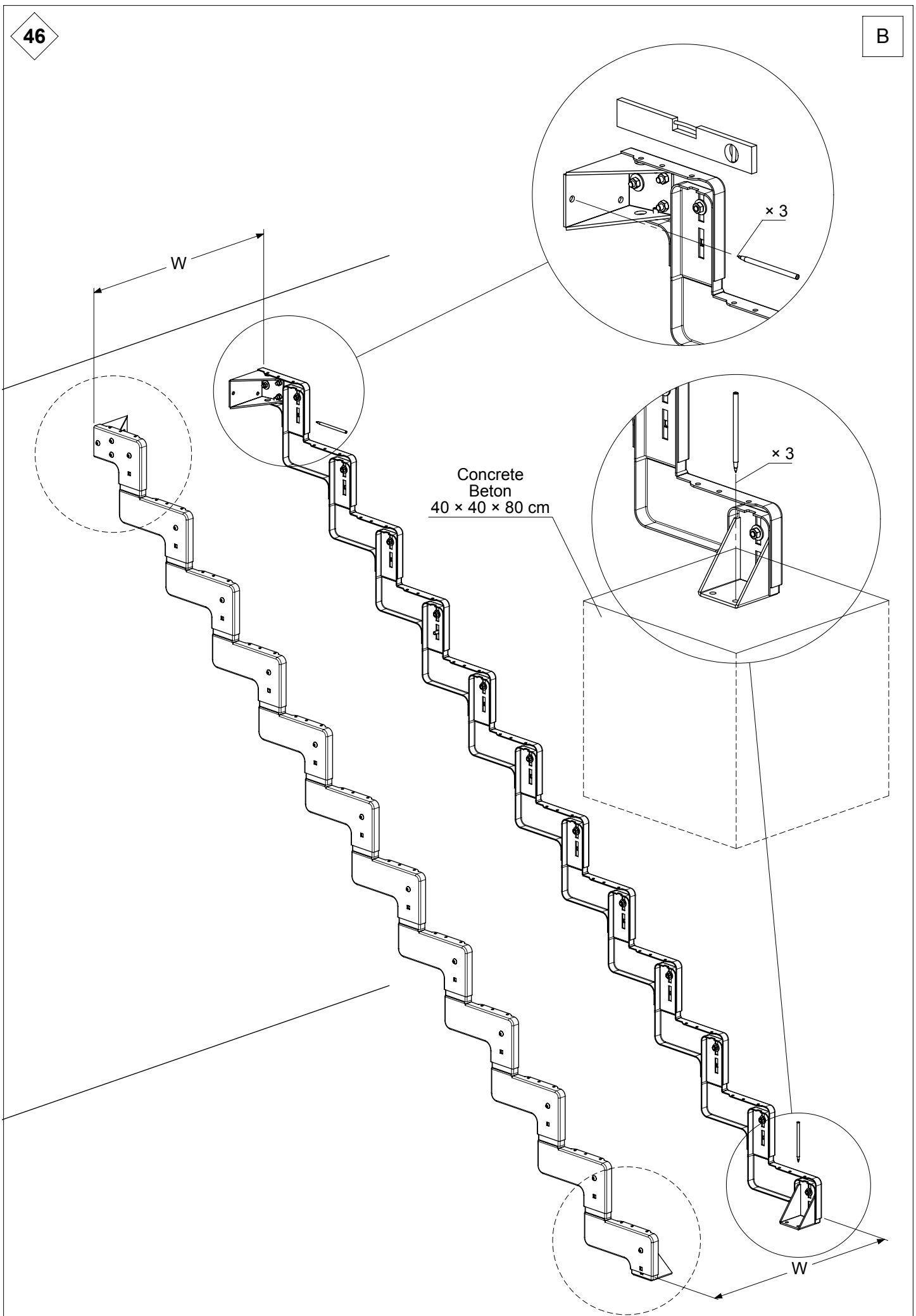
45

B



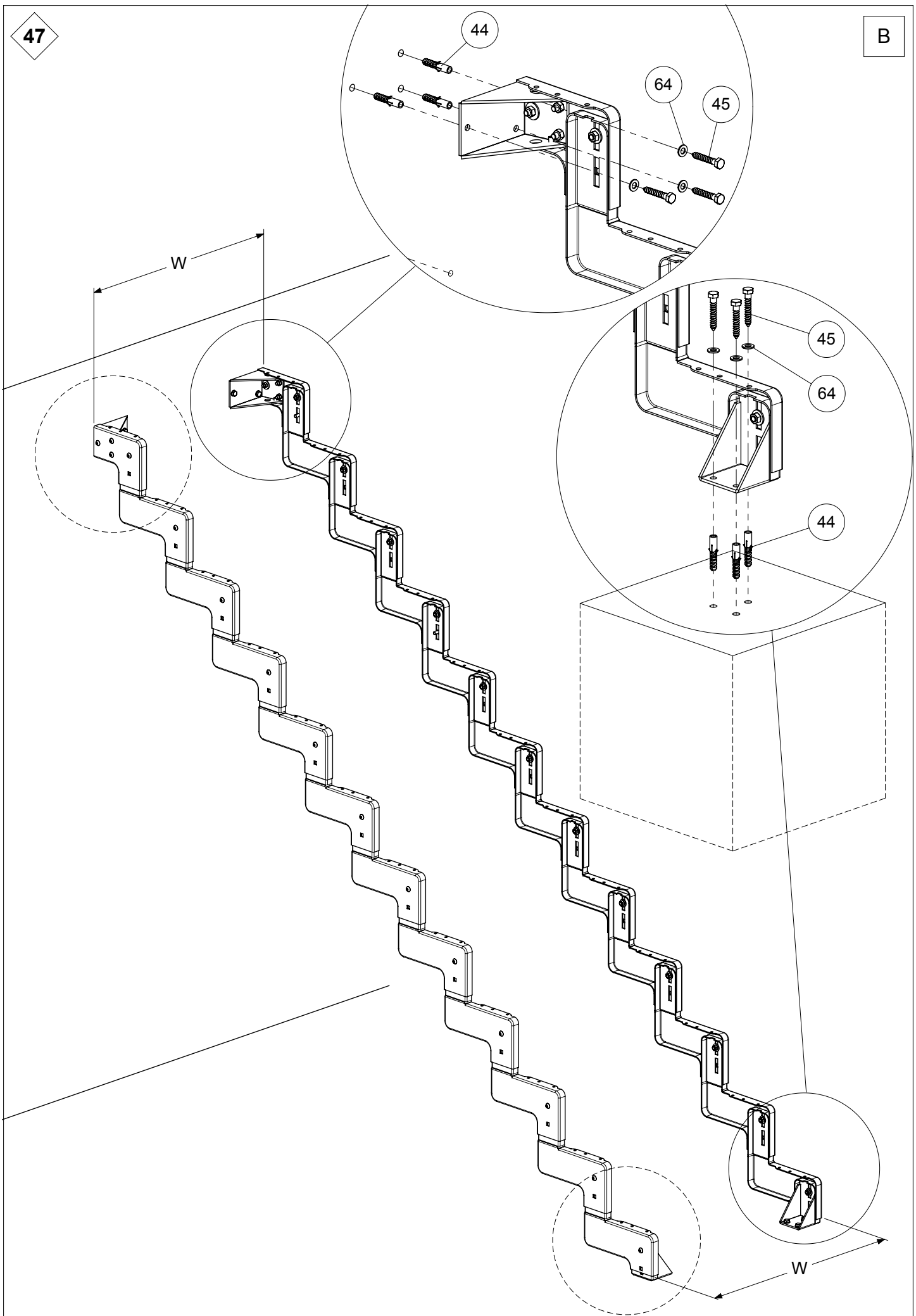
46

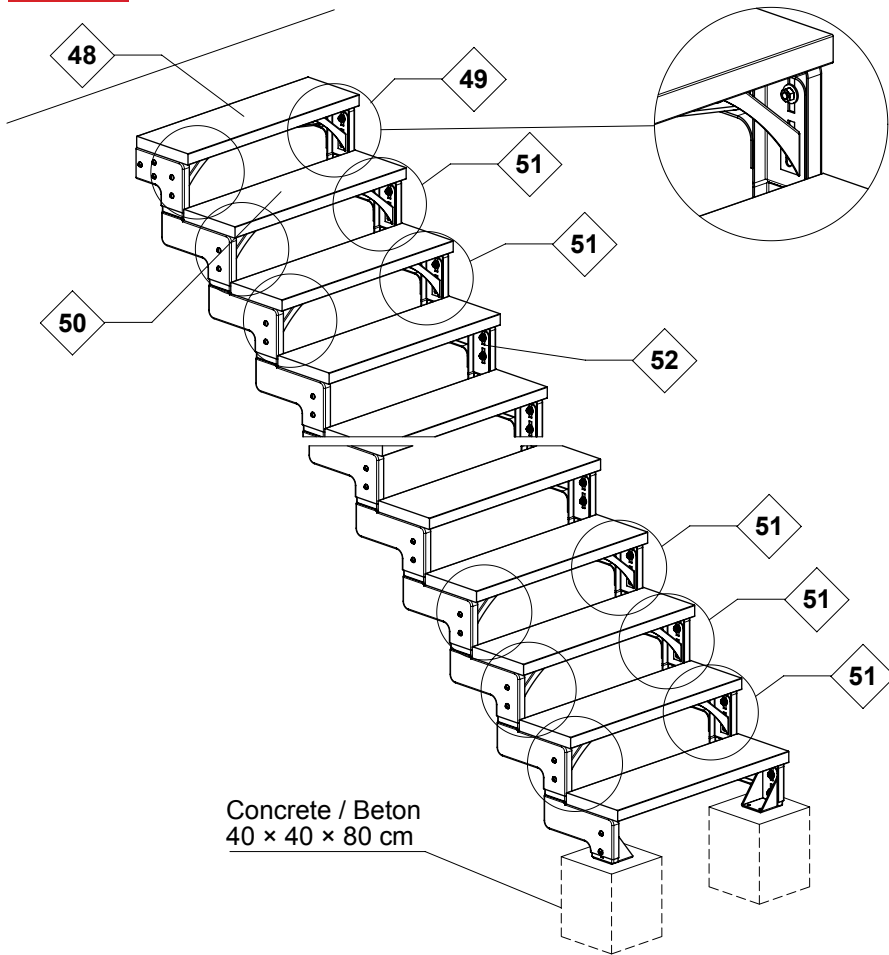
B




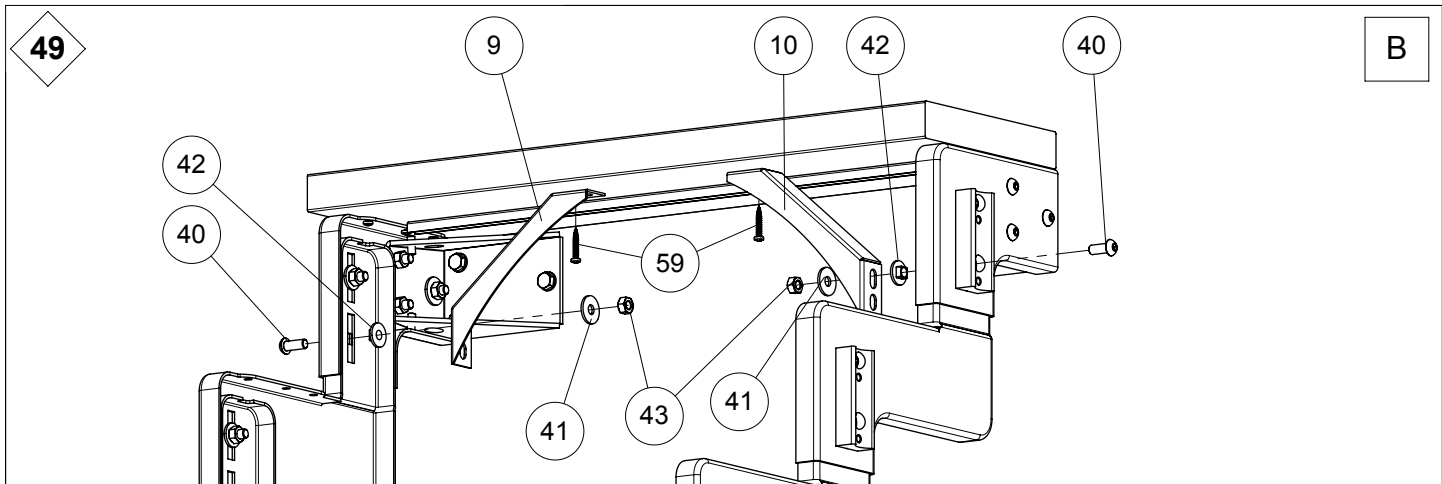
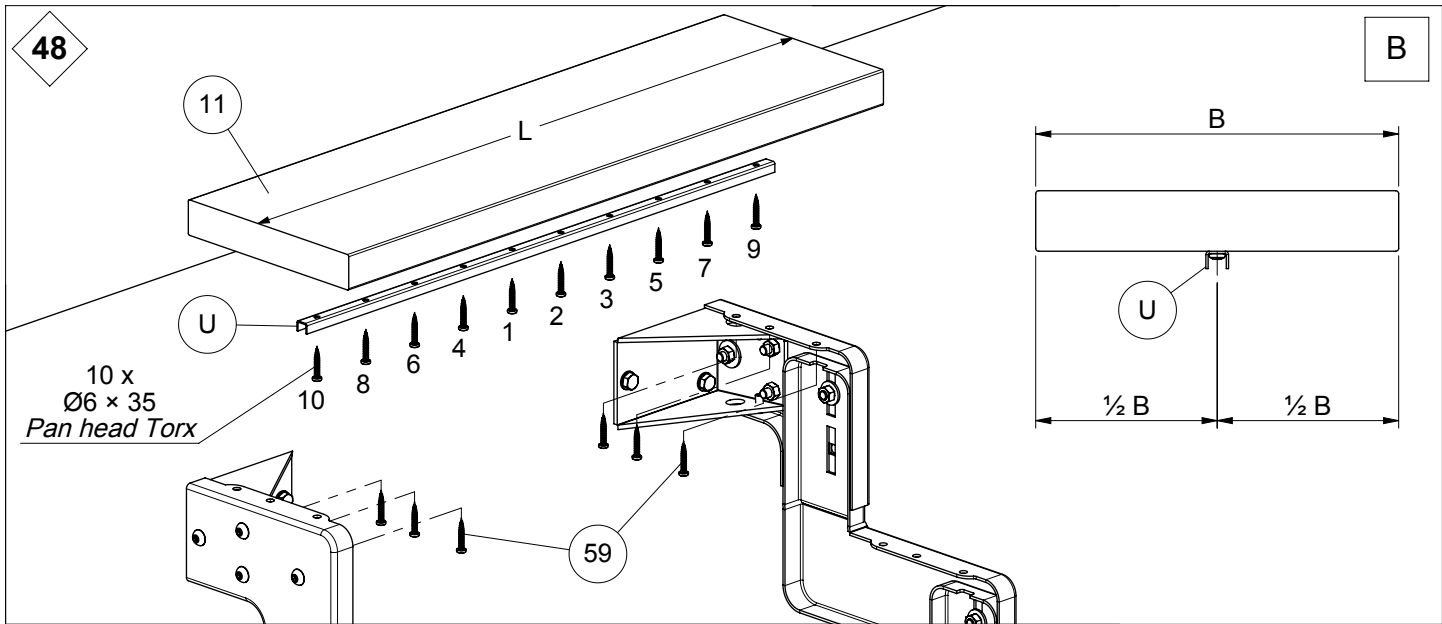
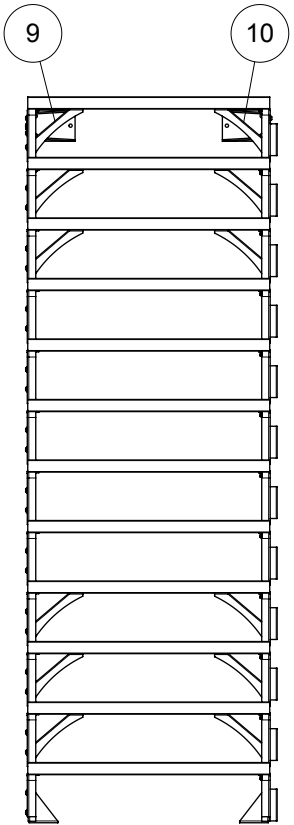
47

B



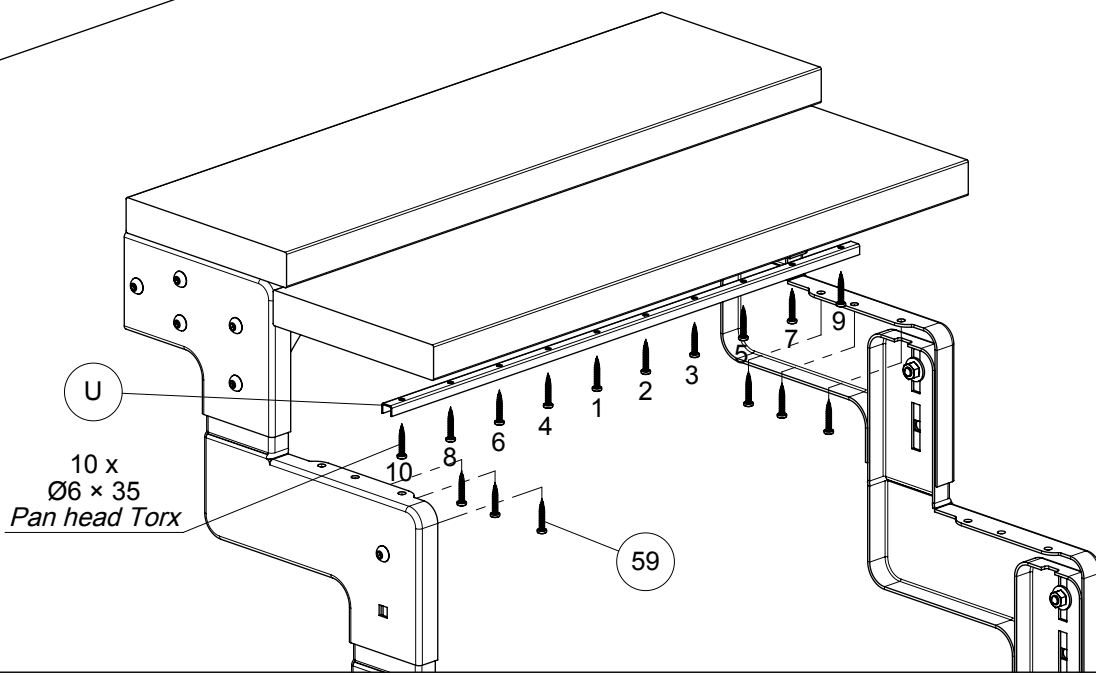



 If more than
6 steps:
Add
 (9) + (10)
 Wenn mehr als
6 Stufen:
 (9) + (10)
hinzufügen



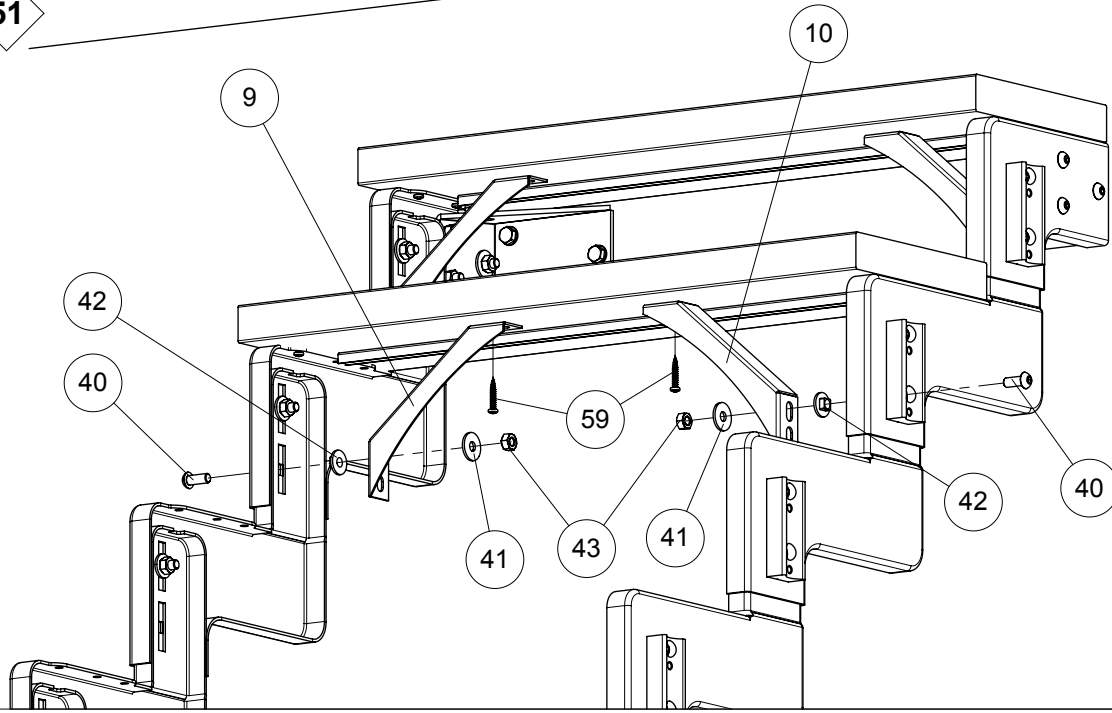
50

B



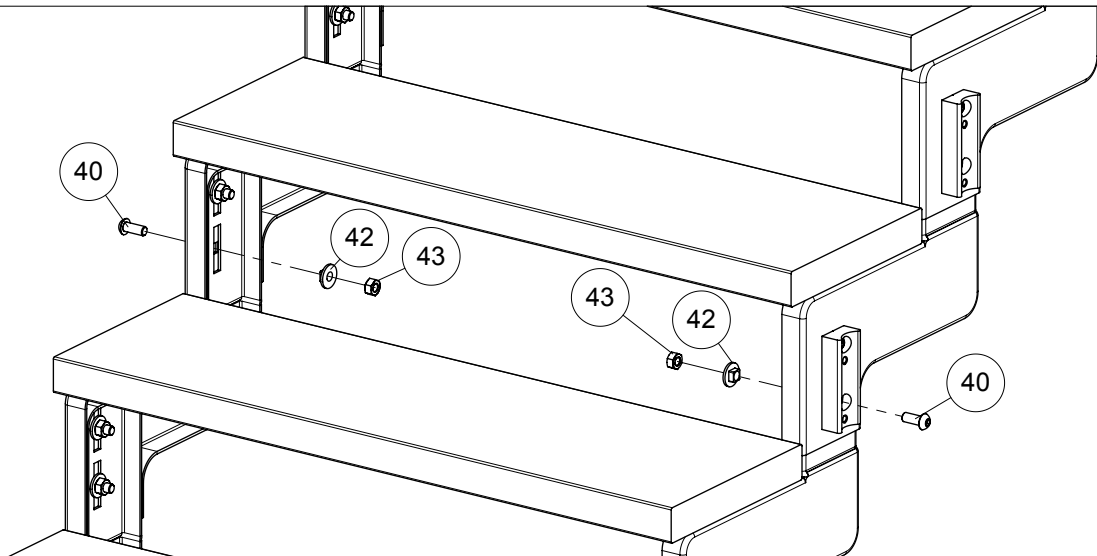
51

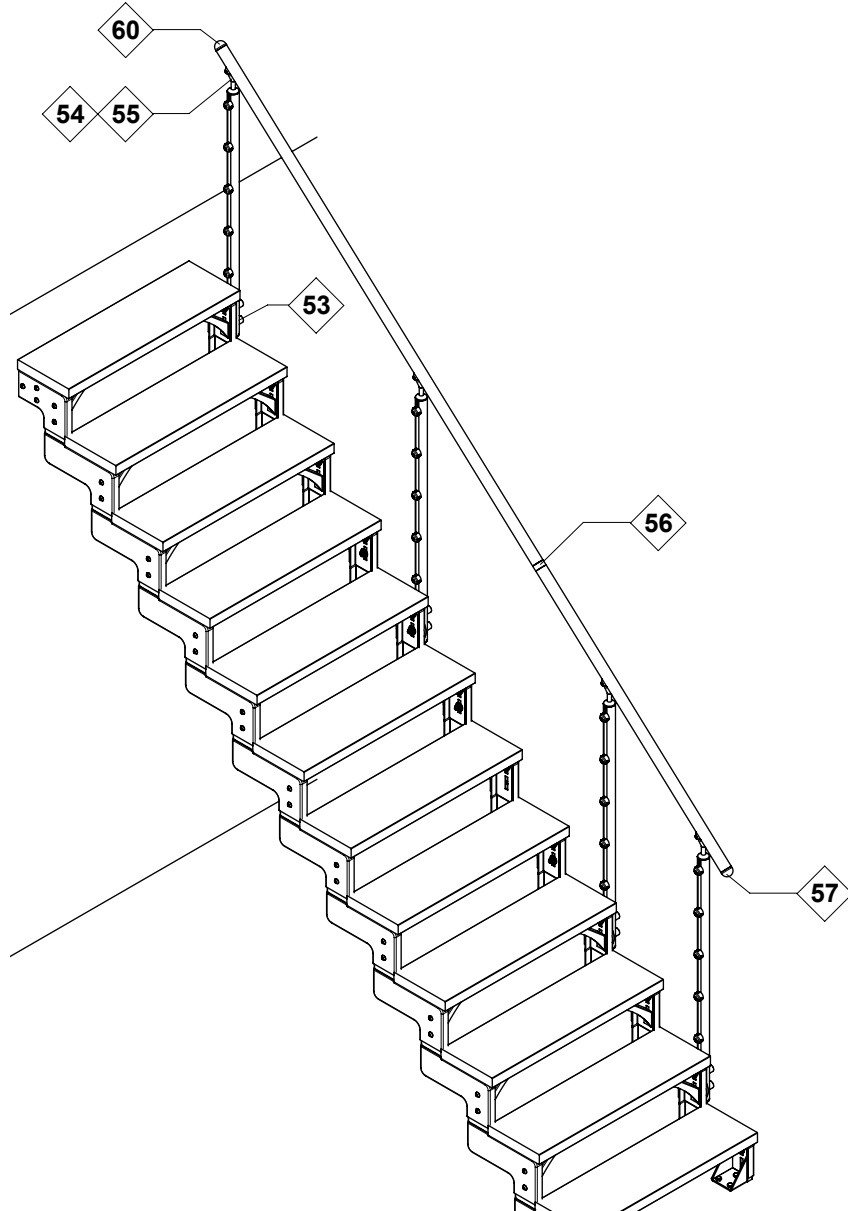
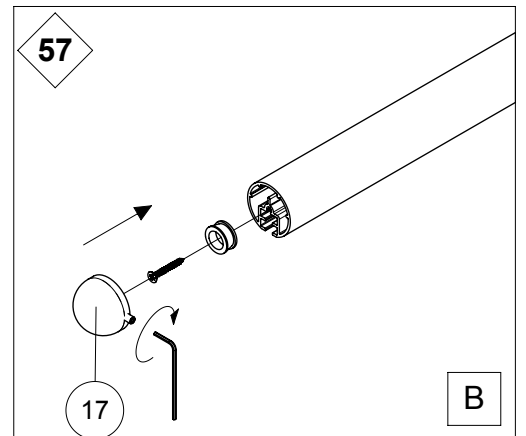
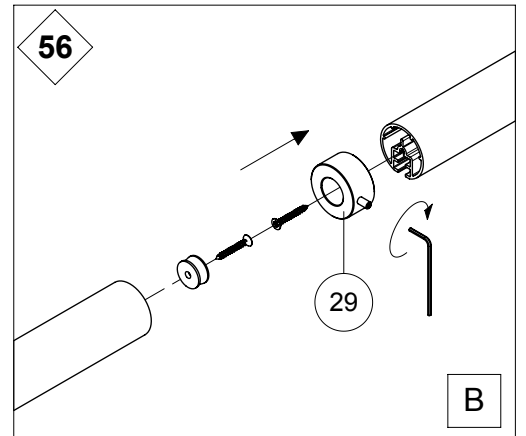
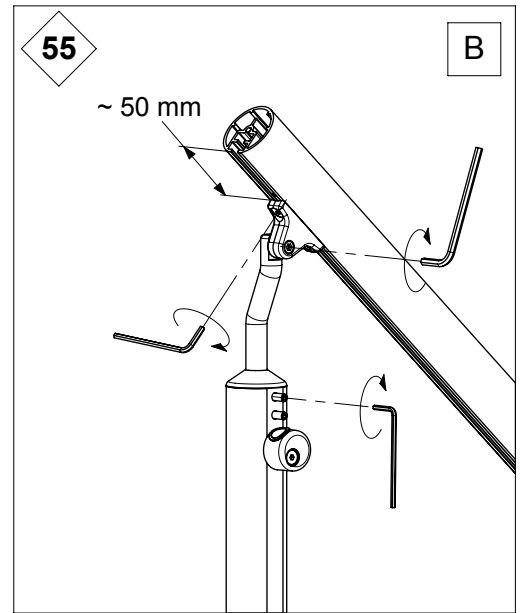
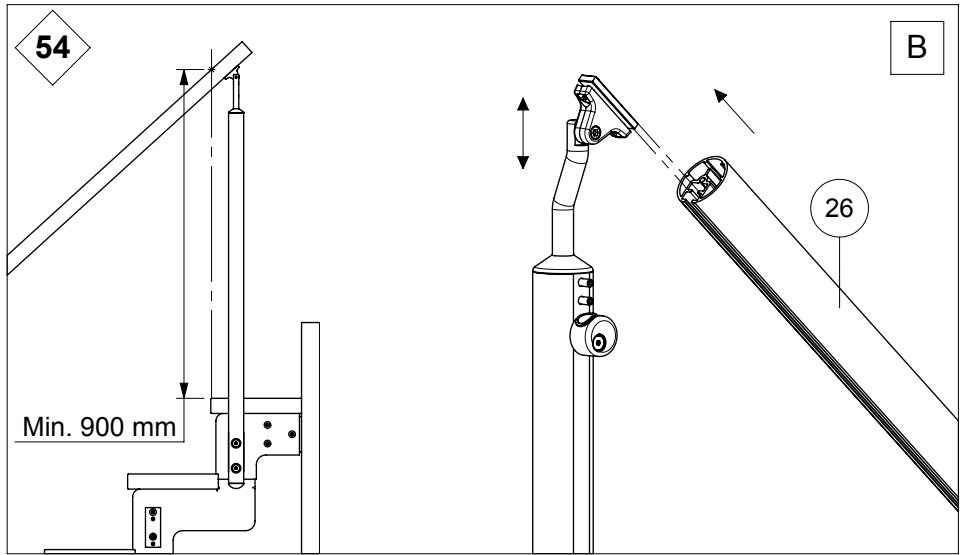
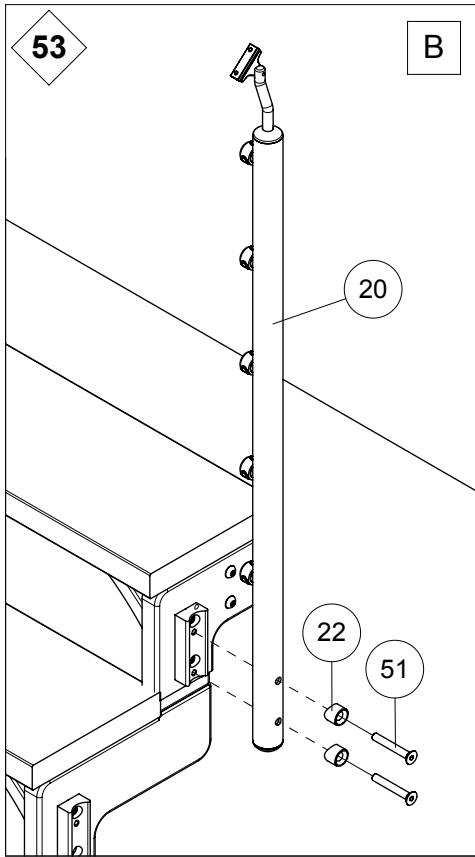
B

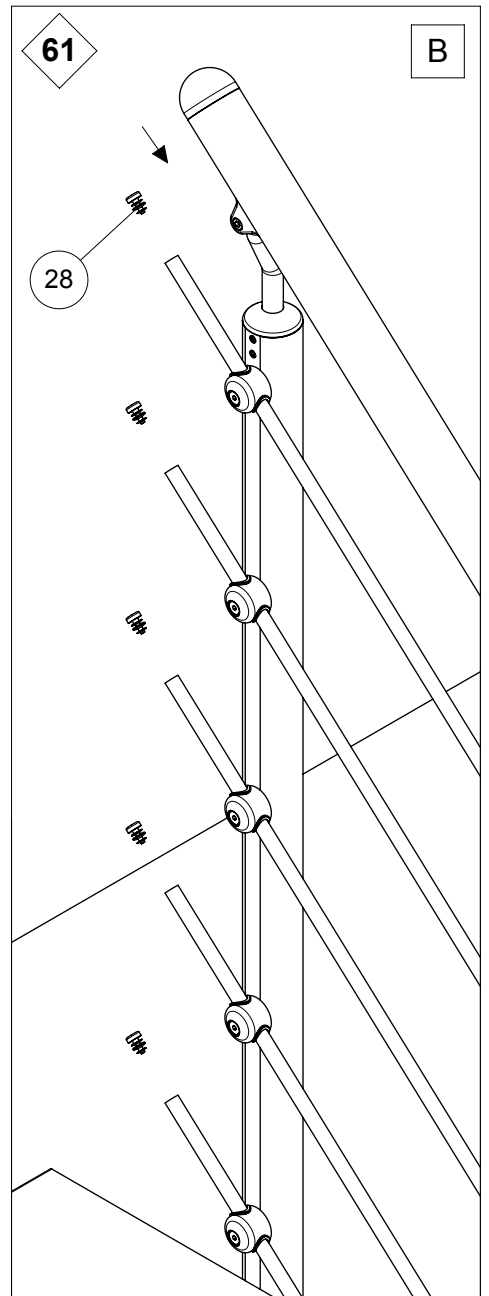
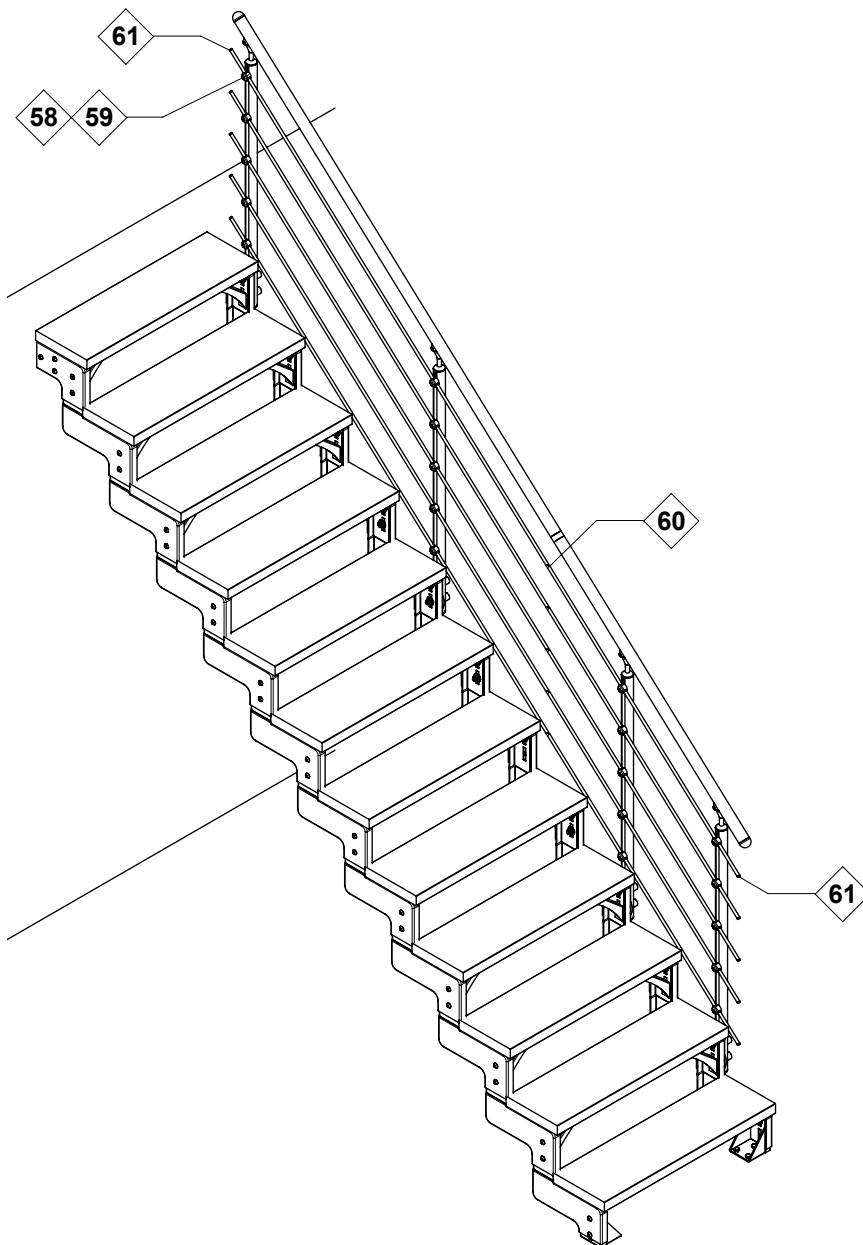
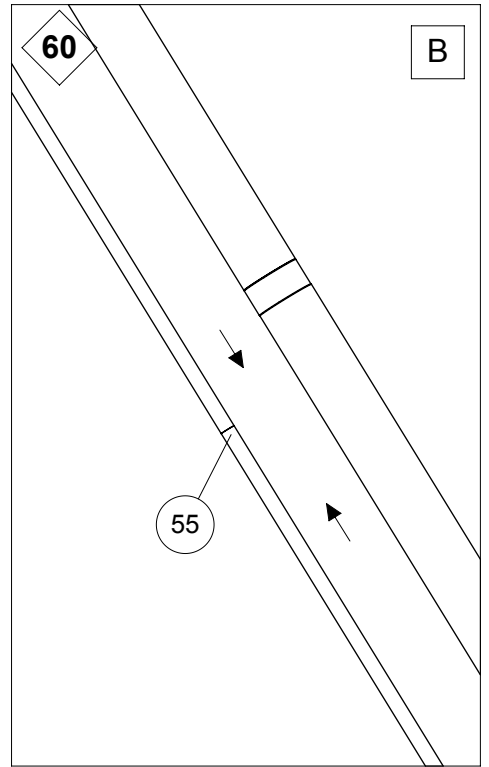
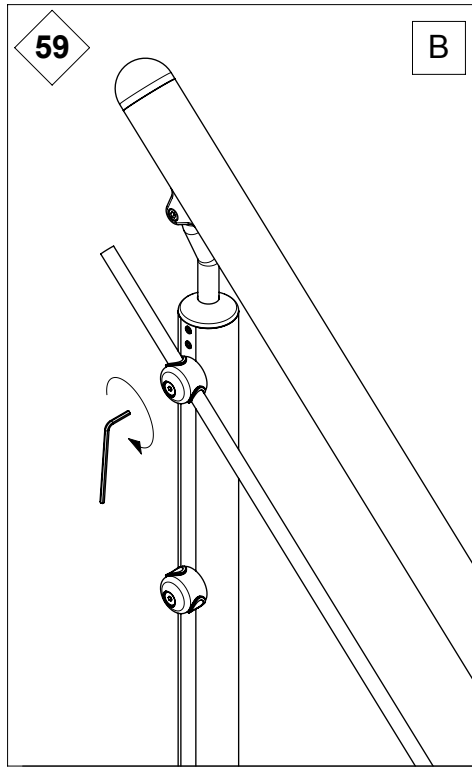
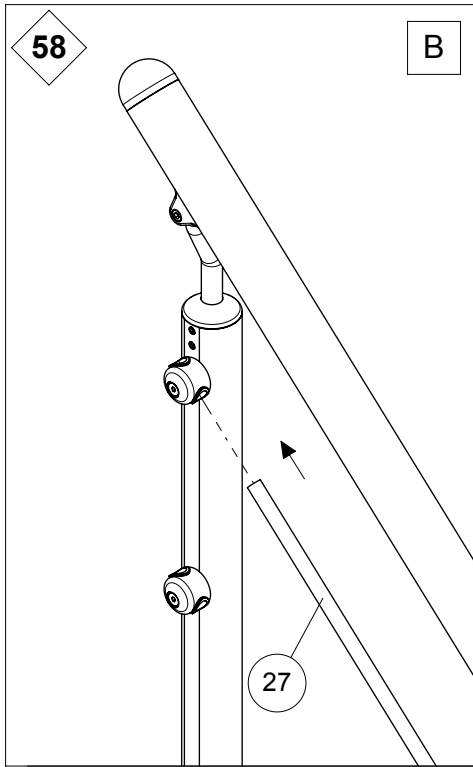



52

B








We recommend
using a support
column from 8 treads
and if $W = 100$ cm

Ab 8 Stufen und $W =$
 100 cm empfehlen
wir eine Abstützung
der Treppe

